

END CAP



M8026	1/2"
M8027	3/4"
M8028	1"

MANUAL VALVE



M8038	1/2"
M8039	3/4"
M8040	1"

SINGLE PORT NPT OUTLET



M3810	1/2"x1/4" out
M7510	3/4"x1/2" out

SINGLE PORT NPT OUTLET WITH SHUTOFF



M3810V	1/2"x1/4" out
M7510V	3/4"x1/2" out

DUAL PORT NPT OUTLET



M8200	1/2"x (2) 1/2" out
M8201	3/4"x(2) 1/2" out
M8203	1"x(2) 1/2" out

DUAL PORT NPT OUTLET WITH SHUTOFF



M8200V	1/2"x (2) 1/2" out
M8201V	3/4"x(2) 1/2" out
M8203V	1"x(2) 1/2" out

BEVEL TOOL

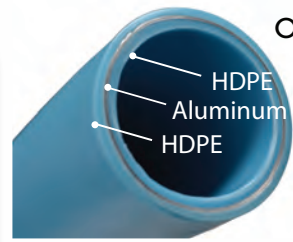


M8095	1/2"- 3/4"- 1"
-------	----------------

CUTTER



M8091	1/2"-3/4"
M8051	1"



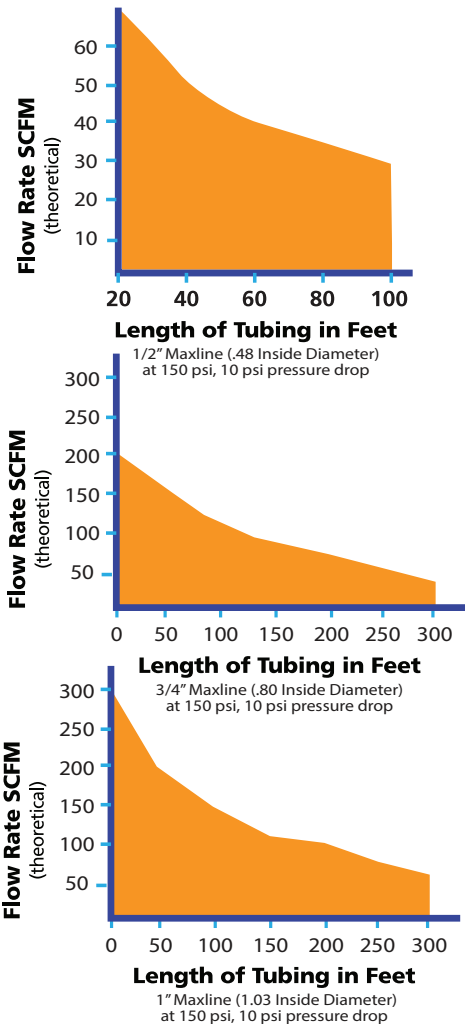
Operating Pressure
175 psi at 70°F
140 psi at 140°F

Meets OSHA guidelines

Temperature range
-40°F to 140°F

Compatible with common compressor oils

Tubing Flow Rates



- Nickel plated brass
- Double o-ring design
- Split ring allows disassembly
- No expensive tools required

Tools and installation



1) CUT the tubing square with the cutter, ROTATING wrist while cutting



2) BEVEL the inside of the tubing by inserting the reaming tool and rotating it at least 3 full turns. Remove nut and split ring from fitting and place on tubing



3) PUSH the fitting onto the tubing and fully against the shoulder of the fitting (soapy water will help this process)



4) TURN the nut finger tight. Put a reference mark on the nut and fitting body



5) TIGHTEN nut with wrench a minimum of 3/4 of a turn or until tight

Engineered
Specialties LLC

Arpin, Wisconsin

1-800-954-3310 • www.rapidairproducts.com

WARNINGS:

- Compressed air is dangerous if not used properly.
- Do not point compressed air source at any part of your body or at any person.
- Always use eye protection when using compressed air.
 - Turn off compressor when not in use.
- CA Prop 65: This product contains chemicals known to the state of California to cause cancer and birth defects or other reproductive harm

RAPIDAIR

MaxLINE

Compressed Air Piping System



Industrial Sizes
1/2", 3/4" and 1"

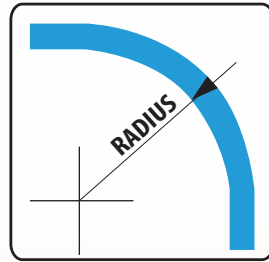
Maxline is an industrial compressed air piping system that is:

- fast and easy to install
- cost effective
- leakproof
- corrosion resistant

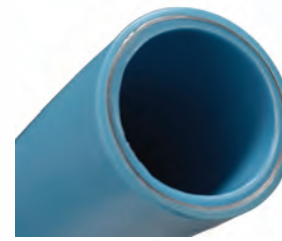
Maxline's multilayer construction can be easily bent by hand and maintain its desired shape, giving a professional appearance with no tubing sag. 100 ft and 300 ft rolls allow for faster installation times, with fewer joints. Its smooth interior walls will never build up scale or rust making it an efficient air system.

Maxline piping can be mounted on wall surfaces, in wall for new construction and be directly buried under ground or concrete. This system is easily configured and can be re-modified.

Maxline fittings are nickel plated brass designed for years of long term performance. Its double o-ring compression design is engineered to be a leakproof system, that can be easily disassembled and reused.

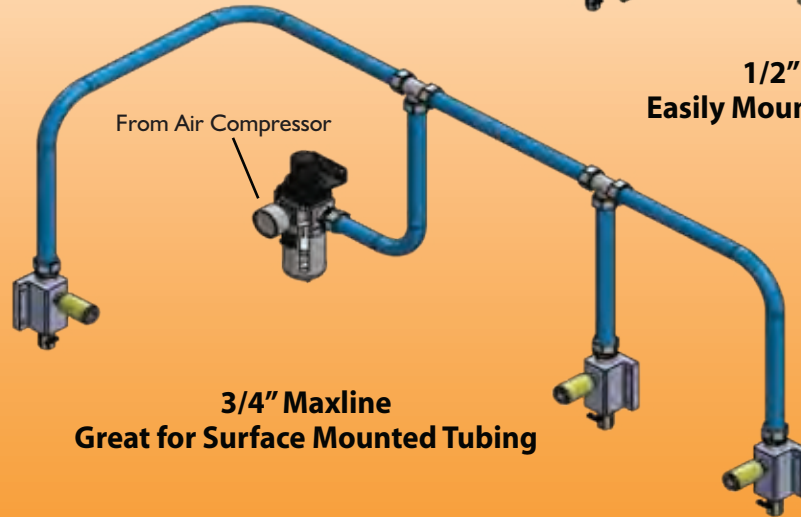


Bend Radius for:
 1/2" Maxline: 4-6 inches
 3/4" Maxline: 6-8 inches
 1" Maxline: 10-12 inches

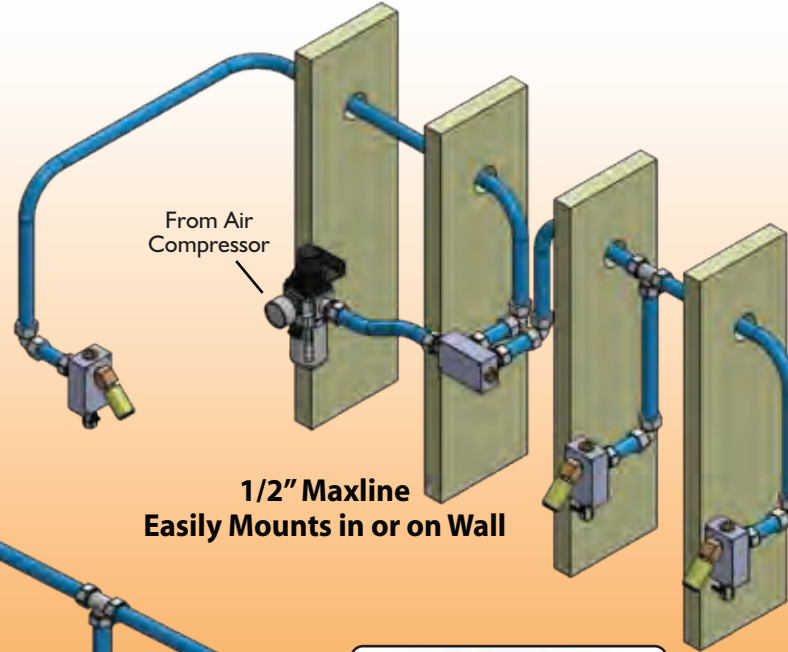


Use 1" MaxLine for:
 - burial
 - long tubing runs
 - hidden tubing installations

Maxline will hold any bent shape



3/4" Maxline
Great for Surface Mounted Tubing



1/2" Maxline
Easily Mounts in or on Wall



Tubing
 1/2", 3/4" and 1" sizes
 100 ft and 300 ft rolls



Surface Mount



Exterior Mount



Hidden Tubing



Dual Port

	TUBING	M6026	1/2"	100ft
		M6027	1/2"	300ft
		M6030	3/4"	100ft
		M6031	3/4"	300ft
		M6032	1"	100ft
	M6033	1"	300ft	
	PIPE CLIP 10/PK	M8064	1/2"	
		M8065	3/4"	
		M8066	1"	
	UNION	M8021	1/2"	
		M8022	3/4"	
		M8023	1"	
		M8024	3/4"x1/2"	
		M8025	1"x3/4"	
	ELBOW	M8080	1/2"	
		M8067	3/4"	
		M8068	1"	
	TEE	M8010	1/2"	
		M8011	3/4"	
		M8012	1"	
	REDUCING TEE	M8014	3/4"x1/2"	
		M8016	1"x1/2"	
		M8018	1"x3/4"	
	REDUCING TEE NPT	M8019	1/2"x1/2"NPT	
		M8078	3/4"x1/2"NPT	
	MALE NPT	M8001	1/2"x3/8"NPT	
		M8002	1/2"x1/2"NPT	
		M8005	3/4"x1/2"NPT	
		M8003	3/4"x3/4"NPT	
		M8015	1"x3/4"NPT	
		M8004	1"x1"NPT	
	FEMALE NPT	M8006	1/2"x1/2" Female NPT	
		M8007	3/4"x3/4" Female NPT	