



ATD-2059

HEADLIGHT LENS AND METAL & WHEEL POLISHING KIT

General Safety Warning and Precautions

WARNING: When using this tool, basic safety precautions should always be followed to reduce the risk of personal injury and damage to equipment. Read all warnings and instructions before using this tool.

- Always wear ANSI approved safety goggles and ear protection when working with tools and equipment.
- Observe work area conditions. Keep work area clean. Cluttered areas invite injuries. Do not use tool in damp or wet locations. Don't expose tool to rain. Keep work area well lighted.
- Keep children away from work area. Do not let them handle tool.
- When not in use, tool must be stored in a dry location to inhibit rust. Always lock up tool and keep it out of the reach of children.
- Do not force tool. It will do the job better and more safely at the rate for which it was intended. Do not use inappropriate attachments in an attempt to exceed the tool capacity.
- Use the right tool for the job. Do not modify this tool and do not use this tool for a purpose for which it was not intended.
- Dress properly. Do not wear loose clothing or jewelry as they can be caught in moving parts. Non-skid footwear is recommended when working. Wear restrictive hair covering to contain long hair.
- Do not overreach. Keep proper footing and balance at all times. Do not reach over or across running tool.
- Maintain tool with care. Follow instructions for lubricating and changing accessories. Inspect tool periodically and, if damaged, have them repaired by an authorized technician or replaced.
- Do not operate any tool when you are tired or under the influence of alcohol or drugs. Read warning labels on prescriptions to determine if your judgment or reflexes are impaired while taking drugs. If there is any doubt, do not operate the tool.
- Check for damaged parts. Before using any tool, any part that appears to be damaged should be carefully checked to determine that it will operate properly and perform its intended function. Any part that is damaged should be properly repaired or replaced.
- When servicing, use only identical replacement parts. Use of any other parts will void the warranty. Only use accessories intended for use with this tool.
- Maintenance. For your safety, service and maintenance should be performed regularly by a qualified technician.

NOTE: The warnings and cautions discussed in this instruction manual cannot cover all possible conditions and situations that may occur. It must be understood by the operator that common sense and caution are factors which cannot be built into this product, but must be supplied by the operator.

SPECIFICATIONS:

- Air Buffer Tool: Free Speed: 2500 rpm
Working Air Pressure: 90psi
Air Consumption.: 4 cfm
Air Inlet: 1/4" NPT
Overall Length: 8-3/5" (220mm)
Net Weight: 1.65lb. (750g)
Air Hose I.D. Size: 3/8" (10mm)
- 2" & 3" 100% Cotton Tapered Buff: Great for Tight, Recessed Area
- 3" & 4" Scuff Mushroom Shaped Buff: For Removing Clear Coats & Smoothing out rough metals
- 3" & 4" 100% Cotton Mushroom Shaped Buff: For Buffing in Tight Quarters and recessed areas
- 2" 100% Cotton Drum Buff: Great for Flat Surfaces & Wheel Rim Edges
- Brown Rouge: Great for Mild Metals, Aluminum, Pewter, Pot Metals, Brass, Copper, etc...
- White Rouge: Perfect for Bringing the Shine out on all Metals
- Blue Rouge: Perfect for Headlamp Covers and other Plastics
- **MUST USE TOOL AT LOW SPEED (1800 RPM MAX) FOR PLASTICS**



INSTRUCTIONS FOR USE:

- If your air supply does not have a lubricator in line with it, be sure to drop a few drops of air tool oil into the air inlet of the tool before connecting your air supply, and before each use. (Figure 1)
- Connect 1/4" NPT air hose to air tool making sure your compressor is large enough to operate this tool within the given specifications as listed on page 2. Make sure that your hose connection is tight, but do not over tighten it.
- To attach and release accessories, simply push forward on the retaining ring on the quick change coupler, insert desired buffing attachment and release retaining ring until it snaps back into place. (Figure 1) Pull on attachment to ensure that it is tight before use.
- **IMPORTANT: MUST USE TOOL AT LOW SPEED (1800 RPM MAX) FOR PLASTICS**



FIGURE 1

- To operate, push safety lever forward and depress throttle lever. (Figure 2)



FIGURE 2

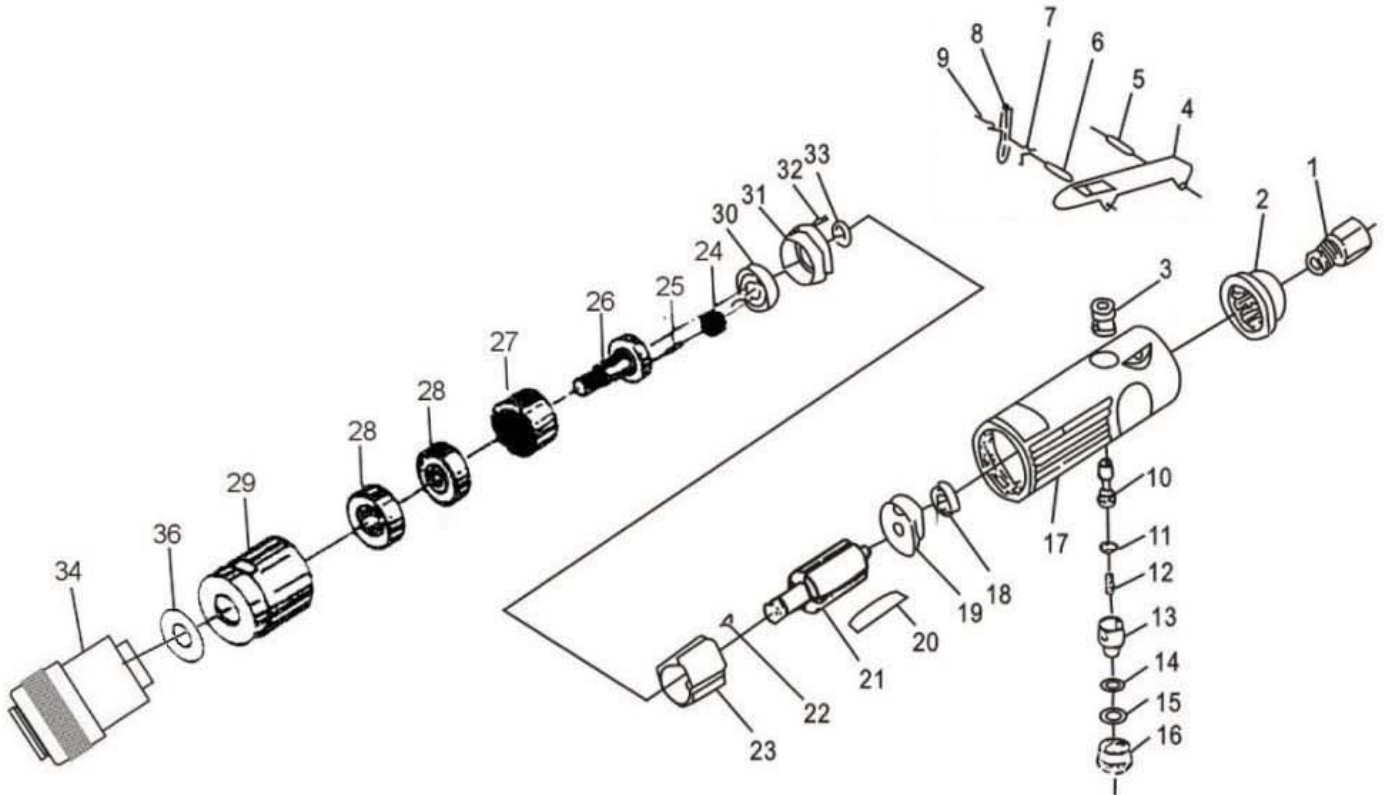
- To adjust air consumption, turn center screw on the opposite side of the trigger in either direction to obtain desired operation. (Figure 3)



FIGURE 3



ATD-2059 (kit) ATD-2060 (tool)



ITEM#	ORDERING PART#	PART DESCRIPTION
1	PRT2060-01	INLET BUSHING
2	PRT2060-02	EXHAUST DEFLECTOR
3	PRT2060-03-17	HOUSING W/VALVE
4	PRT2060-04-09	THROTTLE LEVER ASSY
5	PRT2060-04-09	SPRING PIN
6	PRT2060-04-09	THROTTLE LEVER ASSY
7	PRT2060-04-09	THROTTLE LEVER ASSY
8	PRT2060-04-09	THROTTLE LEVER ASSY
9	PRT2060-04-09	THROTTLE LEVER ASSY
10	PRT2060-10	THROTTLE VALVE W/O-RING
11	PRT2060-10	THROTTLE VALVE W/O-RING
12	PRT2060-12	SPRING
13	PRT2060-13	AIR REGULATOR
14	PRT2060-14	O-RING
15	PRT2060-15-16	VALVE SCREW W/O-RING
16	PRT2060-15-16	VALVE SCREW W/O-RING
17	PRT2060-03-17	HOUSING W/VALVE
18	PRT2060-18-22	ROTOR ASSY

ITEM#	ORDERING PART#	PART DESCRIPTION
19	PRT2060-18-22	ROTOR ASSY
20	PRT2060-20	ROTOR BLADE (SET OF 5)
21	PRT2060-21	ROTOR
22	PRT2060-18-22	ROTOR ASSY
23	PRT2060-23	CYLINDER
24	PRT2060-24	PLANETARY GEAR
25	PRT2060-25-28	SPINDLE ASSY
26	PRT2060-26-28	SPINDLE ASSY
27	PRT2060-27	INTERNAL GEAR
28	PRT2060-25-28	SPINDLE ASSY
29	PRT2060-29	CLAMP NUT
30	PRT2060-30-32	BEARING END PLATE ASSY
31	PRT2060-30-32	BEARING END PLATE ASSY
32	PRT2060-30-32	BEARING END PLATE ASSY
33	PRT2060-33	WASHER
34	PRT2060-34	QUICK CHANGE COUPLER
n/a	PRT2060-35	REPAIR KIT*
36	PRT2060-36	WASHER

* REPAIR KIT INCLUDES: 11, 14, 15, 18, 20 (X4), 24, 26, 27, 28 (X2), 30, 32, 33