

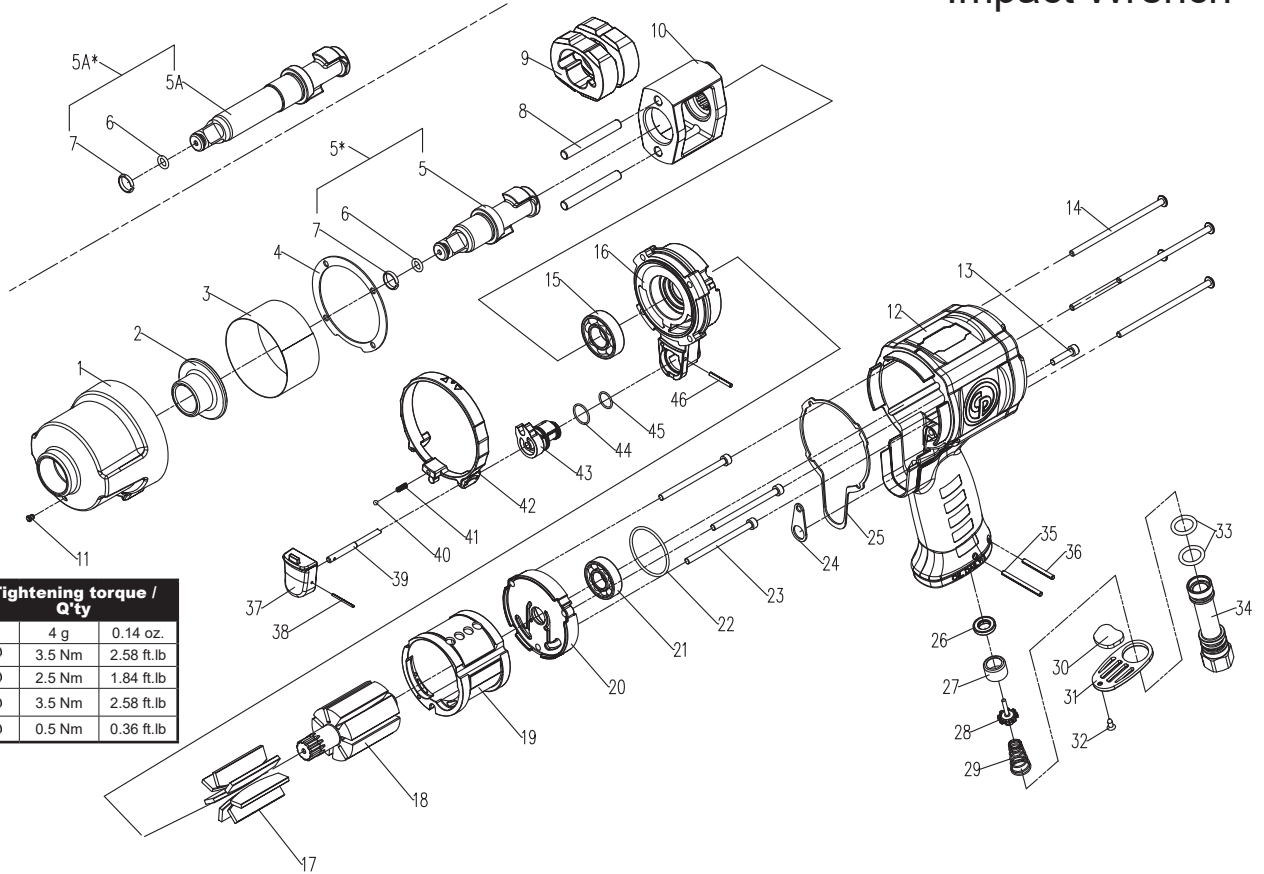


**Chicago  
Pneumatic**

**CP7748 & CP7748-2**

**Model G**

**Impact Wrench**



Item	Glue / grease	Tightening torque / Q'ty
10	Clutch grease	4 g 0.14 oz.
13		3.5 Nm 2.58 ft.lb
14	Loctite 222	2.5 Nm 1.84 ft.lb
23		3.5 Nm 2.58 ft.lb
32	/	0.5 Nm 0.36 ft.lb

Item No.	Part No.	Description	Q'ty
5	2050521363	Anvil Unit (5*)	1
5A	2050526443	Anvil Long (5A*)	1
8	2050521123	Hammer Frame Pin (Set Of 2)	1
9	2050521133	Hammer (Set Of 2)	1
10	8940176003	Hammer Frame	1
17	8940176019	Blades (Set of 7)	1
18	8940176007	Rotor	1
19	8940176008	Cylinder	1
<b>A</b>	<b>8940171601</b>	<b>Socket Retainer Kit (Set Of 5)</b>	
6		O - Ring 5.8x1.9	1
7		Socket Retainer	1
<b>B</b>	<b>8940176020</b>	<b>Gasket Kit</b>	
4		Hammer Case Gasket	1
24		Packing-Front Bearing Plate	1
25		Front Bearing Plate Gasket	1
<b>C</b>	<b>8940176021</b>	<b>Clutch Housing Kit</b>	
1		Hammer Case	1
2		Hammer Case Bushing	1
3		Steel Ring	1
4		Hammer Case Gasket	1
11		Hammer Case Grease Fitting	1
<b>D</b>	<b>8940176022</b>	<b>Front End Plate Kit</b>	
13		Hex.Soc.Hd.Bolt	1
15		Bearing 6002ZZ	1
16		Front End Plate	1
24		Packing-Front Bearing Plate	1
25		Front Bearing Plate Gasket	1
46		Spring Pin	1
<b>E</b>	<b>8940176023</b>	<b>Rear End Plate Kit</b>	
20		Rear End Plate	1
21		Bearing 6001	1
22		O-Ring 33.05x1.78	1
23		Hex.Soc.Hd.Bolt	3
<b>F</b>	<b>8940176024</b>	<b>Throttle Valve Kit</b>	
26		Seal	1
27		Bushing	1
28		Tip Valve	1
29		Spring	1

Item No.	Part No.	Description	Q'ty
<b>G</b>	<b>8940176052</b>	<b>Exhaust Deflector Kit</b>	
30		Muffler	
31		Exhaust Deflector	
32		Tap Bolt	
<b>H</b>	<b>8940176025</b>	<b>Inlet Kit</b>	
33		O-Ring 12.6x2.5	2
34		Air Inlet	1
35		Spring Pin 36x3	1
36		Spring Pin 28x3	1
<b>I</b>	<b>8940176026</b>	<b>Trigger Kit</b>	
37		Trigger	1
38		Spring Pin 20x1.5	1
39		Trigger Tip	1
<b>J</b>	<b>8940176027</b>	<b>Reverse Ring Kit</b>	
40		Steel Ball Diam. 3	1
41		Positioning Spring	1
42		Reverse Ring	1
<b>K</b>	<b>8940176028</b>	<b>Reverse Valve Kit</b>	
43		Reverse Valve	1
44		O-Ring 13x1	1
45		O-Ring 8x1	1
46		Spring Pin 20x2.5	1
<b>L</b>	<b>8940176029</b>	<b>Housing Kit</b>	
		Included 12, 26, 27, 28, 29, 30, 31, 32, 33(x2), 34, 35 & 36	
<b>M</b>	<b>8940176030</b>	<b>Screw Kit</b>	
		Included 13, 14(x4) & 23(x3)	
<b>N</b>	<b>8940176031</b>	<b>Tune Up Kit</b>	
		Included 17, 22, 26, 30, 33(x2), 44 & 45	
<b>O</b>	<b>8940176032</b>	<b>Small Parts Kit</b>	
		Included 11, 32, 35, 36, 38, 40, 41 & 46	

	8950900061	Warning Label
--	------------	---------------

**Recommended Accessories**

<p><b>Oil for motor lubrication</b> CA149661 (4 oz - 0.12 l) CA000046 (20,8 oz. - 0, 59 l) P089507 (1 gal - 3.8 l)</p>	<p><b>Protective Cover</b> 8940175618</p>
--	---

Spare parts without part number are not sold separately  
Contact us at [www.cp.com](http://www.cp.com)

26/10/2018  
8940175528 Rev. : 01