

# Air Impact Wrench

2235MAX Series



---

## Product Parts Information



**Save These Instructions**

When tool life has expired, it is recommended to:

- disassemble the tool
- degrease the tool
- separate tool parts by material for correct recycling

Tool repair and maintenance should be conducted by an authorized service center.

Refer all communications to the nearest **Ingersoll Rand** office or distributor.

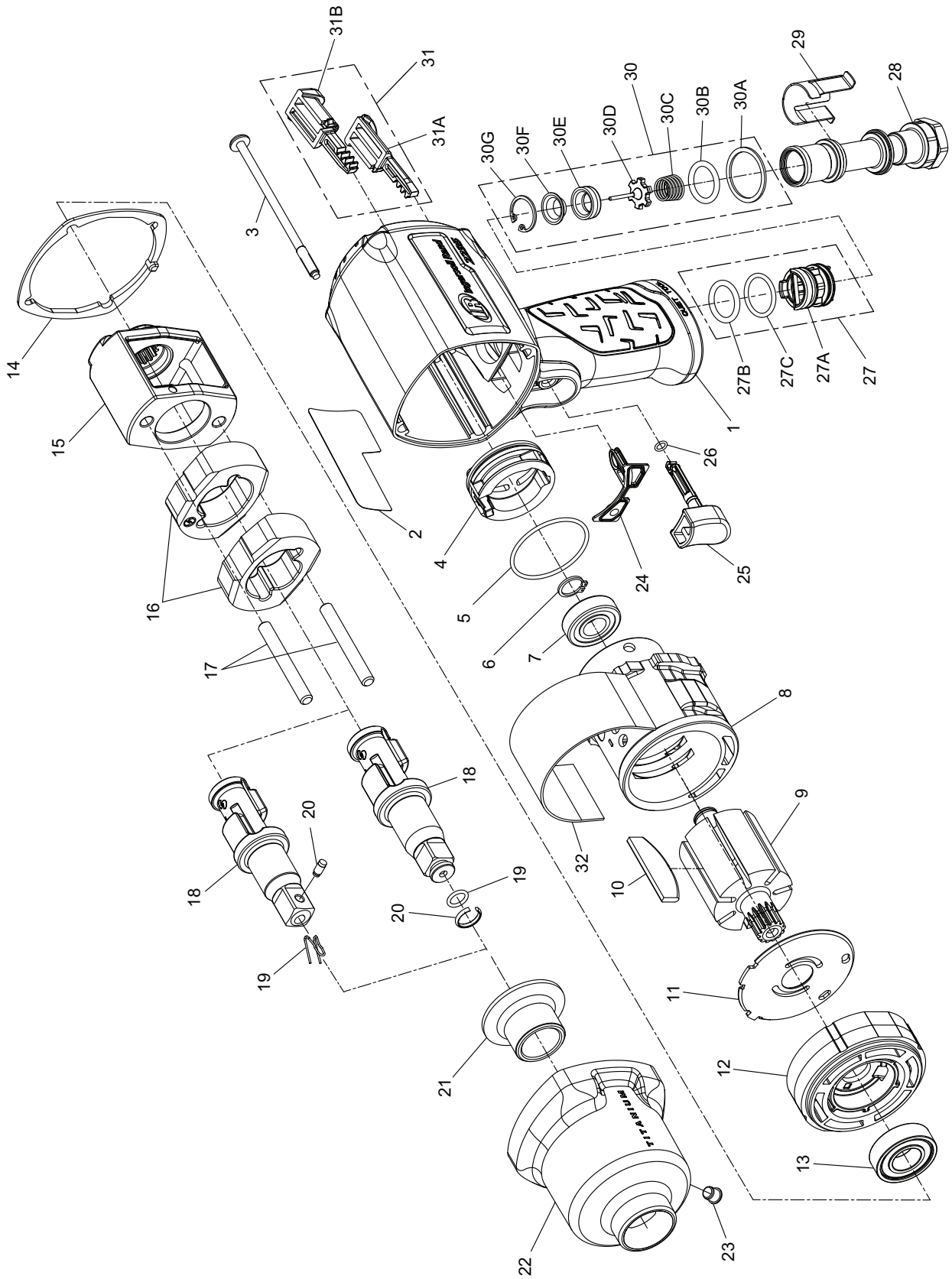
Manuals are available at [ingersollrand.com](http://ingersollrand.com)

**Table 1. Product Information Manuals**

<b>Publication</b>	<b>CCN</b>
Product Safety Information Manual	04580916
Product Information Manual	47517268 and 47668821001
Declaration of Conformity	47616444001

# 2235MAX Series Air Impact Wrench

Figure 1. Exploded View - 47517574



## 2235MAX Series Air Impact Wrench

**Table 2. 2235MAX Series Air Impact Wrench - Parts List**

Item	Part Description	Part Number (CCN)
	Housing Assembly	
	for models 2235TiMAX, 2235TiMAX-2 and 2235PTiMAX	2235MAX-A40 (47517310001)
(a)	for model 2235TiMAX-CAMO	2235MAX-A40 (47517310001)
	for models 2235QTiMAX, 2235QTiMAX-2 and 2235QPTiMAX	2235QMAX-A40 (47517496001)
	for model 2235TiMAX-G	2235MAX-G-A40 (2235MAX-G-A40)
	for model 2235QTiMAX-G	2235QMAX-G-A40 (2235QMAX-G-A40)
	for model 2235TiMAX-O	2235MAX-O-A40 (2235MAX-O-A40)
	for model 2235TiMAX-R	2235MAX-R-A40 (2235MAX-R-A40)
1	Housing	---
2	Nameplate/Warning Label	---
	for models 2235TiMAX, 2235TiMAX-G, 2235TiMAX-O, 2235TiMAX-R, 2235QTiMAX, 2235QTiMAX-G, 2235TiMAX-2, 2235PTiMAX, 2235QTiMAX-2, and 2235QPTiMAX	---
(a)	for model 2235TiMAX-CAMO	---
24	Gasket, Motor	---
27	Reverse Valve Assembly	---
31	Button Kit	---
2	Nameplate/Warning Label	2235MAX-301 (47517308001)
3	Screw, Hammer Case (QTY. 4)	2235-638 (47506531001)
	Power Regulator Assembly	2135-D249A (45523628)
4	Power Regulator	---
5	O-Ring, Power Regulator	---
6	Retaining Ring	2131-6 (04194809)
7	Ball Bearing (Cylinder)	2131-97 (04172813)
8	Cylinder	2235-3 (48423115)
9	Rotor	2235-53 (48416580)
(b) 10	Vane Pack (set of 7)	2235-42-7 (47514377001)
11	Wear Plate	2235-11X (48423131)
12	End Plate	2235-11 (48422075)
13	Ball Bearing (End Plate)	2235-97 (48416614)
(b) 14	Hammer Case Gasket	2235-36RD (47500394001)
	Hammer Mechanism Kit	2235-THK1 (47517319001)
15	Hammer Frame	---
16	Hammer (QTY. 2)	2235-724 (48422018)
17	Hammer Pin	---
	Anvil Assembly	
	for models 2235TiMAX, 2235TiMAX-G, 2235TiMAX-O, 2235TiMAX-R, 2235QTiMAX, 2235QTiMAX-G, and 2235TiMAX-CAMO	2235-A626 (47514376001)
	for models 2235TiMAX-2 and 2235QTiMAX-2	2235-A626-2 (47517656001)
	for models 2235PTiMAX and 2235QPTiMAX	2235P-A726 (47519111001)
18	Anvil	---
	Socket Retainer Kit	---
(b)	Socket Retainer Kit	
	for 1/2" Ring Type	2125QTi-K425 (80107733)
	for 1/2" Ring Type, 10 Pack	2125QTi-K425-10 (47517616001)
	for 1/2" Pin-Type	2125PTi-K425 (80107725)
19	O-Ring or Spring	---
20	Socket Retainer	---

Table 2. 2235MAX Series Air Impact Wrench - Parts List (continued)

Item	Part Description	Part Number (CCN)
	Hammer Case Assembly	2235TiMAX-D727 (47500255001)
21	Bushing, Hammer Case	2135-941 (80092927)
22	Hammer Case	---
23	Grease Fitting	130SR-188 (03039930)
<sup>(b)</sup> 24	Gasket, Motor	2235-283 (47502726001)
<sup>(b)</sup>	Trigger Assembly	2135-D93 (80096704)
25	Trigger	---
26	O-Ring, Trigger	---
27	Reverse Valve Assembly	2131-A329 (04167896)
27A	Reverse Valve	---
27B	O-Ring, Reverse Valve (Top-Black)	---
27C	O-Ring, Reverse Valve (Bottom-Blue)	---
	Inlet Bushing Assembly	2135-D565A (45531787)
28	Inlet Bushing	---
29	Inlet Clip	2131-57 (04167862)
30	Inlet Parts Kit	2135-K303 (45535051)
30A	Washer	---
30B	O-Ring, Seal	---
30C	Throttle Spring	---
30D	Throttle Valve	---
30E	Valve Seat	---
30F	Seat Support	---
30G	Retainer	---
31	Button Kit	2135-K75 (04722245)
31A	Forward Button	---
31B	Reverse Button	---
32	Silencer Wrap for models 2235QTiMAX, 2235QTiMAX-G, 2235QTiMAX-2, and 2235QPTiMAX	2235Q-311 (47517575001)
	Tune-up Kit	2235-TK1 (47517401001)
5	O-Ring, Power Regulator	---
6	Retaining Ring	---
7	Ball Bearing (Cylinder)	---
13	Ball Bearing (End Plate)	---
10	Vane Pack (set of 7)	---
14	Hammer Case Gasket	---
26	O-Ring, Trigger	---
24	Gasket, Motor	---
27B	O-Ring, Reverse Valve (Top-Black)	---
27C	O-Ring, Reverse Valve (Bottom-Blue)	---
30	Inlet Parts Kit	---
<sup>(c)</sup>	Inlet Clip Removal Tool	2131-322 (04263745)
<sup>(b)</sup>	Air Care Kit (grease gun, grease, oil)	115-LBK1 (04616108)
<sup>(c)</sup>	Grease (replacement tube for - LBK1)	115-4T (04616157)
	Air Tool Oil (4 oz. Bottle)	10Z4 (03875671)
<sup>(c)</sup>	Grease (1 lb can)	105-1LB (04279147)
<sup>(c)</sup>	Grease (8 lb can)	105-8LB (04264875)

## 2235MAX Series Air Impact Wrench

---

**Table 2. 2235MAX Series Air Impact Wrench - Parts List (continued)**

<b>Item</b>	<b>Part Description</b>	<b>Part Number (CCN)</b>
(c)	Grease Gun	R000A2-228 (03095015)
(c)	Protective Tool Boot	2235M-BOOT (47520153001)

(a) Standard part only is available as a replacement part. Special edition part is not sold separately.

(b) Indicates common-wear parts. Maintain stock to reduce downtime.

(c) Indicates not illustrated.



