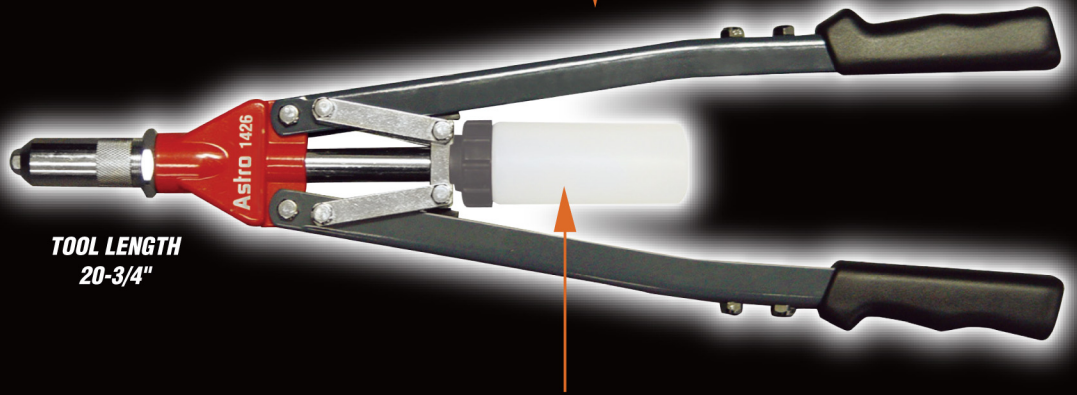




Model # 1426

**1/4"
HEAVY DUTY
HAND RIVETER**

**EXTRA LONG HANDLES
PROVIDE EXCELLENT LEVERAGE**



**TOOL LENGTH
20-3/4"**

**SPENT MANDRELS ARE COLLECTED IN THE PLASTIC CONTAINER
FOR SAFETY AND EASE OF DISPOSAL**

SALES AND MARKETING
2417 SEAMAN AVENUE
SOUTH EL MONTE, CA 91733
Phone: (800) 221-9705
USA Toll Free
Fax: (877) 318-2194
Phone: (626) 228-3170
Fax: (626) 228-3124

372 OLD US HIGHWAY
52 SOUTH
MT. AIRY, NC 27030
(800) 221-9705
Phone: (336) 786-6432

Fax: (336) 786-4992

Model	Includes 5 Nosepieces
1426	1/8", 5/32", 3/16", 7/32", 1/4"

**Model #1426FNP
5-3/4" Extension Nose Piece**

- *This unit allows nose piece of Astro Model # 1426 - 1/4" Heavy Duty Hand Riveter to be extended to 5-3/4"*
- *Unit can be interchanged quickly and easily*



**Not Included but is available
for purchase separately**

 **Astro**
E-mail : astrotools@astrotools.com
WEBSITE : www.astrotools.com



SHOP EQUIPMENT

