



**Astro Pneumatic  
Tool Company**

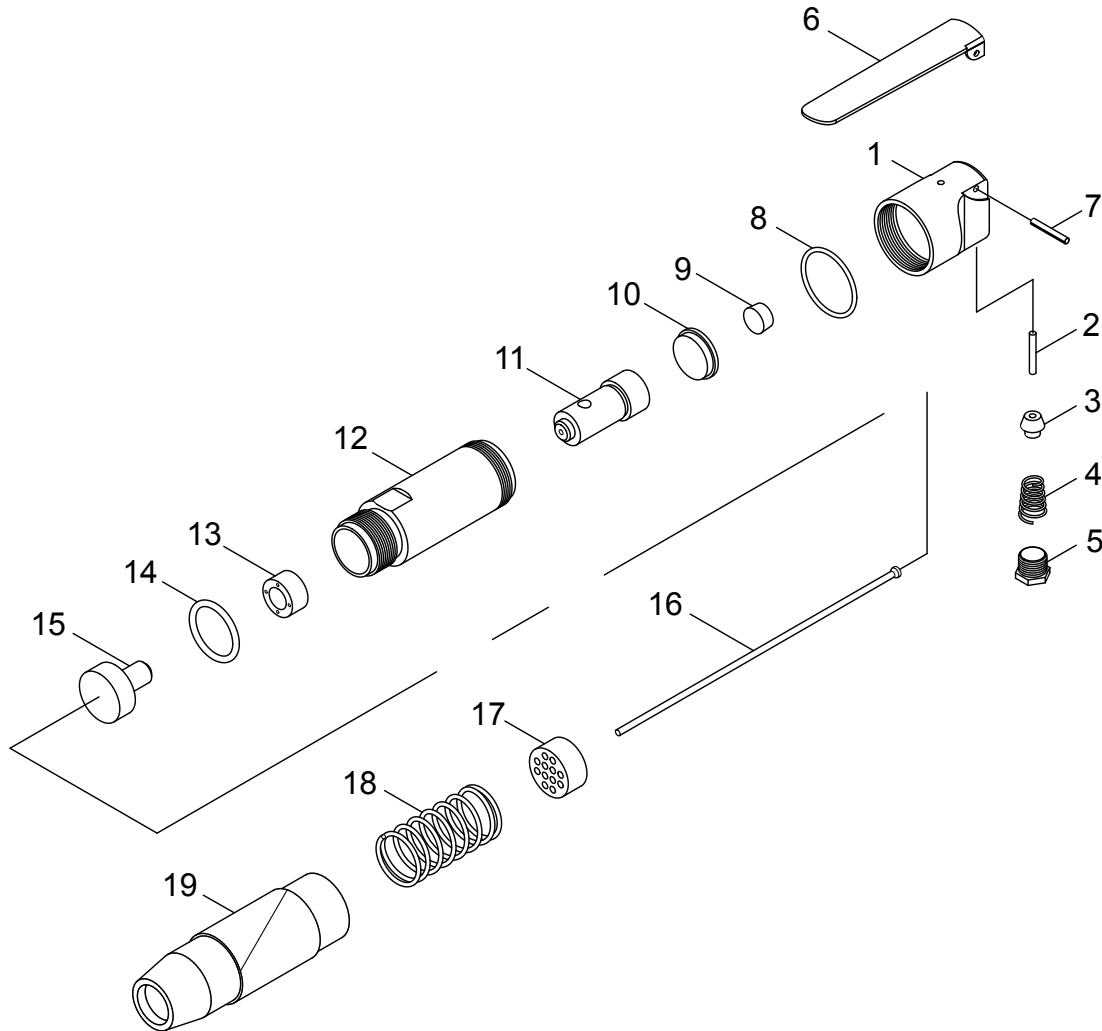
Model:

**4320**

Product Type:

**AIR NEEDLE SCALER**

## PARTS BREAKDOWN



## Parts List

<i>Part No.</i>	<i>Description</i>	<i>Qty</i>
4320-01	Back Head	1
4320-02	Valve Stem	1
4320-03	Valve Seat	1
4320-04	Spring	1
4320-05	Throttle Cap	1
4320-06	Lever	1
4320-07	Spring Pin	1
4320-08	O-Ring, Head & Cylinder	1
4320-09	Rubber Cushion	1
4320-10	Valve Cap	1

<i>Part No.</i>	<i>Description</i>	<i>Qty</i>
4320-11	Piston (20x17x47)	1
4320-12	Cylinder	1
4320-13	Chisel Bush	1
4320-14	O-Ring, Unit & Cylinder	1
4320-15	Needle Driver	1
4320-16	Needle (3x180L)	12
4320-17	Needle Holder	1
4320-18	Needle Holder Spring	1
4320-19	Needle Tube (110L)	1