



**Astro Pneumatic
Tool Company**

372 Old US Highway 52 South
Mount Airy, NC 27030

Model:

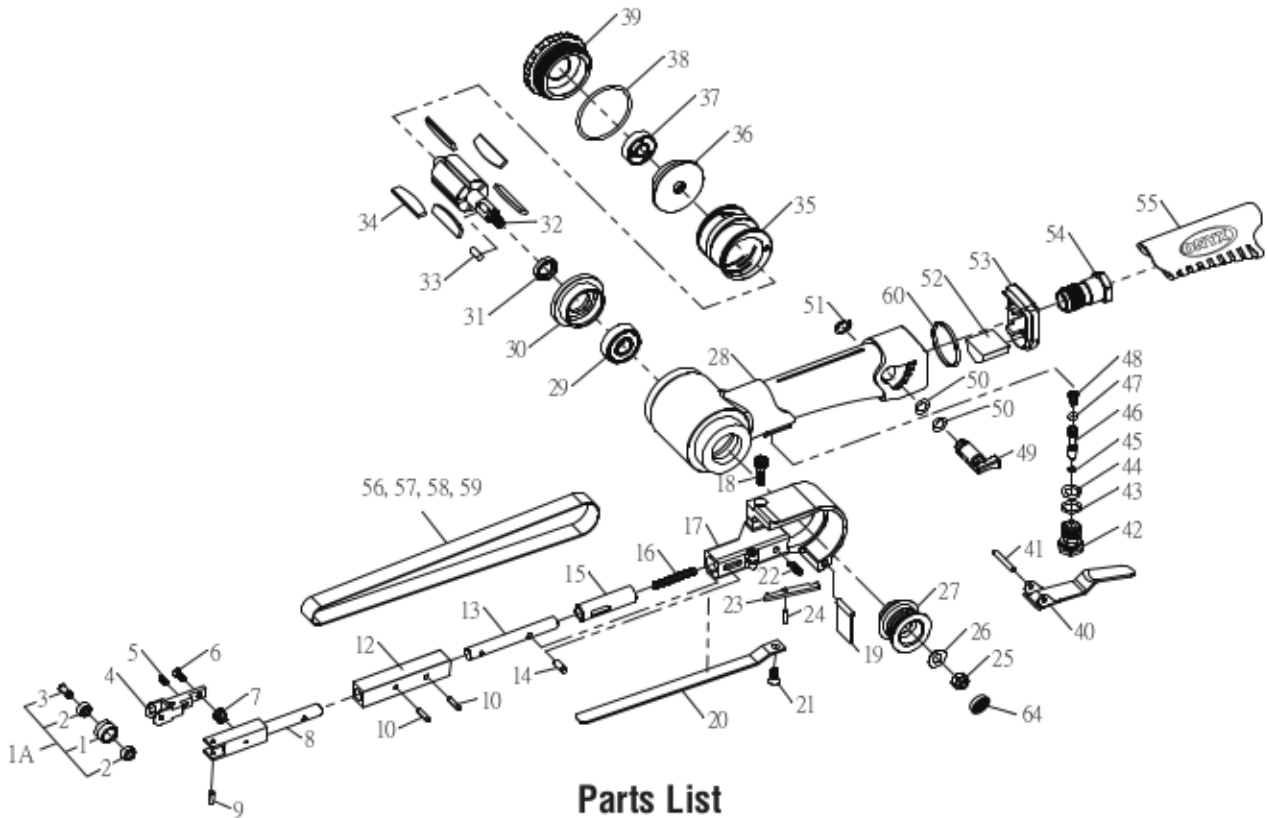
3037

Product Type:

**AIR BELT SANDER
1/2" x 18"**

PARTS BREAKDOWN

Call 1.800.221.9705 for questions concerning performance of the product or other inquiries.



Parts List

Index	Part No.	Description	Qty	Index	Part No.	Description	Qty	Index	Part No.	Description	Qty
1A	3037-01A	Idle Pulley Assembly	1Set	22	3037-22	Stopper Spring	1	42	3037-42	Valve Body	1
1	3037-01	Idle Pulley	1	23	3037-23	Stopper	1	43	3037-43	O-Ring (S11.2)	1
2	3037-02	Ball Bearing (684zz)	2	24	3037-24	Spring Pin (Ø2.5x10)	1	44	3037-44	O-Ring (ID9.8x2.4)	1
3	3037-03	Idle Pulley Screw	1	25	3037-25	Hexagon Nut (M6)	1	45	3037-45	O-Ring (ID3x1)	1
4	3037-04	Bracket 10	1	26	3037-26	Washer (M6)	1	46	3037-46	Valve Stem	1
5	3037-05	Set Screw (M3x8)	1	27	3037-27	Drive Pulley	1	47	3037-47	O-Ring (P3)	1
6	3037-06	Phillips Screw	1	28	3037-28	Housing	1	48	3037-48	Valve Spring	1
7	3037-07	Spring	1	29	3037-29	Ball Bearing (6000ZZ)	1	49	3037-49	Air Regulator	1
8	3037-08	Tension Bar	1	30	3037-30	Front End Plate	1	50	3037-50	O-Ring (P7)	2
9	3037-09	Spring Pin (Ø3x10)	1	31	3037-31	Spacer	1	51	3037-51	Snap Ring	1
10	3037-10	Stopper Pin (Ø3x12)	2	32	3037-32	Rotor	1	52	3037-52	Muffle	1
12	3037-12	Tension Spindle	1	33	3037-33	Parallel Key Both Ends Round 4x4x9.5	1	53	3037-53	Exhaust Diffuser	1
13	3037-13	Dead Hadle	1	34	3037-34	Rotor Blade	5	54	3037-54	Inlet Bushing	1
14	3037-14	Stopper Pin	1	35	3037-35	Cylinder	1	55	3037-55	Housing Cover	1
15	3037-15	Guard Bushing	1	36	3037-36	Rear End Plate	1	56	303740	Sanding Belt 40 Grit	1
16	3037-16	Tension Spring	1	37	3037-37	Ball Bearing (608zz)	1	57	303760	Sanding Belt 60 Grit	1
17	3037-17	Guard Sub Ass'y	1	38	3037-38	O-Ring (S38)	1	58	303780	Sanding Belt 80 Grit	1
18	3037-18	Head Cap Screw (M5x15)	1	39	3037-39	Cap	1	59	3037100	Sanding Belt 100 Grit (Optional)	1
19	3037-19	Dust Cover	1	40	3037-40	Throttle Lever	1	60	3037-60	Ring	1
20	3037-20	Shoe 12	1	41	3037-41	Spring Pin (Ø3x20)	1	64	3037-64	Pulley Cover	1