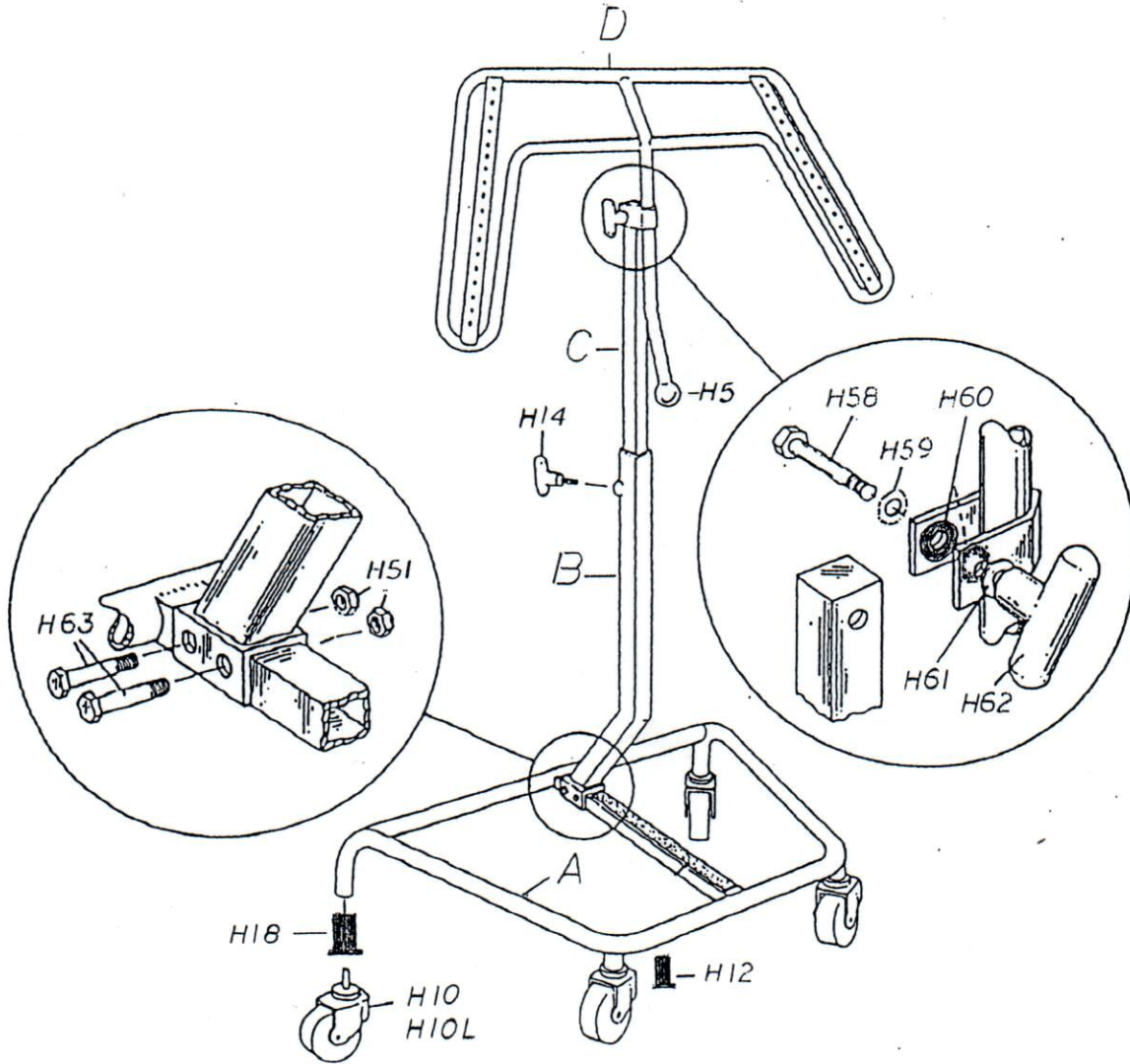




## WT10 Wing Thing – Parts & Assembly Guide



Part #	WT10 Hardware Parts	Qty.
WT10-	Description	
H5	Handle, ball	1
H14	T-Handle 3/8-16 stud type	1
H10	Caster w/brake 3" dia (standard)	4
H10-L	Caster w/brake 4" dia. (optional)	4
H12	Caster socket small	2
H18	Caster socket large	2
H51	Nyloc nut 5/16-18 (upright, legs)	6
H52	Bolt, hex 5/16-18 X 1-3/4 (legs)	4
H58	Bolt, hex 3/8-16 X 2	1
H59	Washer, shakeproof 3/8	1
H60	Washer, black Fiber 3/8	2

Part #	WT10 Hardware Parts	Qty.
H61	Thrust bearing (3 part)	1
H62	T-handle 3/8-16 internal thread	1
H63	Hex bolt, 5/16-18 X 2-1/4	2
EXT01	Ext. bkts (pair w/t-handles, not shown)	1

Part #	WT10 Frame Parts	Qty.
WT10-	Not sold separately	
A	Base	1
B	Upright	1
C	Slider	1
D	Wing top	1