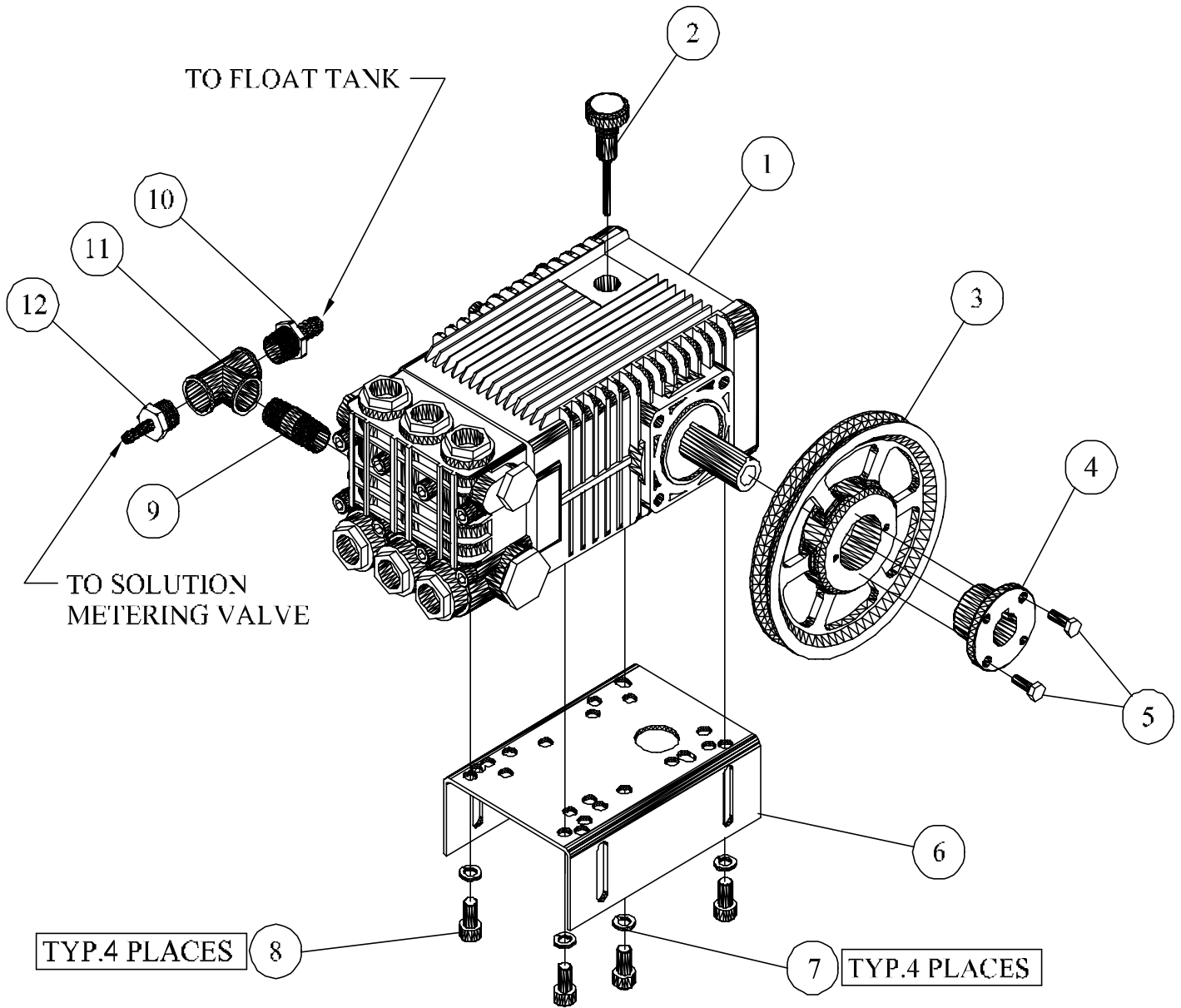


Jenny Products Inc.
 SJ 120 OEP, 115V 60HZ/1PH, N.C, JB

SJ 120, OEP, N/C, JB 115V/60/IPH			
PARTS LIST			
Notes: Figure 20- (common Parts)			
Electrical Dia. Files Jw 103 W/ 3PH			
Jw 104			
ITEM NO.	DESCRIPTION	QTY.	PART NO.
1	CHASSIS, CHANNEL, MAIN, ST, PAINTED, OIL FIRED	1	JD8000
2	ASSY SEE FIG 1-10	1	JB2000
3	ASSY SEE FIG 1-2	1	JB1000
4	ASSY SEE FIG 1-4	1	JD8245
5	TANK,FUEL,BOLT-ON,STEEL,PAINTED,13.3 GAL	1	JD8020
6	CASING,COIL,BOLT-ON,STEEL,PAINTED,LARGE	1	JD8002
7	GROMMET, RUBBER BLACK, 1-1/2 I.D.	2	JP 675
8	POT,FIRE,SS	1	JL 133
9	COIL,OIL,FIRED,3/8"PIPE,SCH40	1	JP2610
10	NIPPLE,STEEL,SCH80,3/8NPTX2-3/4LONG	1	JD 968
11	CORD, SET, FUEL, PUMP	1	JD3306-E
12	TEE,FEMALE,STEEL,PLATED,3/8NPT	1	JD3971
13	PLUG, FUSIBLE, ASSY, 340 DEGREE F	1	JP3921-C
14	HOSE, FUEL, ASSY, 1/4" X 42" L, HPW	2	JD8246
15	TUBING, PVC, REINFORCED, 3/8"ID	3.5'	JD7575
16	ASSY SEE FIG 1-1	1	JD8308
17	PANEL, COVER, REAR, STEEL, PAINTED, NS	1	JD8006
18	WIRE,SJO,CPE,BLACK,14/3	2.5	JE 433
19	CONNECTOR, RELIEF, STRAINER, 1/4-3/8, 1/2NPT	1	JD1687-06
20	BELT, VEE, COG, AX21	1	JD7834
21	PULLEY, CRS, SG, 2.2" OD X 1/2" I.D.	1	JD7835
22	BELT,VEE,COG,AX42	1	JD3950
23	BUSHING, PULLEY, TAPERED, 5/8 BORE	1	JD3915-01
24	STRAINER, CHEMICAL, BRASS, 1/4" HOSE BARB	1	JD7140-A
25	PULLEY, CI, DG, TH, 2BK47H, 3.7 PDA, 4.1PDB	1	JD3904-05
26	ASSY SEE FIG 1-3	1	JD8220-A
27	DISC,INSULATION,CERMC,14-3/8ODX4-1/8X3/8	1	JD7238-A
28	MOLDING, RUBBER, FOAM, ADHESIVE, 1/2WX1/8T	3.5'	JD3782-B
29-A	ASSY SEE FIG 1-5	1	JE2000
29-B	ASSY SEE FIG 1-5	1	JE2002-A
30	ASSY SEE FIG 1-6	1	JD8009
31-A	MOTOR,1HP,115-230/60/1,1725RPM,TEFC,F2	1	JB3003
31-B	MOTOR,1HP,230-460/60/3,1725RPM,TEFC,F2	1	JB3004
31-C	MOTOR,1HP,575/60/3,1725RPM,TEFC,F2	1	JB3005
32	CASTER, SWIVEL, W/BRAKE, 5" DIA X 2" FACE	1	JD3217-01
33	CASTER, SWIVEL, WOUT/BRAKE, 5" DIA X 2" FACE	1	JD3217-02
34	AXLE, CHASSIS, STEEL, PLATED, 3/4" OD X 24" O/L	1	JD8010
35	WHEEL, PNEUMATIC, 10" O.D. X 3/4 I.D., BALL BEARING	2	JP2643-F
36	COLLAR, SCREW, SET, STEEL, PLATED, 3/4" I.D.	2	JD7777
37-A	CORD,DROP,GFCI,120V,15A,40FT	1	JD7179-A
37-B	CORD,DROP,GFCI,240V,15A,40FT	1	JD7179-D
38	WIRE, IGNITION, BURNER, ASSY, 50000V	2	JD8247
39	HOSE,HYD,3K PSI,23"L,3/8NPTM,90D-3/8NPTM	1	JD7542
40	HOSE,HYD,3K PSI,21"L,3/8NPTF,90D-3/8NPTM	1	JD7829
41	TUBING, PVC, CLEAR, 3/8, O.D.X1/4ID	5.5'	JD3087
42	ASSY SEE FIG 20-1	1	JD2162-F
43	RING,CASING,COIL,SS,7-15/16ID	1	JD2140-B
44	COVER, SS, ASSY, OEP, NEW, JB, MACH	1	JD8248
45	RECEPTICAL, CLIP-ON, STEEL, DACROTIZED	6	JP7733-01
46	DECAL, NUMBER, MODEL, SJ 120,BLUE,LARGE	1	JD8482
47	SCREW, SLF, TAP, PHILLIP, ST, PL, 8-32 X 3/8	10	JD3043
48	SCREW, SLF, DRL, HEX, WASHER, PLTD, #10 X 5/8	7	JD7074-A
49	SCREW, FLANGE, HEX, SERR, ST, PL, 1/4-20 X 1/2	12	JD7904-A
50	SCREW, FLANGE, HEX, SERR, ST, PL, 5/16-18 X 1/2	10	JD7905
51	SCREW, FLANGE, HEX, SERR, ST, PL, 5/16-18 X 3/4	4	JD7905-B

52	SCREW, FLANGE, HEX, SERR, ST, PL, 3/8-16 X 3/4	4	JD7906-A
53	SCREW, CAP, HEX, HD, ST, PL, FLT, 3/8-16 X 2-1/4'	2	JD7035
54	SCREW, CARRIAGE, GR5, ST, PL, 3/8X6	2	JD7798
55	SCREW, SLF, TAP, HEX, WASHER, PLATED, 10-32X 1/2	1	JD6219
56	NUT, LOCK, FLANGE, HEX, SERR, STEEL, PLATED, 5/16-18	4	JD7774-E
57	NUT, LOCK, FLANGE, HEX, SERR, ST, PL, 3/8-16	6	JD7774-F
58	CLIP, SEPARATOR, WIRE, IGNITION, 7MM, 2-WIRE	4	JD7831
59	CLIP, SEPARATOR, WIRE, IGNITION, 7MM, 3-WIRE	2	JD7832
60	PLUG, BUTTON, STEEL, PLATED, 7/8'	1	JD1191
61	FILTER, OIL, FUEL, W/HEAD, 3/8NPT	1	JD2117
	FILTER,OIL,FUEL,CARTRIDGE,SPIN-ON	1	JD2117-01
62	CONNECTOR, MALE, BRASS, 1/4-45 SAE X 3/8 NPT	1	JD1277
63	CONNECTOR, MALE, BRASS, 1/4-45 SAE X 1/4 NPT	1	JD 659
64	CLAMP, SLEEVE, PLASTIC, 3/8 IE	4	JD2759
65ASSY SEE FIG 1-7	GUN, SCH 80, N/C,W/O, SWIVEL, ASSY, 3/8'	1	JP4261-H
66	HOSE,COMBINATION,JENNY,3/8X50'	1	JD7624
67	DECAL, NAMEPLATE, OIL, FIRED	1	JD6251-05
68	DECAL, CLEAR, MYLAR	1	JD6251-08
69	CLAMP, HOSE, NYLON, BLACK, .750/.875 DIA	2	JD7859-F
70	CAP, FILLER, FUEL, STEEL, PLATED, 1/4 TURN	1	JD3174
71	PLUG,HEAD,SOCKET,HEX,STEEL,PLATED,3/4"NF	1	JD 877
72	TUBING, COPPER, ASSY, BURNER, F. PUMP-SOL, JB	1	JD1722-U
73	SCREW, PHILLIPS, HEAD, "N". COVER	6	JP7733
74	RETAINER, SCREW, PHILLIPS, HEAD, "N"	6	JP7733-02
75ASSY SEE FIG 1-8	NOZZLE, STEAM, FITTINGS, ASSY	1	
76ASSY SEE FIG 1-8	NOZZLE, STEAM, FAN, ASSY	1	
77	DECAL, DANGER, WARNING, CAUTION, LARGE	1	JD7239
78	DECAL, NOTICE, GROUND, 4MILTHK, 5YRWHT	1	JD2344-01
79	GROMMET, RUBBER, BLACK, 7/16 I.D.	5	JD3385-01
80	GROMMET, RUBBER, BLACK, 5/8 I.D.	2	JD3385
81	HOSE, SOLVENT, NEOPRENE, 1/2"IE	3	JD 946
82	CLAMP,GEAR,WORM,SS,7/16 TO 25/32" DIA.	2	JD3068
NOT SHOWN	TAG, WARNING, ELECTRIC, CORD	1	JD7075
NOT SHOWN	DECAL, CAUTION, FUSIBLE, PLUG, 2 X 3-1/2, LEXAN	1	JD2858
NOT SHOWN	DECAL, PACKED, GROOMED, TESTED	1	JD6013
NOT SHOWN	DECAL, MADE-IN-THE-USA, JENNY	1	JD6211
NOT SHOWN	TAG, TESTED, FUEL	1	JD7196-01
NOT SHOWN	DECAL, FUEL, OIL, MYLAR, BLUE, 1" X 4'	1	JD2345



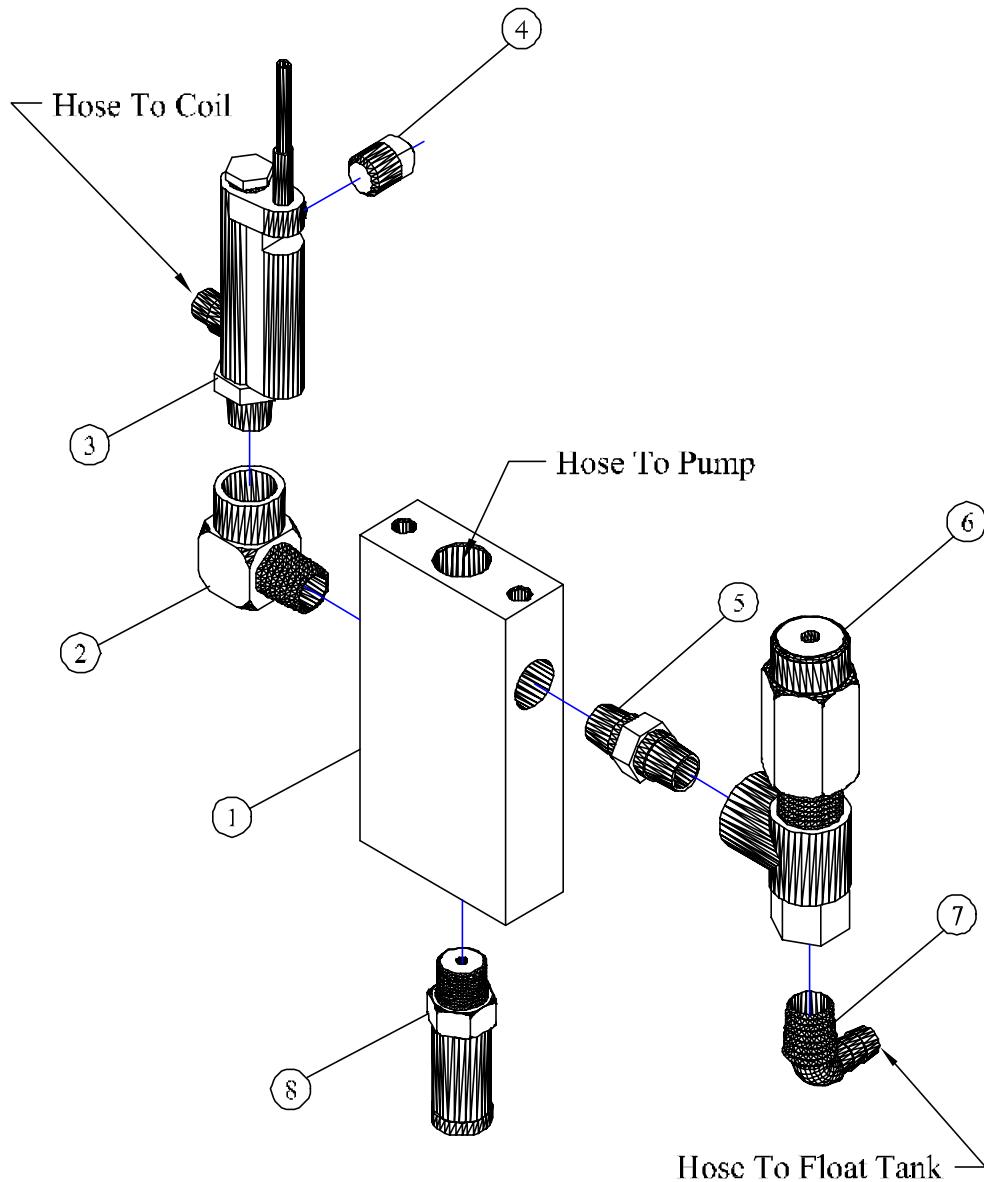
ITEM NO.	QTY.	DESCRIPTION	PART NO.
1	1	PUMP, PLUNGER, TRIPLEX, 2500PSI, 2.9GPM, AR	JD7957
2	1	OIL, DIP, STICK, (RECEIVED W/PUMP)	
3	1	PULLEY, CI, SG, TH, AK71H, 6.7 PDA, 6.36 D3L	JD3904-65
4	1	BUSHING, PULLEY, TAPERED, 24MM BORE	JD3915
5	2	H.H.B.1/4-20 UNC-3/4 CLASS 5 RECEIVED W/BUSHING	
6	1	PLATE, MOUNTING, PUMP, STEEL, PAINTED,	JD8016
7	4	WASHER, LOCK, 5/16	JD 612
8	4	SCREW,CAP,HEX,HEAD,ST,PLATED,M8-1.25 X 16MM	JD7258
9	1	NIPPLE, BRASS, 1/2 NPT X 1-1/2LONG	JD3094-01
10	1	BARB, HOSE, MALE, BRASS, 1/2 HS X 1/2 NPT	JD7077-A
11	1	TEE, FEMALE, BRASS, 1/2 NPT	JD3023
12	1	BARB, HOSE, MALE, BRASS, 1/4 HS X 1/2 NPTM	JD7826

FIGURE 1-1 (Pump, Mounting, Fitting, JD8308, SJ 120 OEP, Ass'y)

**SJ 120, OEP
BURNER, GUN, OIL, DOUBLE, ELECTRODE
JB1000, ASSY**

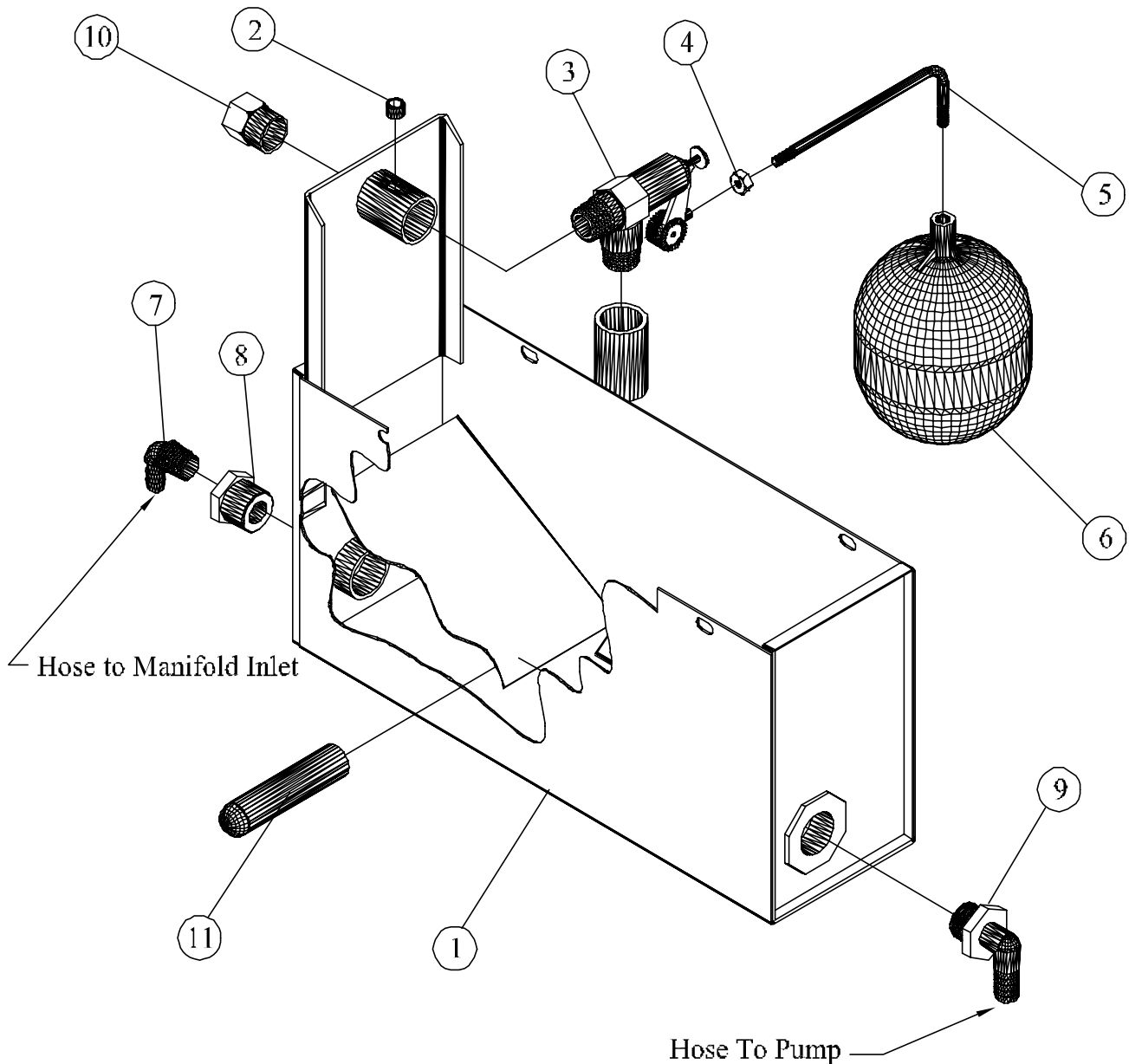
10/4/200

ITEM NO.	DESCRIPTION	QTY.	PART NO.
1	CONE, AIR, MI, 4.0 O.D. X 3.0 I.D. X .875 LONG	1	JB1002
2	TUBE, AIR, STEEL, 4.25 O.D. X 4.0 I.D. X 4.50 LONG ASSY	1	JB1001
3	NOZZLE, BURNER, OIL, 2.25 GPH, 80DEG, S.C.	1	JB1511
4	FLAME LOCK, STAINLESS, 10 VANE, 2.5" CONE	1	JB1007
5	SCREW, SELF TAP, HEX, WASH, STEEL, PLATED, 6-32 X 3/8	1	JB1014
6	ADAPTER, NOZZLE, BRASS, W/LEG, SUPPORT	1	JB1006
7	WHIRLER, STEEL, PLATED, 6 VANE, 3-11/16 O.D.	1	JD1010
8	NIPPLE, STEEL, SCH40, 1/8" NPT X 4" LONG	1	JB1004
9	PLATE, STEEL, PLATED, DISC, SOLID, 3-3/8 O.D.	1	JB1009
10	INSULATOR, ELECTRODE, CERAMIC, GLAZED, 4"	2	JB1015-01
11	CONNECTOR, SPARK PLUG, RAJAH, 100734-002	2	JB1015-04
12	SUPPORT, ELECTRODE, ALUMINUM	1	JB1008
13	CLAMP, ELECTRODE, STEEL, 13 GA. X .5 X 2.0	1	JB1011
14	PLATE, BURNER, STEEL, 14 GA X 5.25 DIAMETER	1	JB1003
15	NUT, WING, STEEL, FORGED, PLATED, 10-24	3	JD2186
16	ELBOW, FEMALE, BRASS, 1/4-45 SAE X 1/8 NPTF	1	JB1018
17	SCREW, SET, HEX, CUP POINT, NYLK, 1/4-20X1/4	1	JE 895
18	COLLAR, STEEL, .875 O.D. X .437 I.D. X .437 LONG	1	JB1005
19	SCREW, MACHINE, HEX, WSHR, ST, PLATED, 10-24 X 5/16	1	JB1013
20	SCREW, SET, HEX, CUP POINT, 10-24 X 1/4	1	JB1012
21	NUT, LOCK, FLANGE, HEX, ST, PL, #6-32	2	JB1015-03
22	ELECTRODE, BENT RADIUS, TUNGSTEN	2	JB1015-02
23	SCREW, SELFTAP, HEX WASH, ST, PL, 4-40 X 3/8	1	JB1016
24	SCREW, MACHINE, PHILLIPS, ST, PL, FL, 8-32 X 3/8	1	JB1017
25	ELECTRODE, 4" CERAMIC, POINTED, BENT RADIUS	2	JB1015



ITEM NO.	QTY.	DESCRIPTION	PART NO.
1	1	MANIFOLD, FITTINGS, STEEL, PLATED, ALL, UNITS	JP7716
2	1	ELBOW, STREET, STEEL, PLATED 3/8 NPT	JD3717-03
3	1	SWITCH, FLOW, SP. ST, NO, 20VA, 3/8 NPTM	JD7279
	1	REPLACEMENT, SWITCH, REED, ASSY, 47" LEAD	JD7279-01
4	1	PLUG, HEAD, SQUARE, BRASS, 1/4 NPT	JD 679-02
5	1	NIPPLE, HEX, STEEL, PLATED, 3/8NPT X 3/8 NPT	JD3716-01
6	1	VALVE, UNLOADER, PSI ACT, REG, 2415PSI, 6.3 GPM	JD3324-Q
7	1	BARB, HOSE, ELBOW, MALE, BRASS, 3/8HS NPT	JD7149
8	1	VALVE, RELIEF, 0-1200 PSI, 160F, 3/8NPTM	JD7048-D

FIGURE 1-3 (Manifold, Fitting, Valve, JD8220-A, SJ 120 Ass'y)



ITEM NO.	QTY.	DESCRIPTION	PART NO.
1	1	TANK, FLOAT, BOLT-ON, JB	JD8015
2	1	PLUG, SOCKET, HEX, BRASS, 1/8NPT	JD7243
3	1	VALVE, FLOAT, BRASS, 60PSI, 1/2"NPTM	JD2988-B
4	1	NUT, HEX, STEEL, PLATED, 1/4-20	JD 791
5	1	ROD, FLOAT, BENT, BRASS, 1/4 X 5-5/8 LG X 1/4-20	JD1416-02
6	1	BALL, FLOAT, PLASTIC, BLACK	JD1416-01
7	1	BARB, HOSE, ELBOW, MALE, BRASS, 3/8HS X 3/8NPT	JD7149
8	1	BUSHING, REDUCER, HEX, BRASS, 3/4 X 3/8	JD3114
9	1	ELBOW, BARB, HOSE, MALE, PLASTIC, 1/2HS X 3/4 NP	JD7058
10	1	CONNECTOR, BR, 3/4 GARDEN HOSE X 1/2NPTM, SWIV	JD7142
11	1	STRAINER, WATER, SS, 30MESH, 47/64 OD X 3-1/8LG	JD3843-B

FIGURE 1-4 (Tank, Float, Fitting, JD8245, SJ 120 Ass'y)

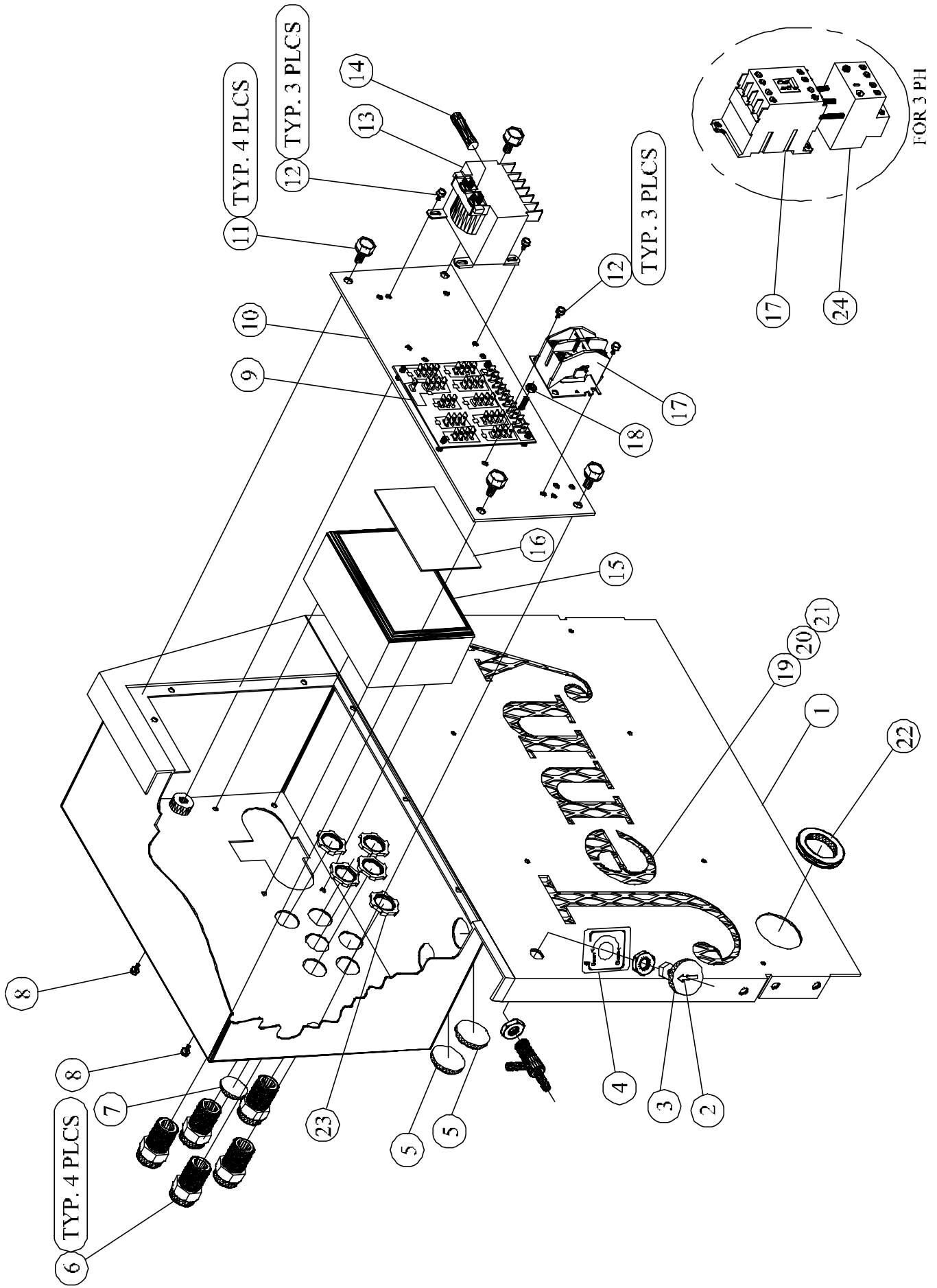
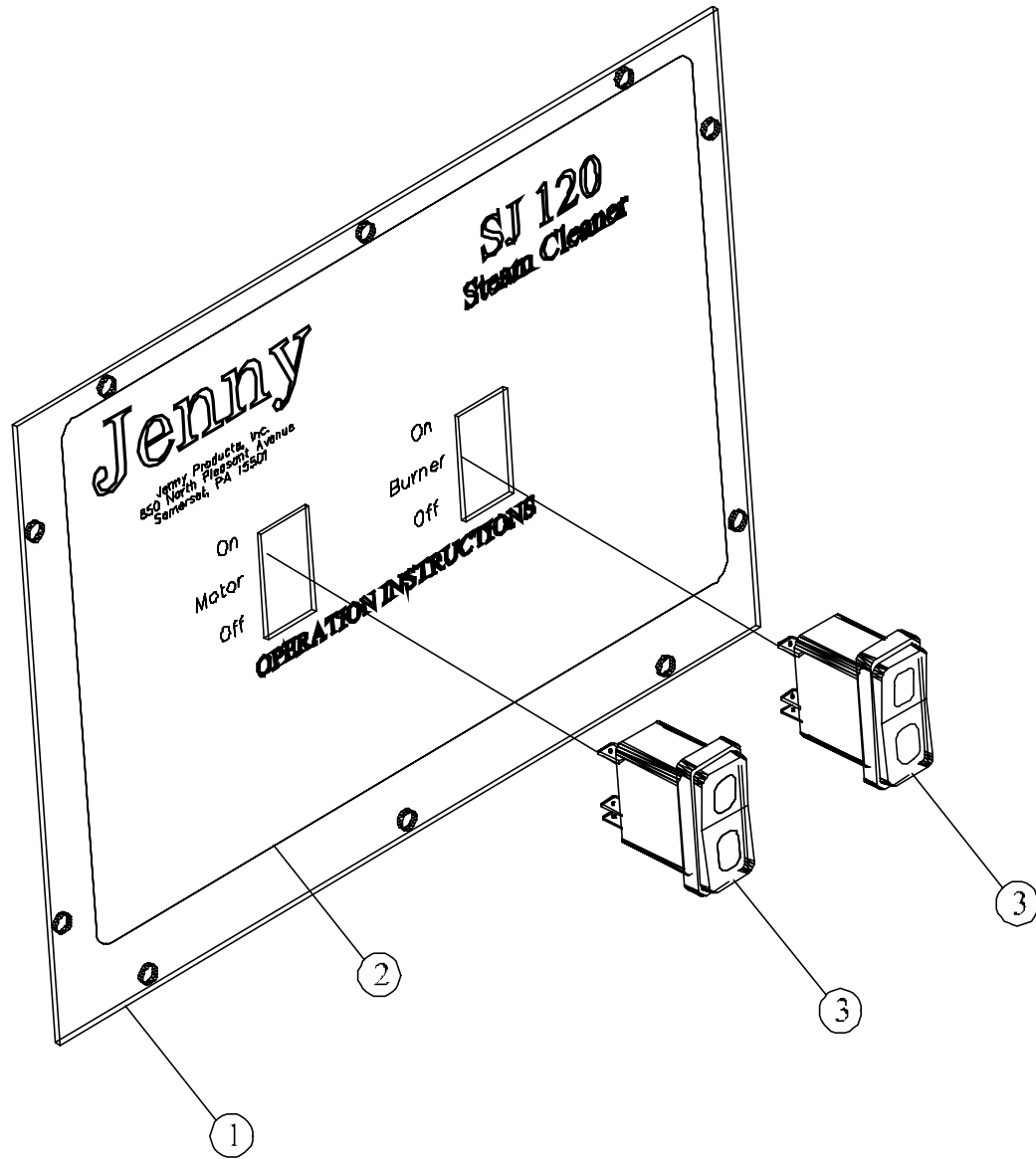


FIGURE 1-5 (Box, Junction, Pancl, Front, 110-220 / 1PH, 30A, JE2000, SJ 120, OEP, Assy)

ITEM NO.	DESCRIPTION	QTY.	PART NO.
1	PANEL, CONTROL, BOX, JUNCTION, STEEL, PAINTED	1	JD8007
2	DECAL, INDICATOR, HANDLE, VALVE, SOLUTION	1	JD7143
3	VALVE, NEEDLE, SOLUTION, BRASS, 1/4 IDHS-BARB	1	JD6248-A
4	DECAL, SOLUTION, METERING, VALVE	1	JD7821
5	PLUG, HOLE, PLASTIC, BLACK, 1.093 HOLE	2	JD3856-05
6	CONNECTOR, RELIEF, STRAINER, 5/8-3/4, 3/4 NPTM	5	JD1687-06
7	PLUG, HOLE, PLASTIC, BLACK, 7/8"	1	JD3856
8	SCREW, FLANGE, HEX, SERR, ST, PL, 6-32 X 3/8	4	JD7900-A
9	BOARD, CIRCUIT, PRINTED, ALL, MACHINE	1	JB5000
10	PLATE, MOUNTING, PANEL, CONTROL, BOX, JNCT, ST	1	JD8008
11	SCREW, FLANGE, HEX, SERR, ST, PL, 1/4-20 X 3/8	4	JD7904
12	SCREW, FLANGE, HEX, SERR, ST, PL, 8-32 X 3/8	6	JD7901-B
13-A	TRANSFORMER, CONTROL, OPN, 100VA, 120-460 VP, 24V	1	JD2868
13-B	TRNSFRMR, CTRL, OPN, 100VA, 600VP, 24VS	1	JD3987-13
14	FUSE, ELEMENT, DUAL, DELAY, TIME, 250V, 6AMP	1	JD3107-11
15	TRANSFORMER, IGNITION, 24V, PRIM, 18000V, SEC	1	JB1502
16	PLATE, NAME, ALUM, TRANSFORMER, IGNITION, 24V	1	JB1502-01
17-A	CONTACTOR, DP, OP, 2P, 30A, 24V	1	JP3530-D
17-B	STARTER, DP, OP, 3P, 30A, 4V, CA7 SERIES 3PH	1	JD7651-W
18	NUT, HEX, STEEL, PLATED, 10-32	1	JD 781
19	SCREEN, COVER, MACHINE, STEEL, PAINTED	1	JP7720-01
20	WASHER, FLAT, SS, 7/8 O.D X 5/32 I.D. X 20 GA	8	JP7720- 03
21	RIVET, AL, .160-.164 HOLE, .063-.125 GRP, 5/32	8	JP7720-02
22	GROMMET, RUBBER, BLACK, 1-1/2 I.D.	1	JP 675
23	NUT, LOCK, CONDUIT, STEEL, PLATED, 1/2"	5	JP 809
24-A	RELAY, OVERLOAD, THERMAL, PLUG-IN, 2.4-4A 3PH	1	JD7651-31
24-B	RELAY, OVERLOAD, THERMAL, PLUG-IN, 1.6-2.4A 3PH	1	JD7651-30
24-C	RELAY, OVERLOAD, THERMAL, PLUG-IN, 1.0-1.6A 3PH	1	JD7651-29



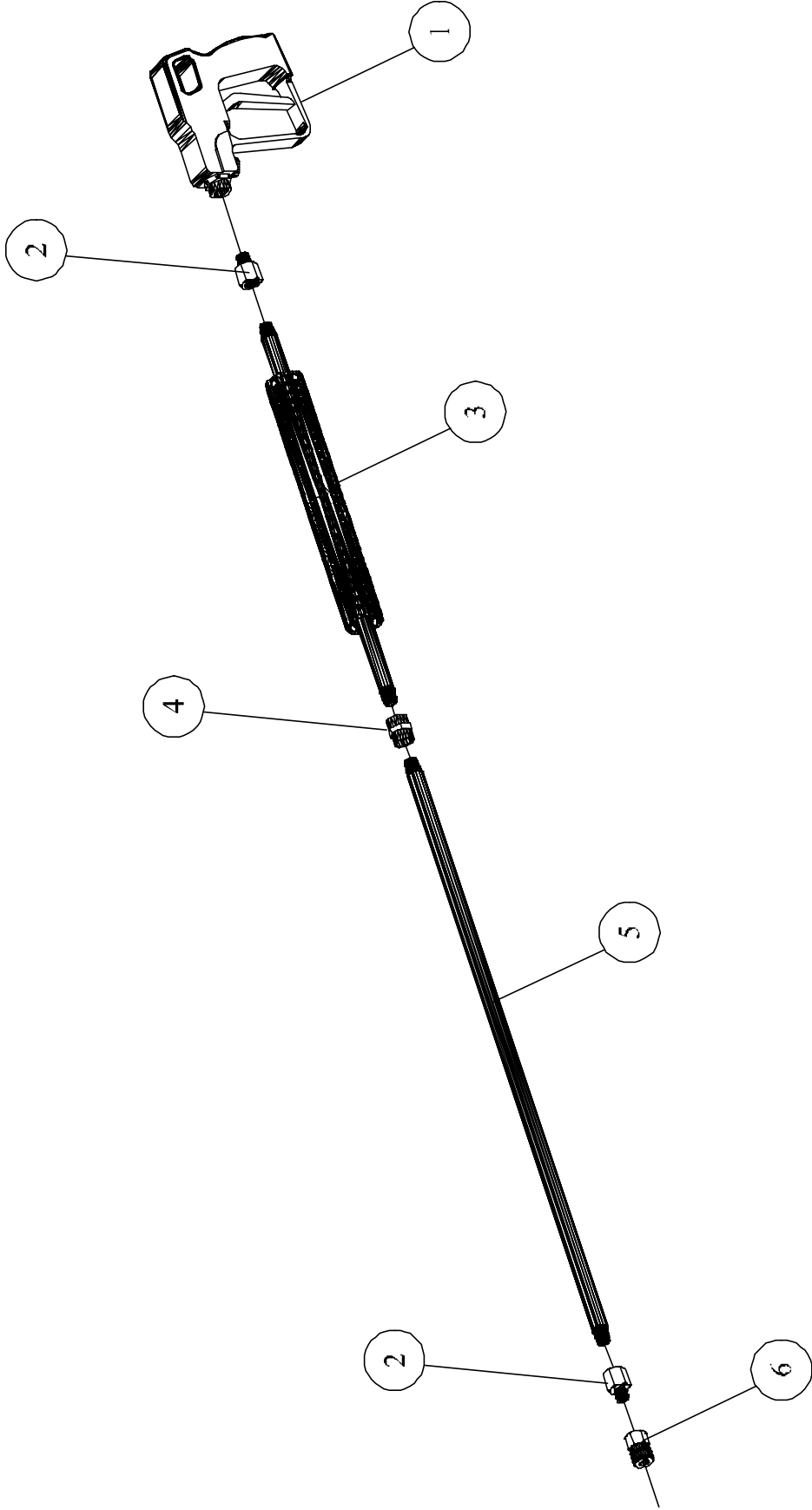
1 PH ONLY

ITEM NO.	QTY.	DESCRIPTION	PART NO.
1	1	PLATE,COVER,PANEL,CONTROL,BOX,JNCTN,HPW	JD8009
2	1	DECAL, PANEL, INSTRUCTION, SJ 120, OEP & GES	JD8432
3	2	SWITCH, ROCKER, SP, ST, 10A, 24V, LED, LIGHT	JE1004

3 PH ONLY

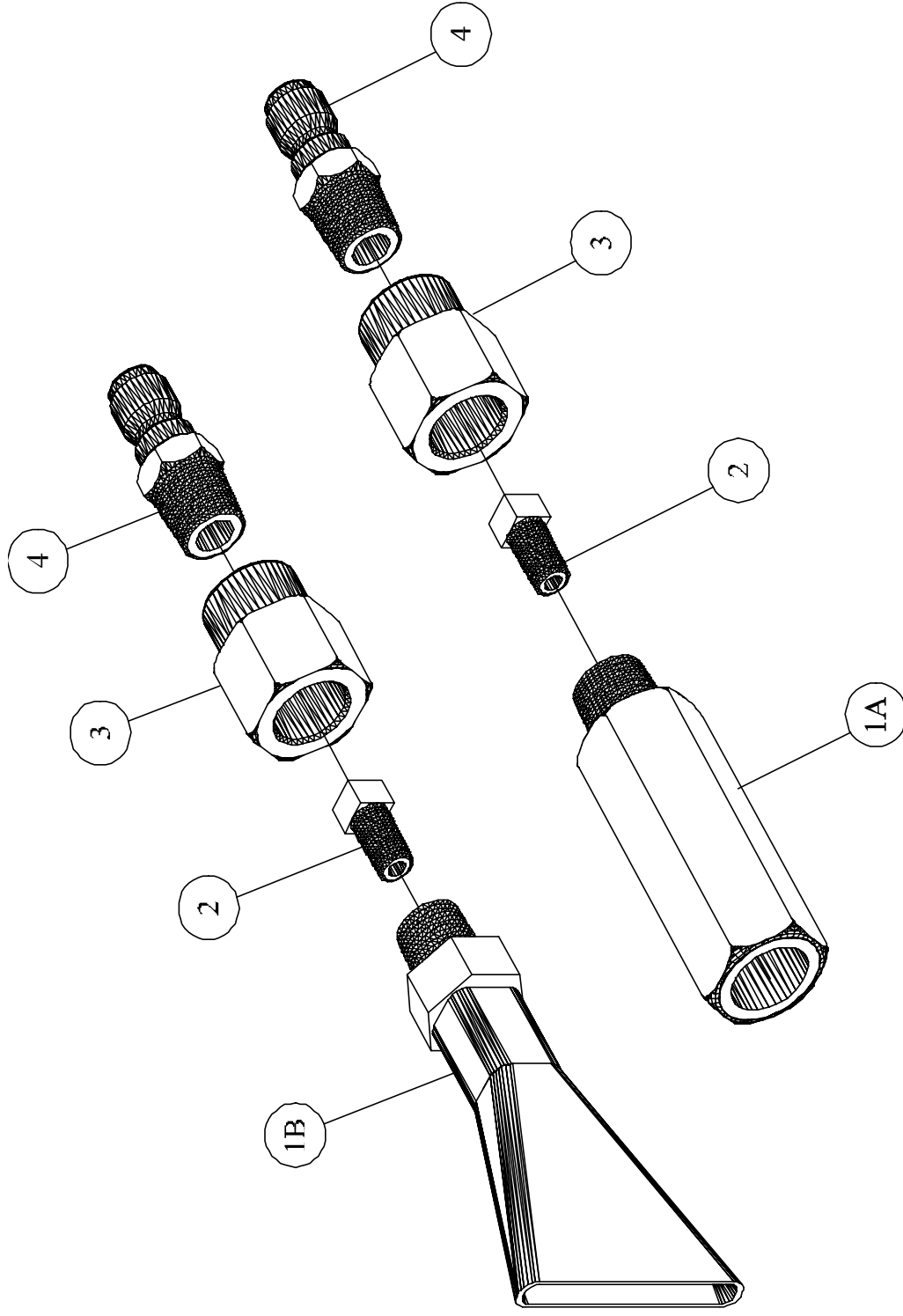
ITEM NO.	QTY.	DESCRIPTION	PART NO.
1	1	PLATE,COVER,PANEL,CONTROL,BOX,JNCTN,HPW	JD8009
2	1	DECAL, PANEL, INSTRUCTION, SJ 120, OEP & GES	JD8432
3	1	SWITCH, ROCKER, SP, ST, 10A, 24V, LED, LIGHT	JE1004
4	1	SWITCH, ROCKER, DP, DT, OFF-ON-MOM, 10A,24V 3PH	JE1006

FIGURE 1-6 (Panel, Instruction, SJ 120 OEP, Ass'y)



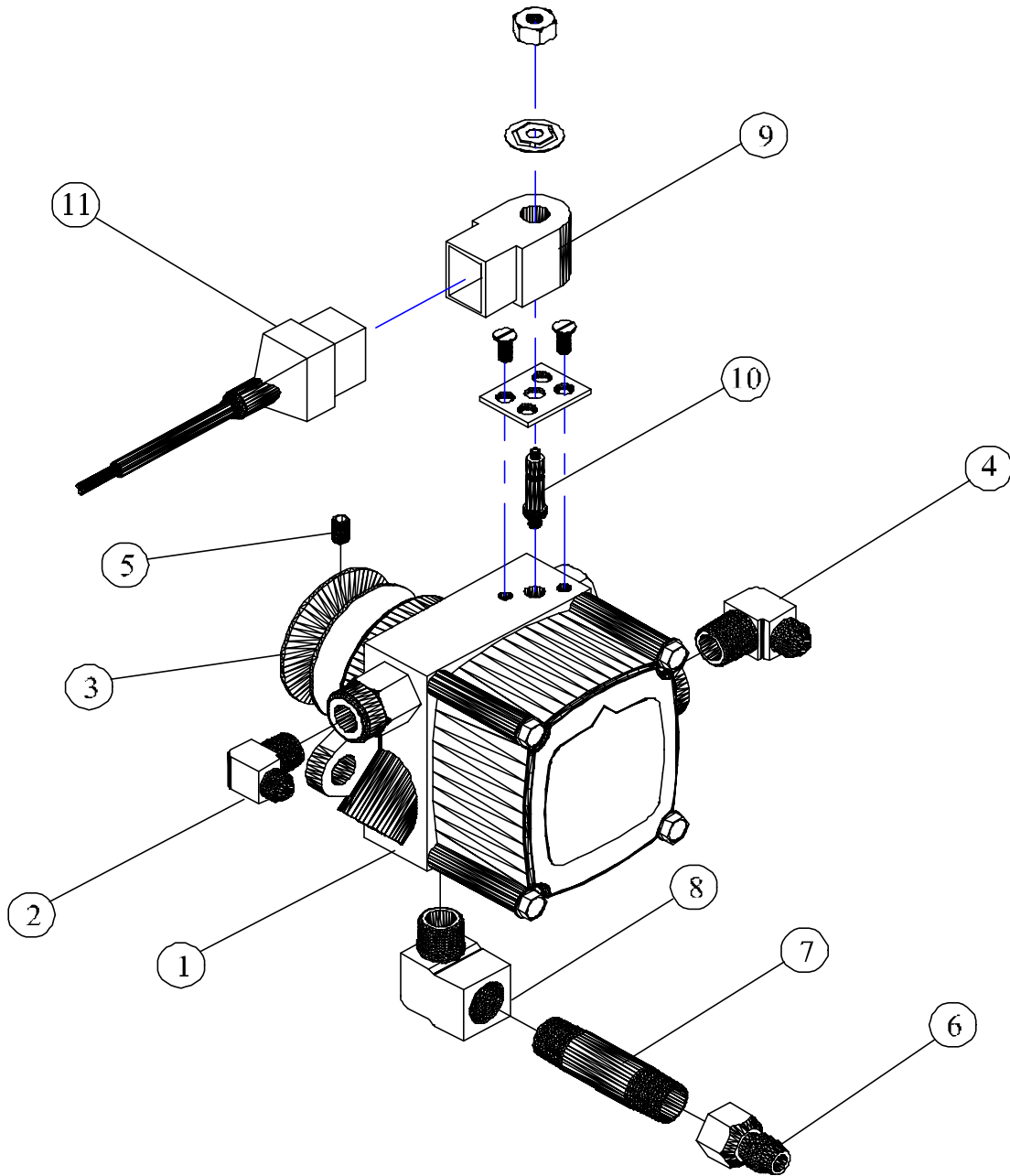
ITEM NO.	QTY.	DESCRIPTION	PART NO.
1	1	GUN, TRIGGER, 3000PSI, 8GPM, 320F	JD6068-B
2	2	ADAPTER, EXPANDING, STEEL, PLATED, 1/4M X 3/8F	JD6224
3	1	HANDLE, PERFORATED, SCH80, STEEL, ASSY, 3/8	JE 280-E
4	1	COUPLING, HEX, STEEL, PLATED, 3/8NPT X 3/8NPT	JD 907-04
5	1	NIPPLE, STEEL, SCH80, 3/8NPT X 28 LONG	JD 963
6	1	SOCKET, QUICK, COUPLING, BRASS, 1/4M X 3/8F	JD3102-02

FIGURE 1-7 (GUN, SCH80, N/C, W/O, SWIVEL, ASSY, 3/8", JP4261-H)



ITEM NO.	QTY.	DESCRIPTION	PART NO.
1A	1	NOZZLE, STEAM, 3/4 HEX, STEEL, PLATED, 3/8 X 3/8	JP3308-B
1B	1	NOZZLE, FAN, STEAM, 2" WIDE	JD 459
2	2	ORIFICE, STEAM, SS, #41	JP3175-07
3	2	COUPLING, HEX, BRASS, 3/8NPTF X 1/4 NPTF	JD 920-01
4	2	PLUG QUICK, COUPLING, BRASS, 1/4" NPTM	JD3103-04

FIGURE 1-8 (NOZZLE, STEAM & FAN, COMBINATION, FITTINGS, SJ 120, OEP, ASSY)



ITEM NO.	QTY.	DESCRIPTION	PART NO.
1	1	PUMP, OIL, FUEL, SNGLSTGE, 3GPM, 3450RPM, 24V	JD3306-F
2	1	ELBOW, MALE, BRASS, 1/4-45 SAE X 1/8 NPT	JD 651
3	1	PULLEY, CRS, SG, 1-3/4" OD X 5/16" ID (3L BELT)	JD3233-03
4	1	ELBOW, MALE, BRASS, 1/4-45 SAE X 1/4 NPT	JD 652
5	1	SCREW, SET, HEX, SOC, CUP, PNT, NYLK, 8-32X3/16	JD3241
6	1	CONNECTOR, FEMALE, BRASS, 1/4"-45° SAE X 1/4NPT	JD2391
7	1	NIPPLE, BRASS, 1/4 NPT X 2 LONG	JD 745-01
8	1	ELBOW, STREET, BRASS, 1/4 NPT	JD 670
9	1	COIL, SOLENOID, FUEL, 12DC/24VAC, SUNTEC,	JD3306-09
10	1	STEM-ASSY, SOLENOID, PUMP, FUEL, 12/24V	JD3306-08
11	1	CORDSET, VALVE, SOLENOID, FUEL, SUNTEC	JD3306-E

FIGURE 1-9 (PUMP, FUEL, JENNY-BURNER, JP7738, SJ 120 OEP, ASSY)

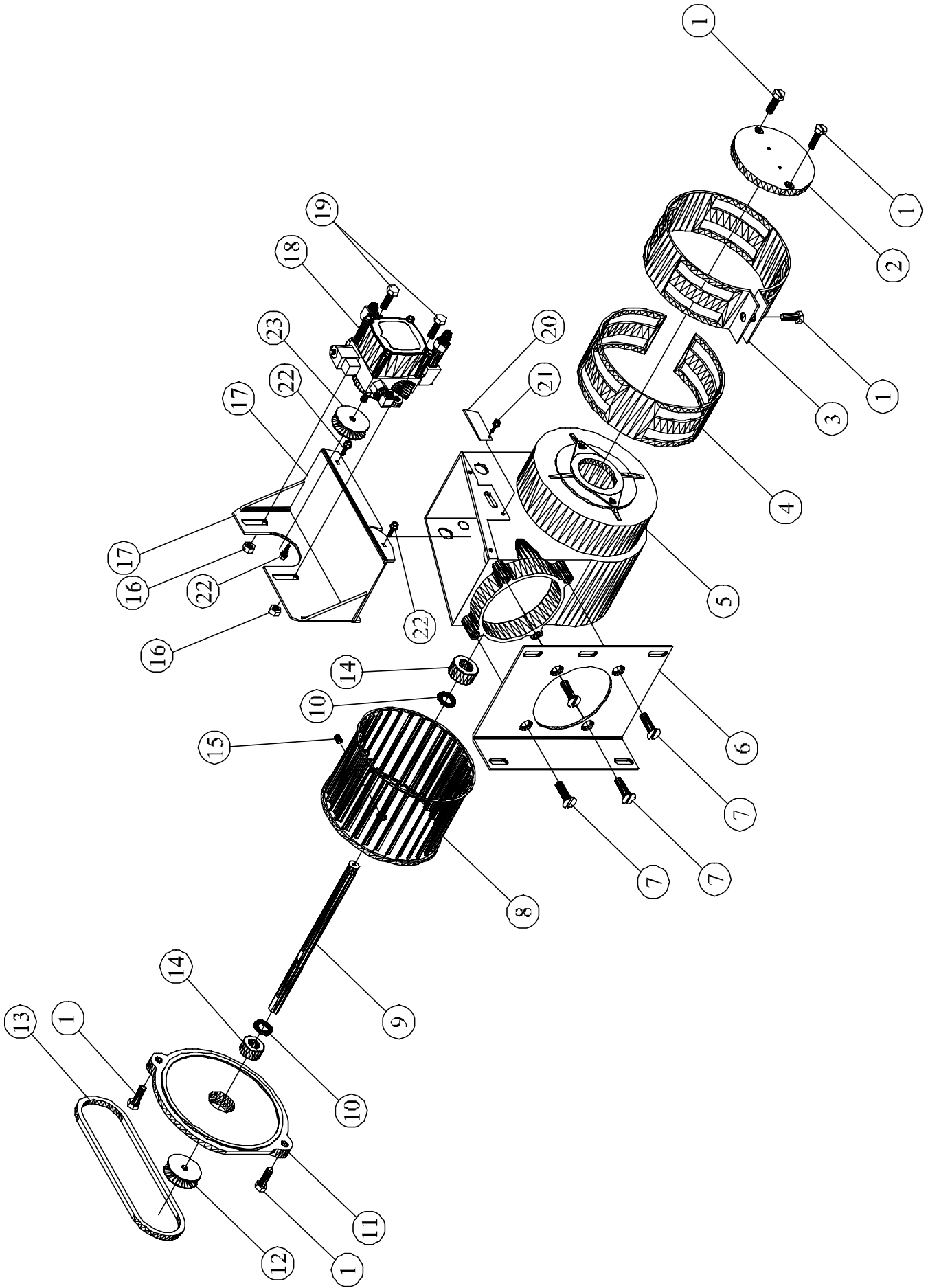
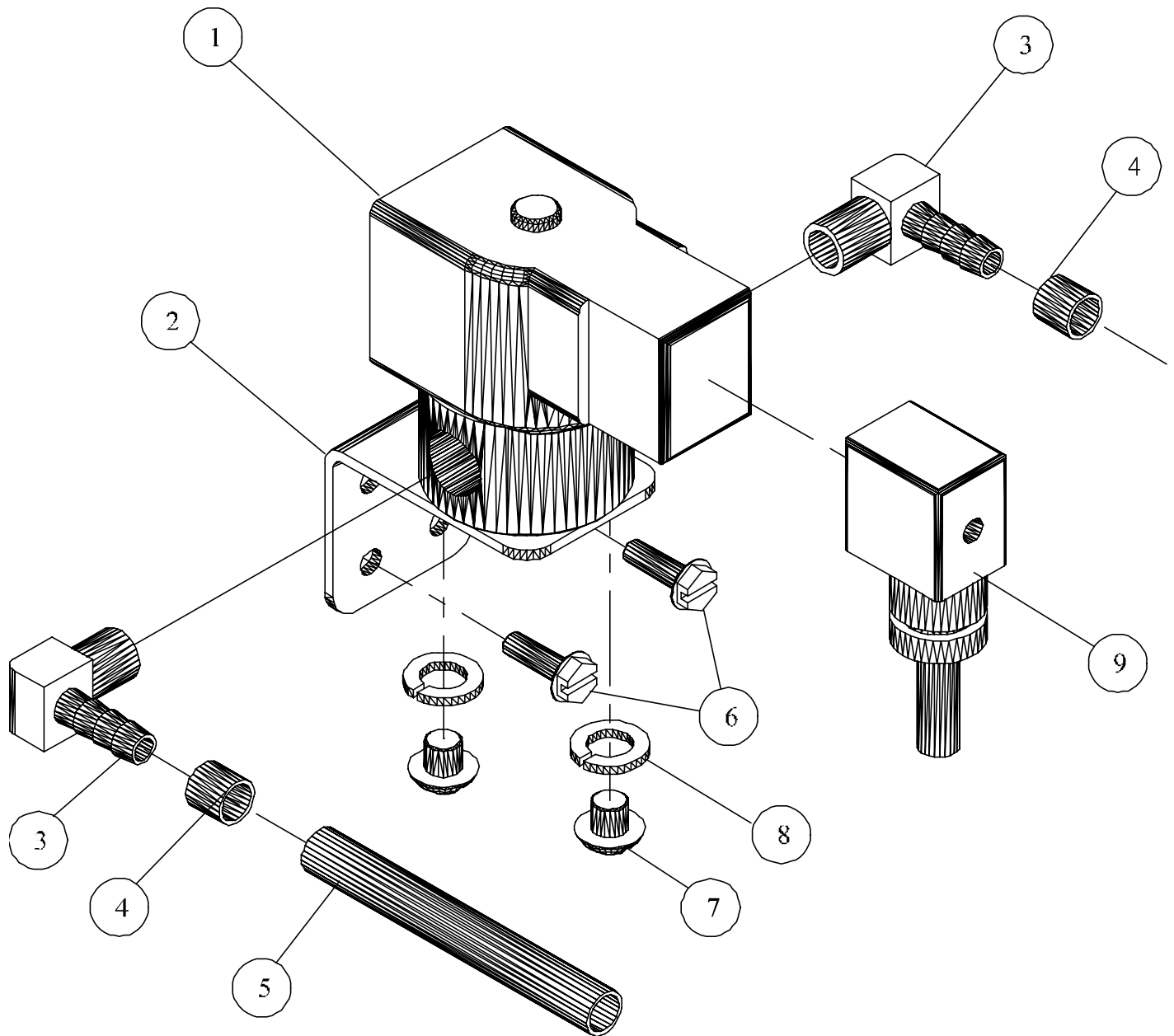


FIGURE 1-10 (Blower, Air, JB2000, 6" OD X 4" W X 4" W X 1/2" Shaft, SJ 120 OEP, Assy)

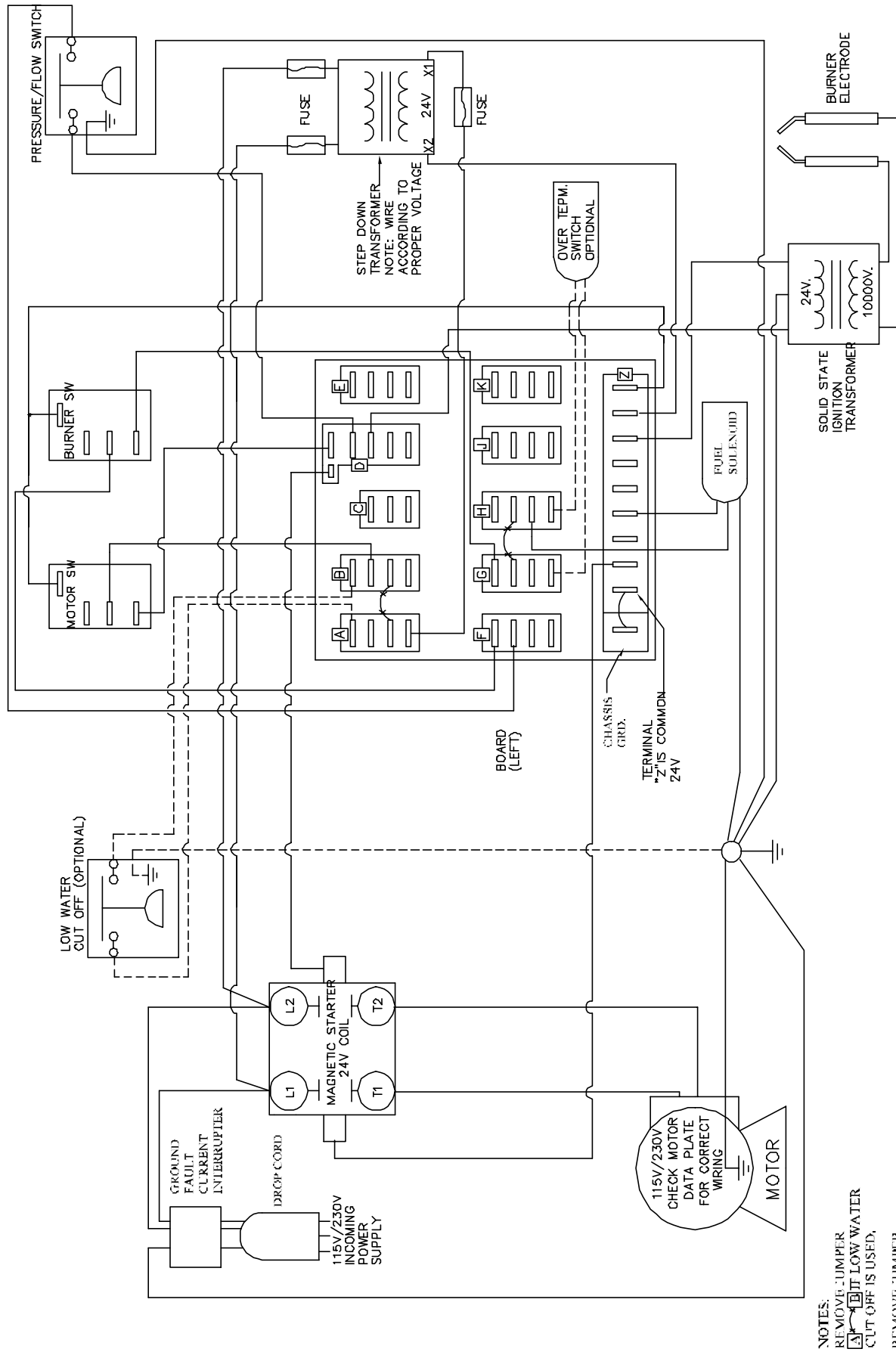
SJ 120 OEP, Blower, Air, JB2000
6" ODX 4"W X 1/2" Shaft Assy

ITEM NO.	DESCRIPTION	QTY.	PART NO.
1	SCREW, MACHINE, HEX, SERR, ST, PL, 5/16-18 X 7/8	5	JB2012
2	RETAINER, BEARING, ALUMINUM, BAND, AIR	1	JB2006
3	BAND, AIR, OUTER, STEEL, PLATED, 8 HOLE	1	JB2003
4	BAND, AIR, INNER, STEEL, PLATED, 7 HOLE	1	JB2002
5	HOUSING, BLOWER, ALUMINUM, 6.25OD X 4.0 WHEEL	1	JB2001
6	PLATE, MOUNTING, ST, PLATED, ADAPTER, CHASSIS	1	JB2010
7	SCREW, MACHINE, UNDERCUT, SLT, FLT, 5/16-18 X 5/8	4	JB2013
8	WHEEL, BLOWER, ST, 6.25 OD X 4.0W 1/2" SHAFT	1	JB2007
9	SHAFT, BLOWER, STEEL, 0.50 DIA. X 9.562 LONG	1	JB2008
10	RING, RETAINER, EXTERIOR, STEEL, 1/2	2	JB2015
11	FLANGE, ALUMINUM, RETAINER, BEARING, N - FLANGE	1	JB2009
12	PULLEY, CRS, SG, 1-3/4 OD X 1/2 ID (3L BELT)	1	JD3233-04
13	BELT, VEE, FHP, 3L230	1	JD3509
14	BEARING, BALL, 1.375OD X .500 ID X .437 WIDE (LOCK-TIGHT ON)	2	JB2011
15	SCREW, SET, HEX-SKT, KNURL-PNT, 5/16-24 X 3/8L	1	JB2017
16	NUT, LOCK, FLANGE, HEX, SERR, ST, PL, 5/16-18	2	JD7774-E
17	PLATE, MOUNTING, PUMP, FUEL, STEEL, PAINTED	1	JB2005
18	ASSY SEE FIG 1-9 PUMP, FUEL, ASSY, JENNY-BURNER	1	JP7738
19	SCREW, FLANGE, HEX, SERR, ST, PL, 5/16-18 X 3/4	2	JD7905-B
20	PLATE, COVER, SLOT, STEEL, PLATED, 18GA X 1 X 2.5	1	JB2004
21	SCREW, SELFTAP, HEX, SERRATED, FLT, 10-24 X 3/8	1	JB2014
22	SCREW, SLF DRL, HEX, WASHER, PLATED #10 X 5/8	3	JD7074-A
23	PULLEY, CRS, SG, 1-3/4" ODX 5/16" ID (3L BELT)	1	JD3233-03



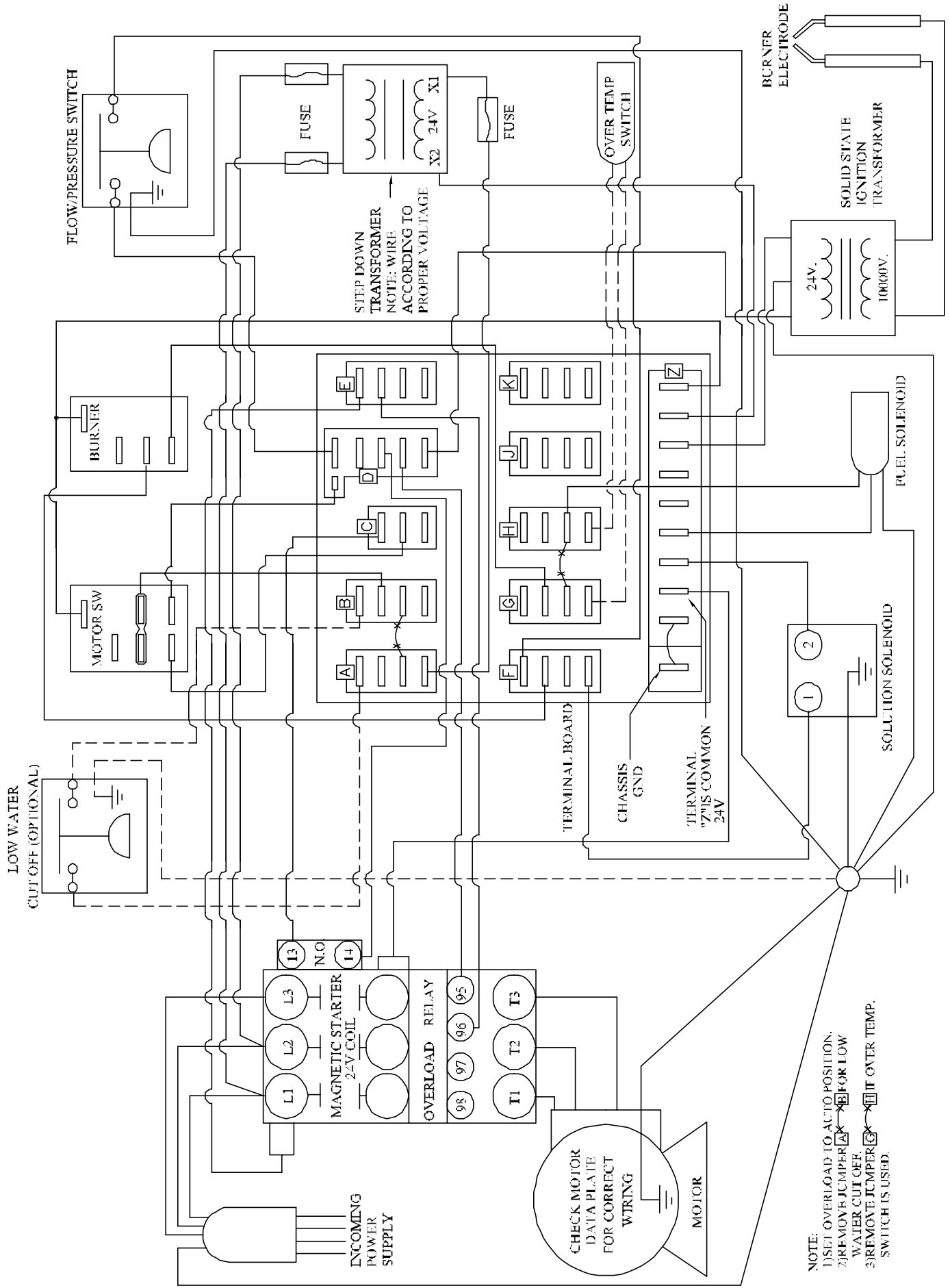
ITEM NO.	QTY.	DESCRIPTION	PART NO.
1	1	VALVE, SOLENOID, SOLUTION, 12V, 1/4NPT	JD2162-F
2	1	BRACKET, MOUNTING, SOLUTION, SOLENOID	JD7760
3	2	BARB, HOSE, ELBOW, MALE, BRASS, 1/4HS X 1/4 NPT	JD7078
4	2	CLAMP, SLEEVE, PLASTIC, 3/8 I.D.	JD2759
5	1	TUBING, PVC, CLEAR, 3/8 O.D. X 1/4 I.D.	JD3087
6	2	SCREW, SLF, DRL, HEX WASHER, PLTD, #10 X 5/8	JD7074-A
7	2	SCREW, MACHINE, PHILLIPS, ST, PL, 10-32 X 3/8	JD3234
8	2	WASHER, LOCK, SPLIT, STEEL, PLATED, #10	JD624
9	1	CONNECTOR, SOLENOID, RELIEF, STRAIN, DIN	JD7703

FIGURE 20-1 (VALVE, SOLUTION, SOLENOID, JD2162-F, ASSY)



NOTES:
 REMOVE JUMPER
 IF LOW WATER
 CUT OFF IS USED,
 REMOVE JUMPER
 IF OVER TEMP.
 SWITCH IS USED.

(Electrical Schematic Diagram) Oil Fired, Hot Pressure Washer Steam Jenny, 115 230 1PH, JB File Name: JW 103



NOTE:
 1) SET OVERLOAD TO AUTO POSITION.
 2) REMOVE JUMPER **A** FOR LOW WATER CUT OFF.
 3) REMOVE JUMPER **C** IF OVER TEMP. SWITCH IS USED.

(Electrical Schematic Diagram) Oil Fired, Hot Pressure Washer/ Steam Cleaner W/ Mom-On, 3 PH. File Name: JW 104