



A Division of **TUXEDO** Distributors, LLC.

## *Paint Spray Booths*

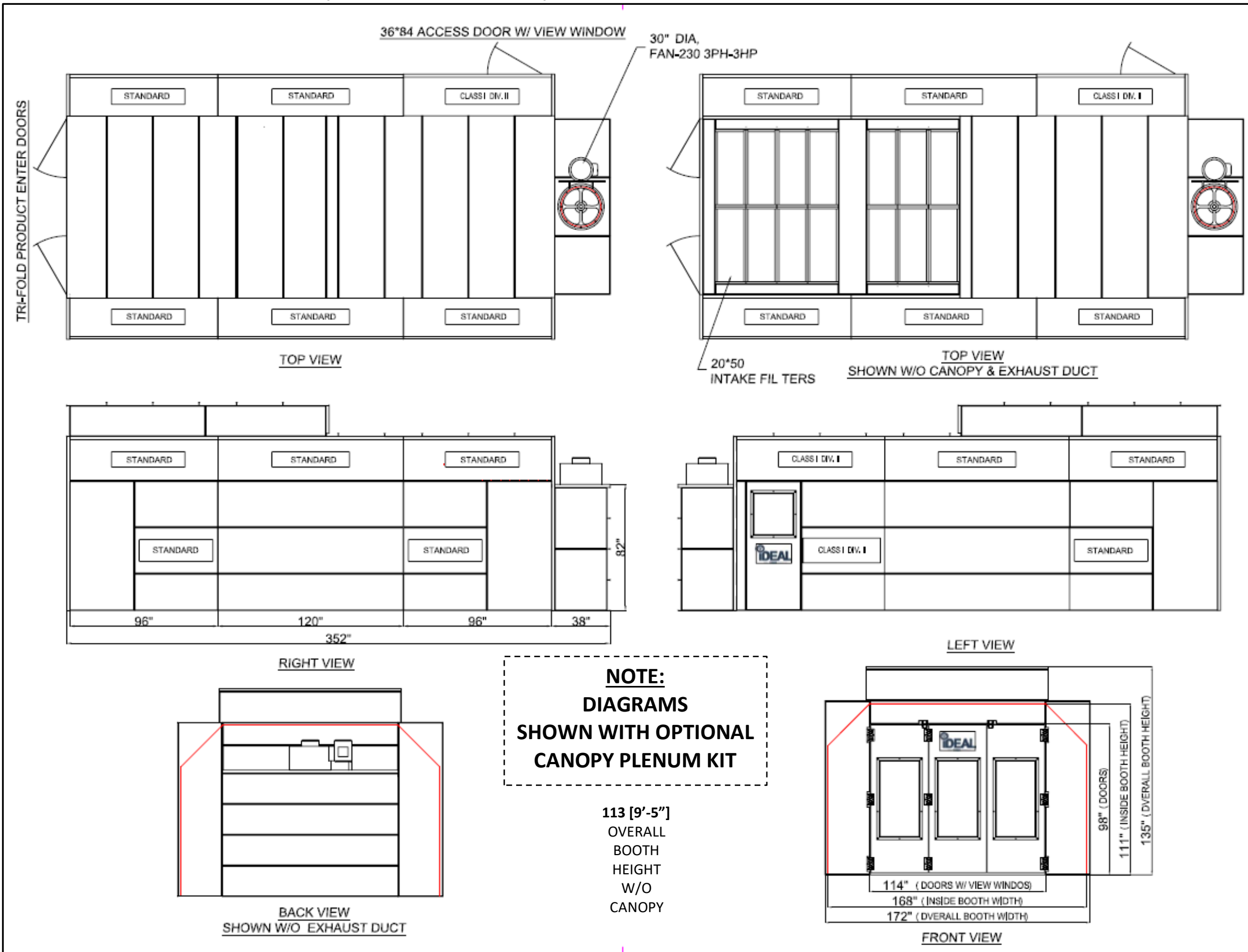
**Model # PSBSEMIDD26ASY-AK**

**Detailed BOM List &**

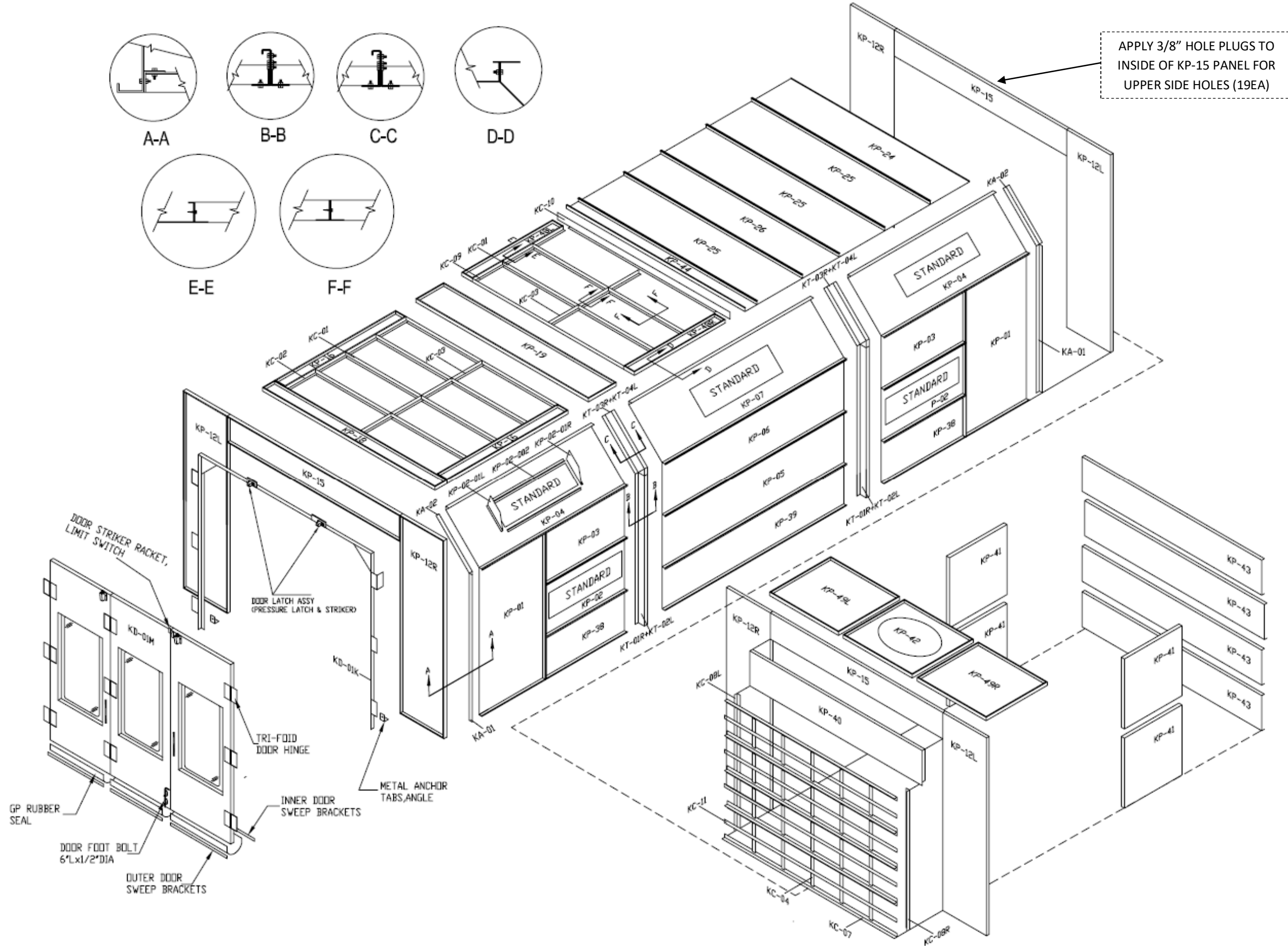
**Assembly Detail Diagrams**

Sep 2020

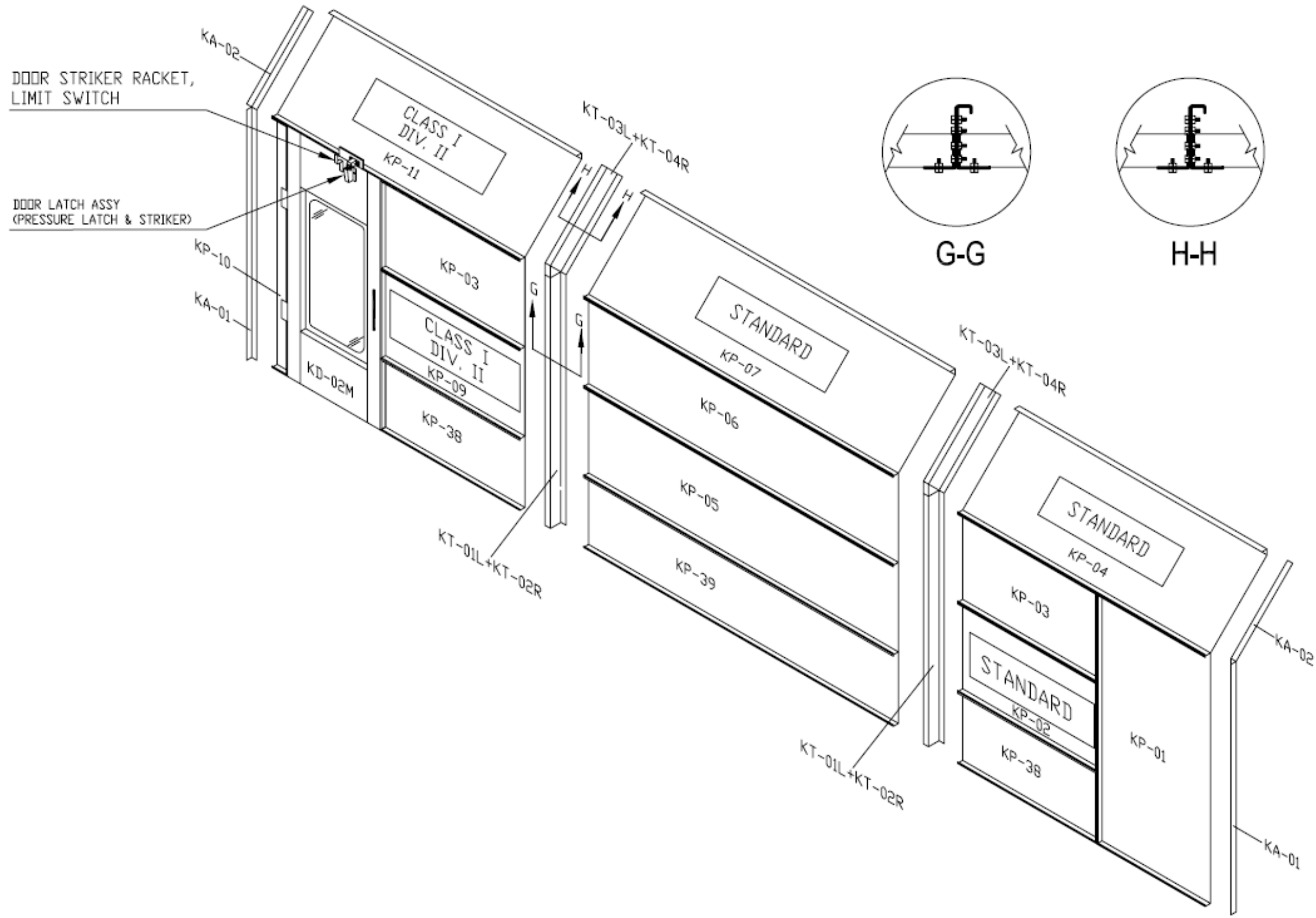
**(PSB-SEMIDD26ASY-AK) FLOOR PLAN & ELEVATION DIMENSIONS**



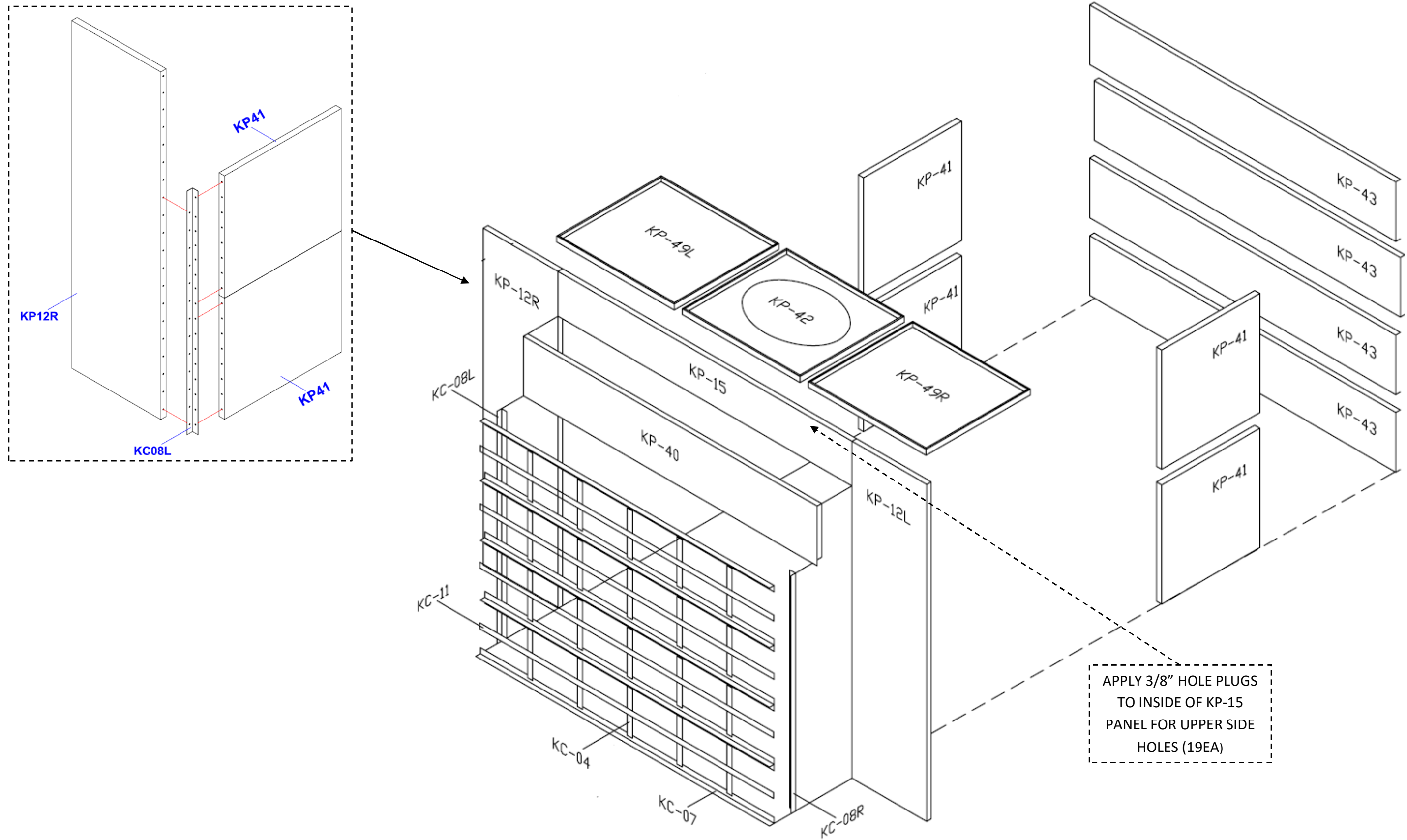
(PSB-SEMIDD26ASY-AK) ISOMETRIC VIEW / RIGHT SIDE



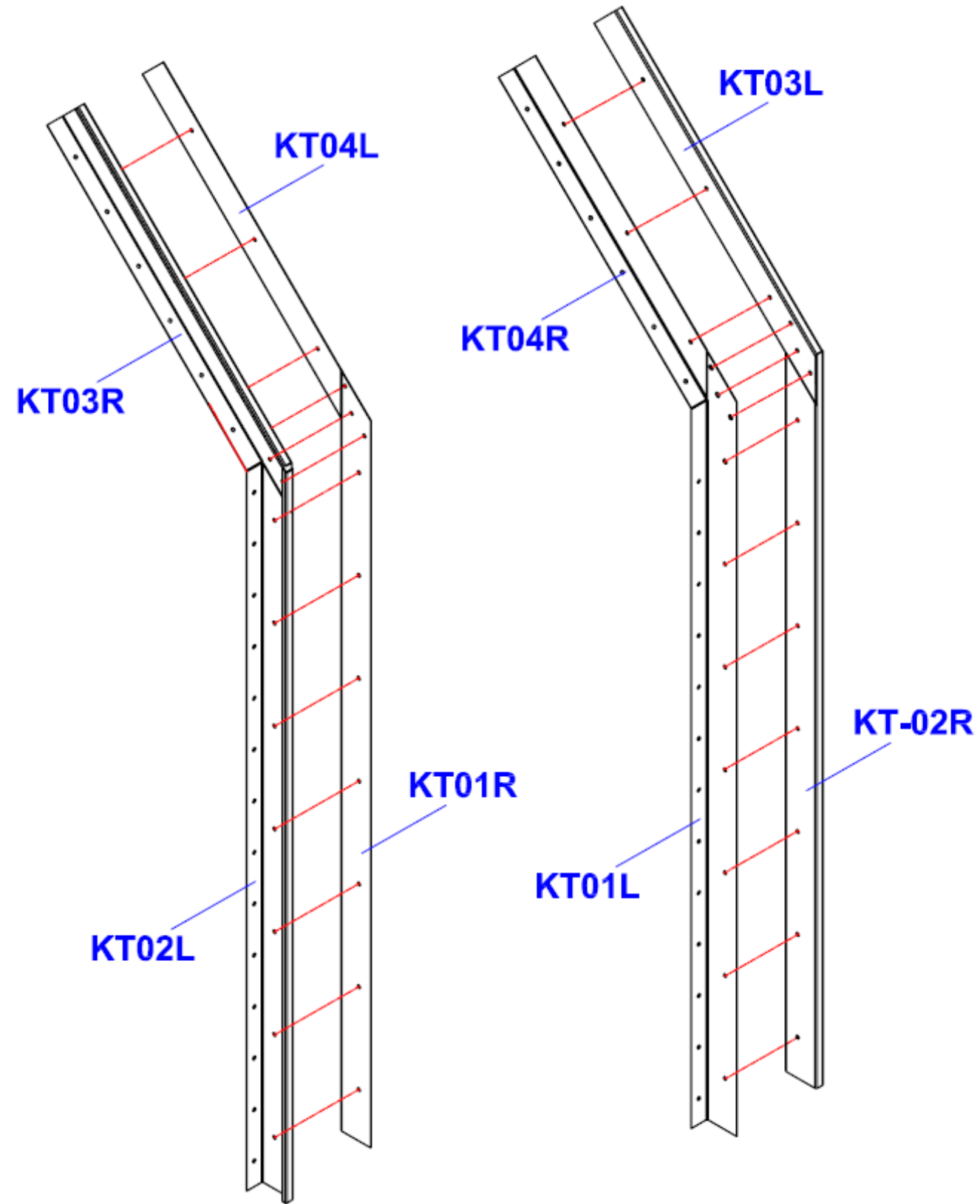
(PSB-SEMIDD26ASY-AK) LEFT SIDE



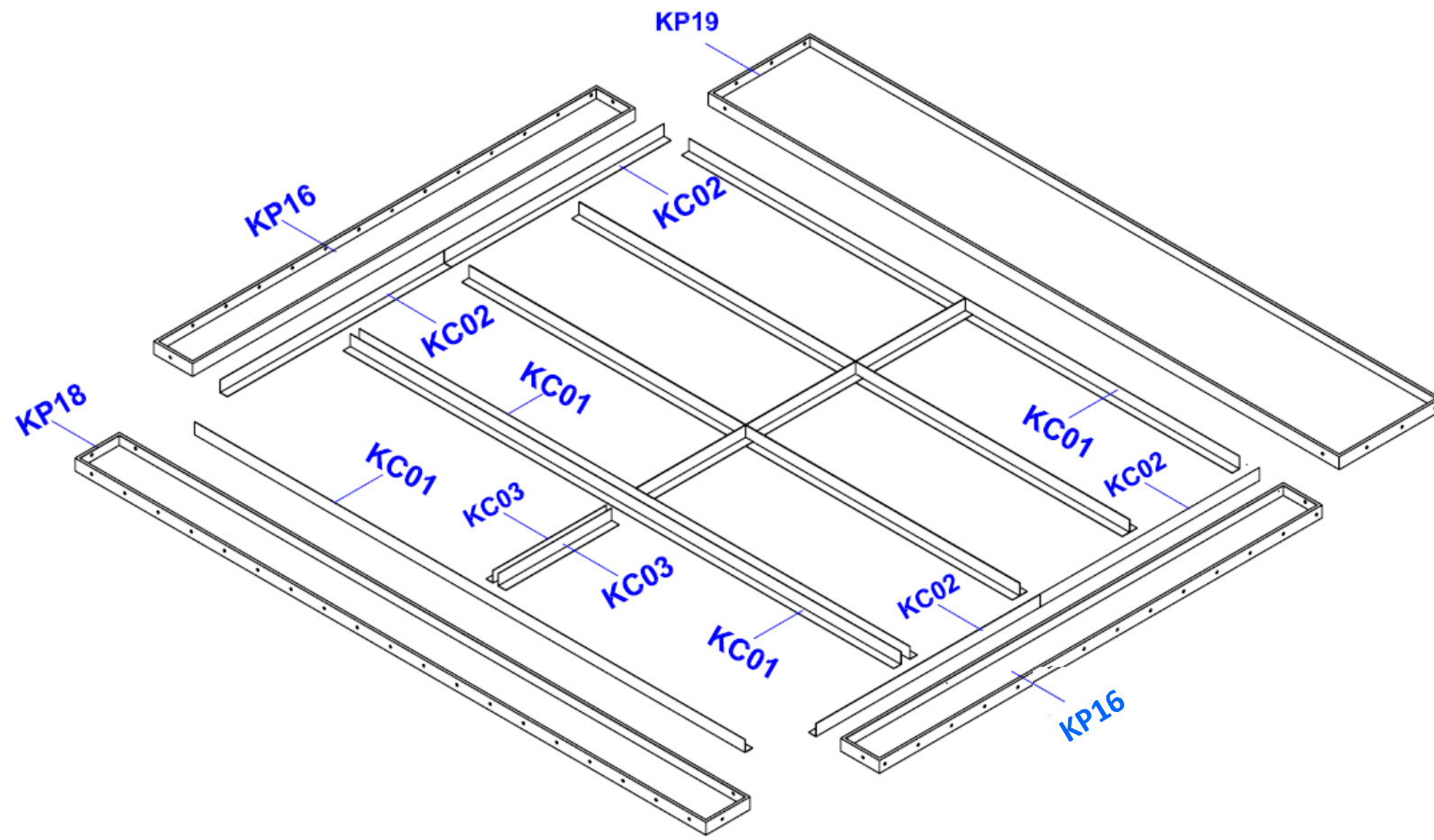
(PSB-SEMIDD26ASY-AK) – EXHAUST CHAMBER ASSEMBLY DETAILS



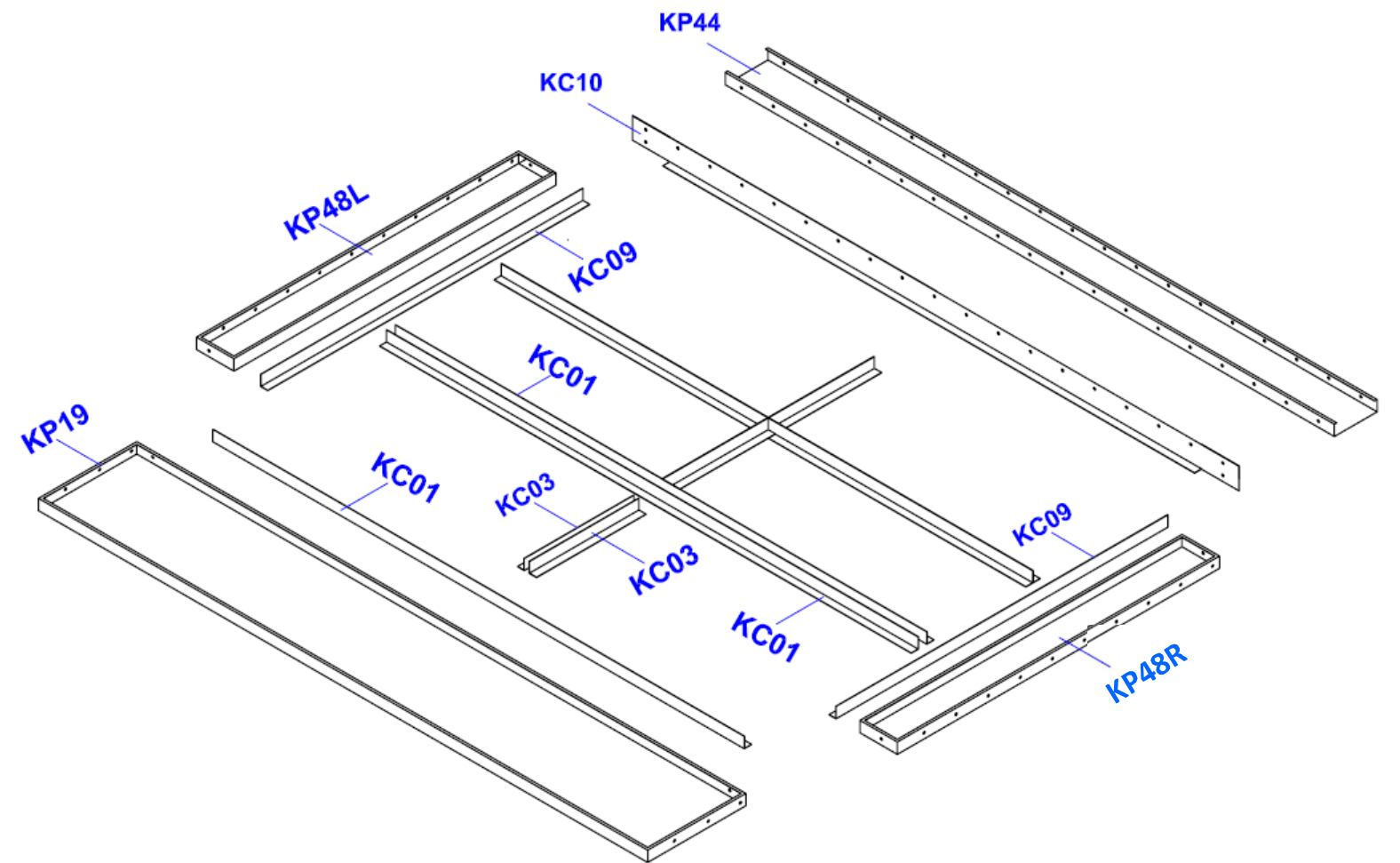
(PSB-SEMIDD26ASY-AK) T-BAR ASSEMBLY DETAILS



(PSB-SEMIDD26ASY-AK) INTAKE FILTER GRIDS

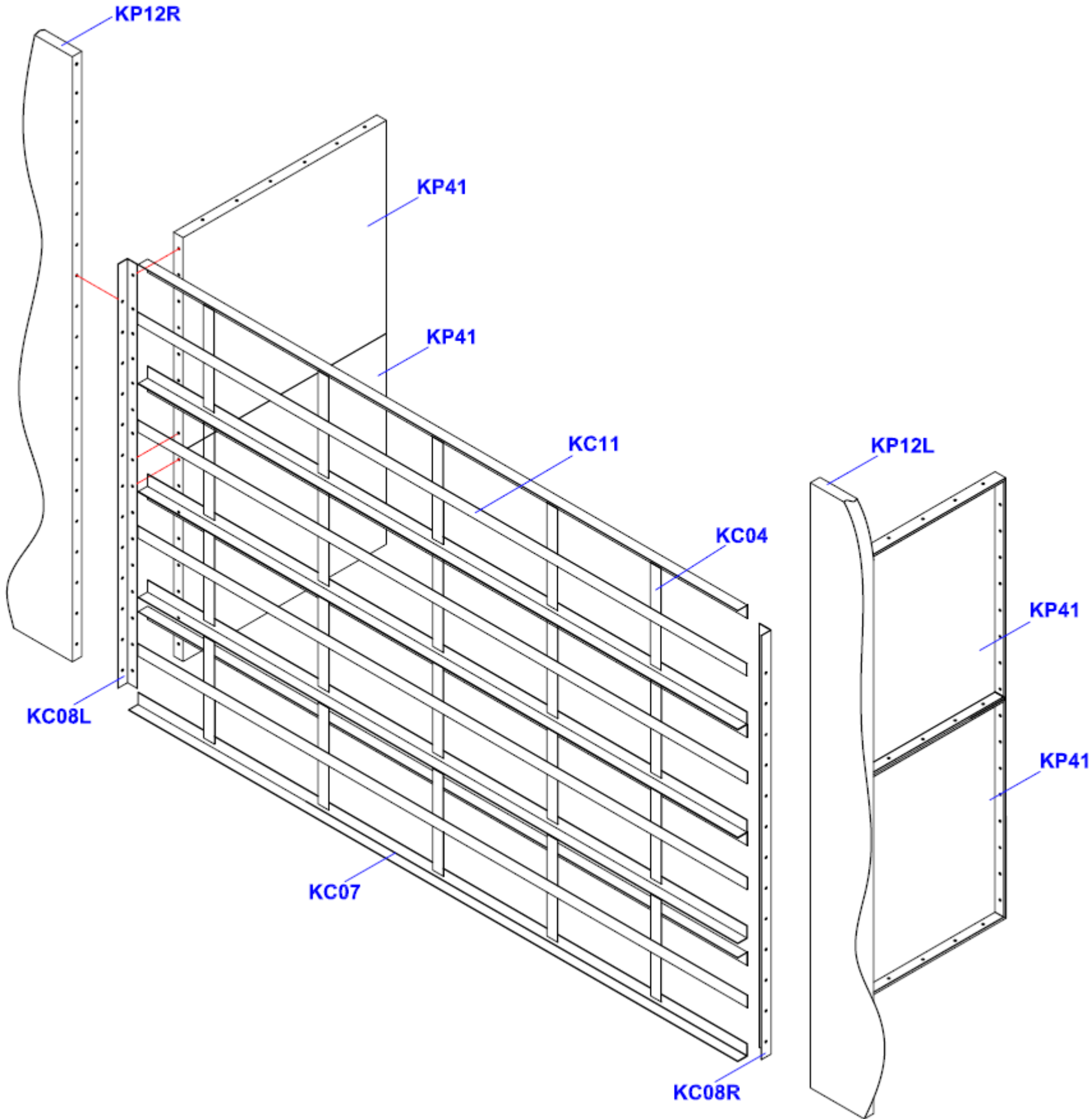


Front - Intake Filter Grid Section



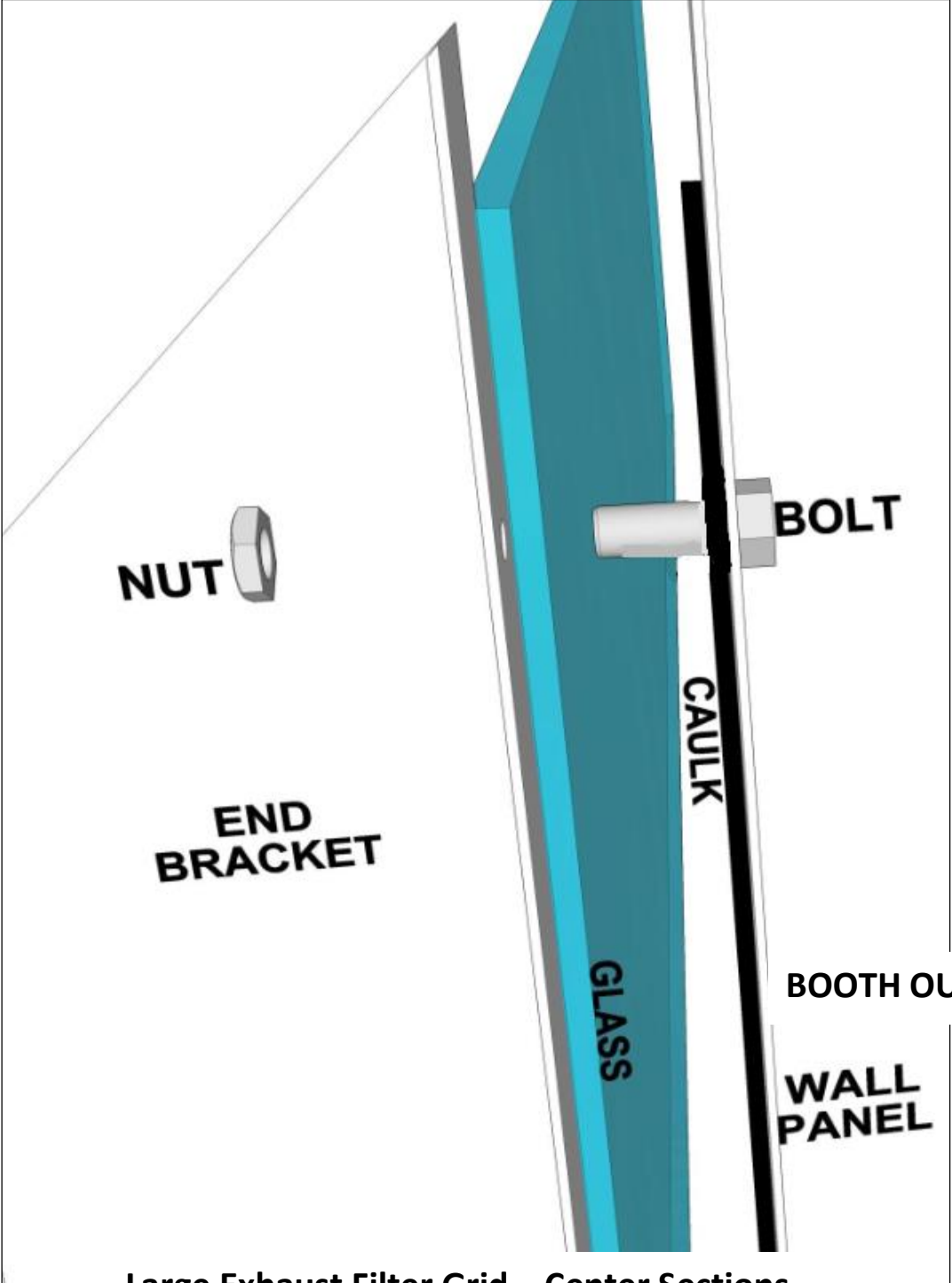
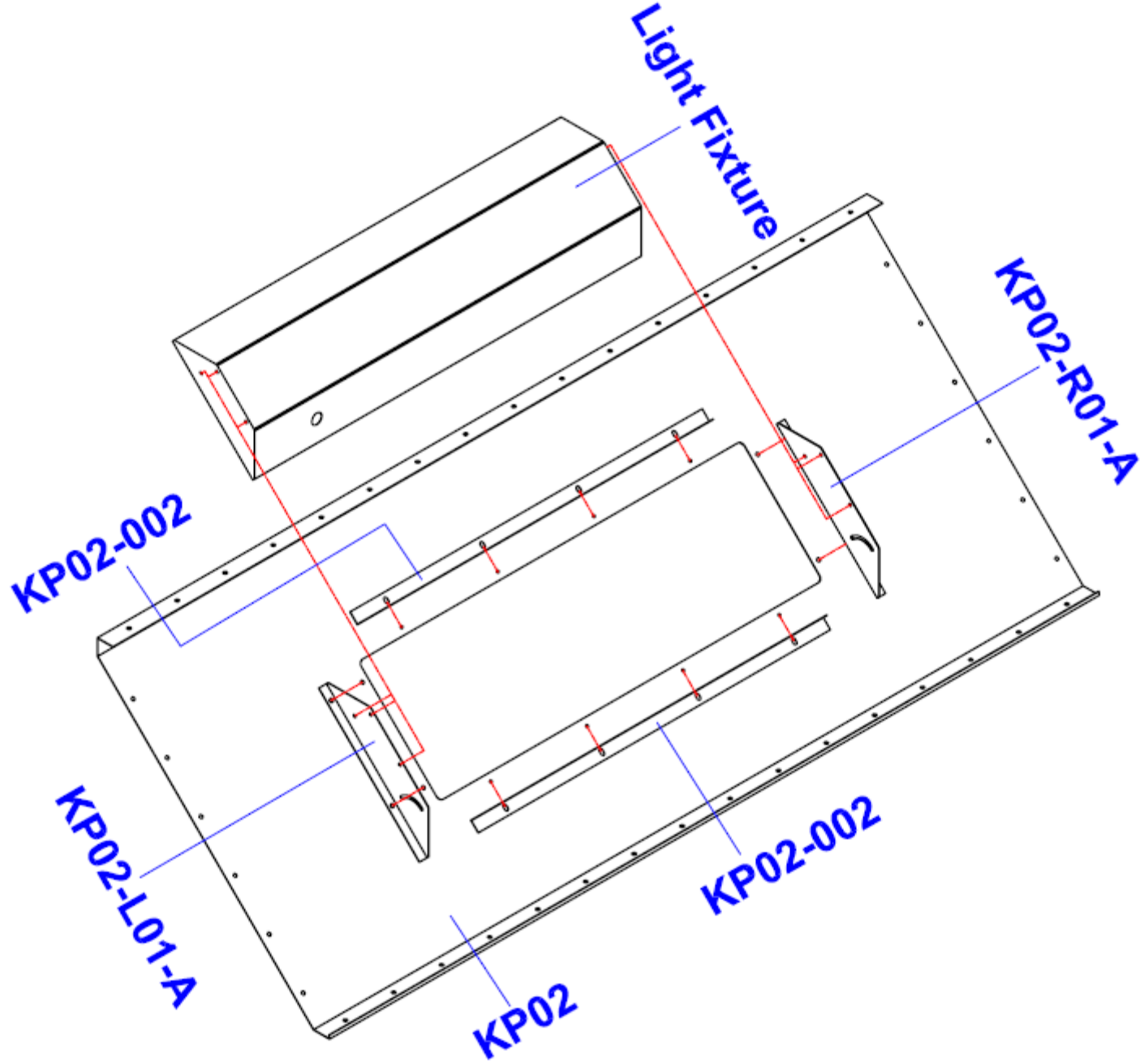
Center - Intake Filter Grid Section

(PSB-SEMIDD26ASY-AK) EXHAUST FILTER GRID



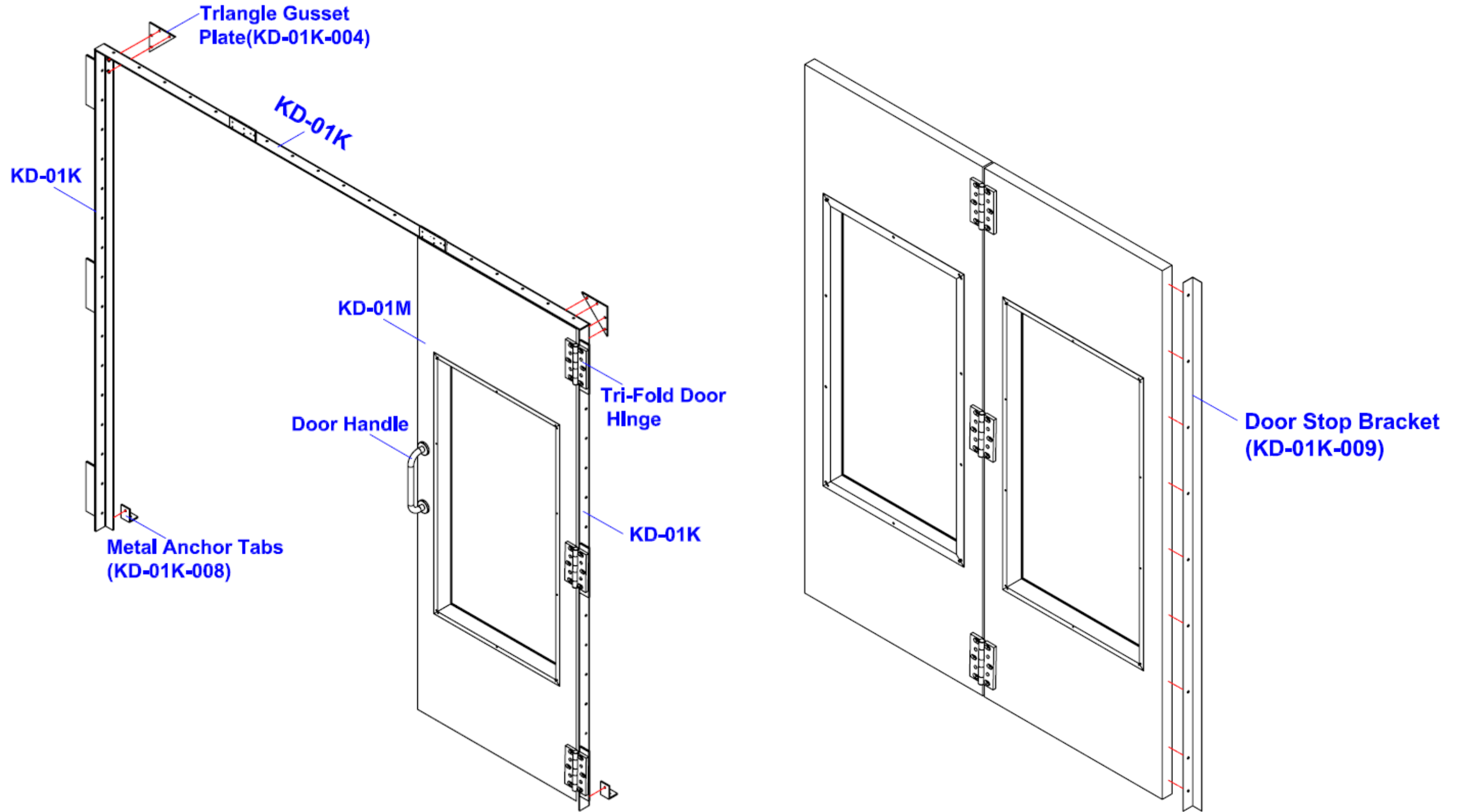


(PSB-SEMIDD26ASY-AK) – STANDARD LIGHT FIXTURE ASSEMBLY

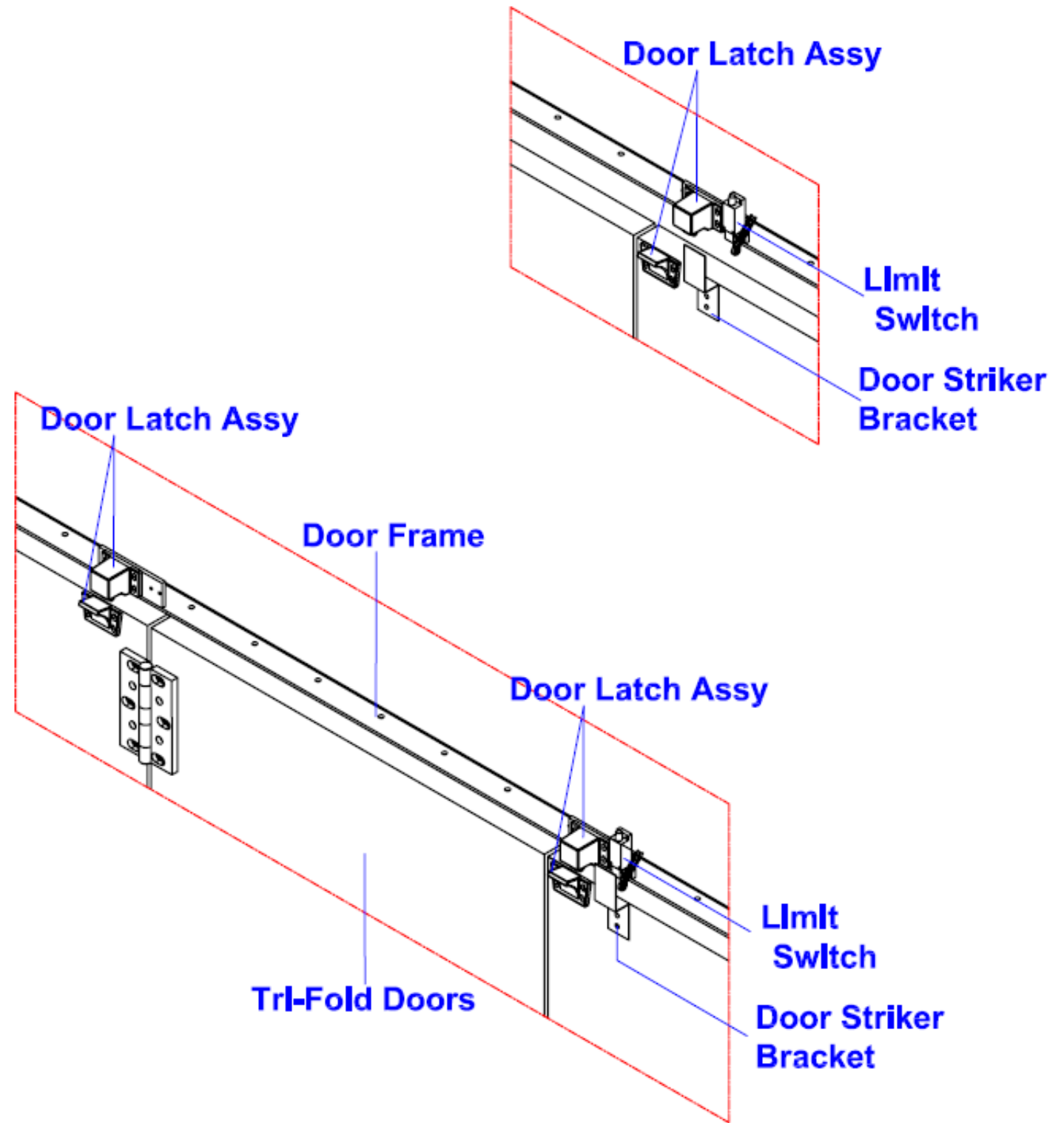
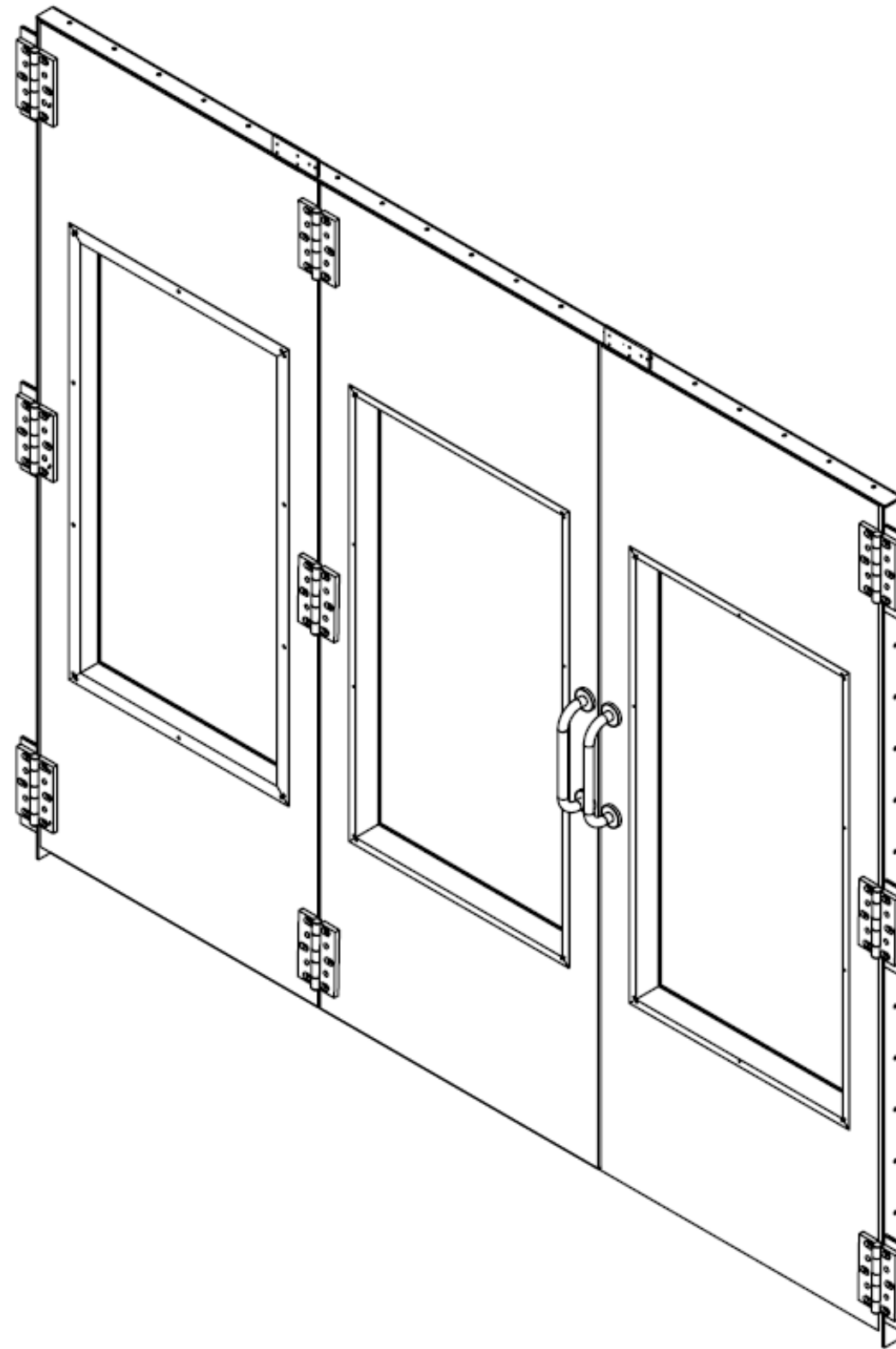


Large Exhaust Filter Grid – Center Sections

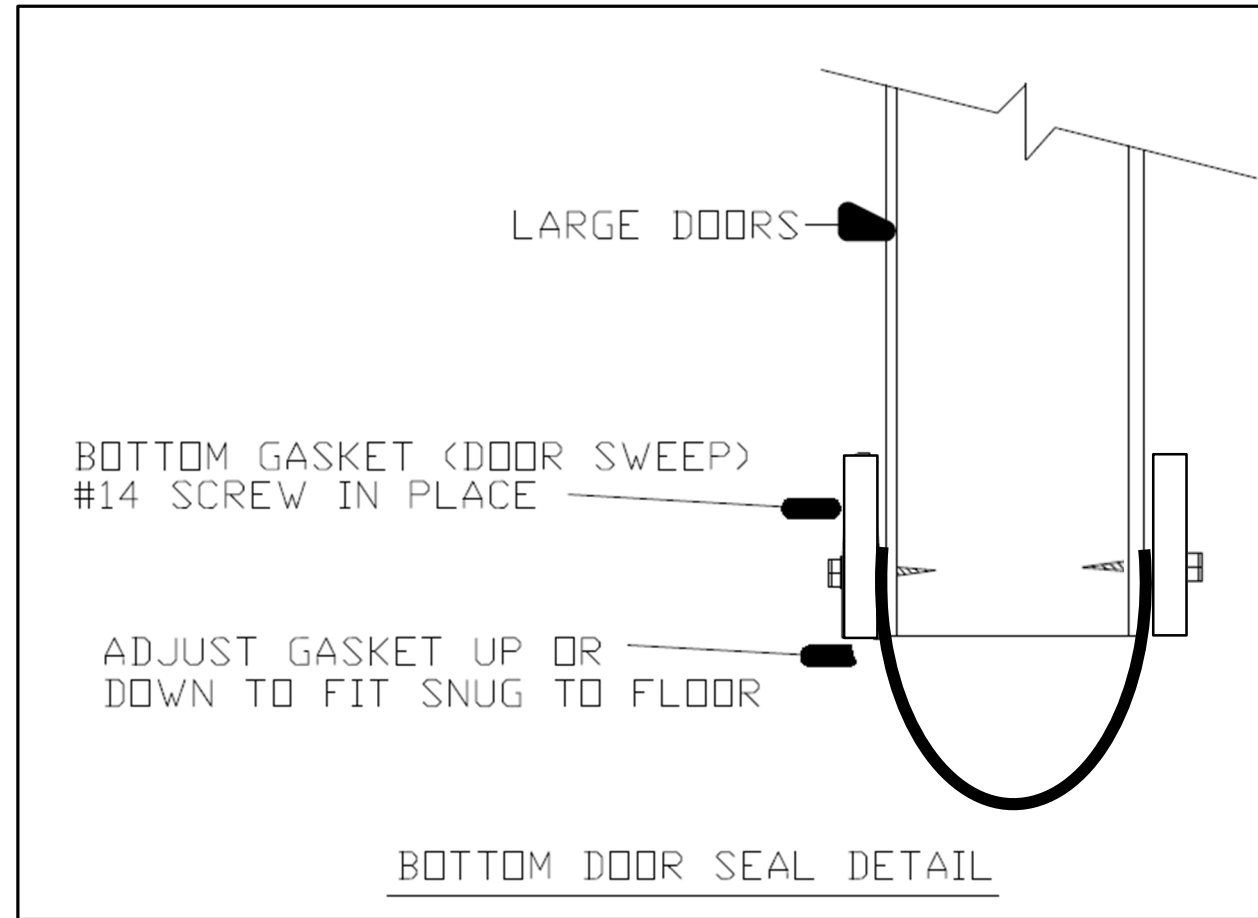
(PSB-SEMIDD26ASY-AK) – TRIFOLD PRODUCT DOOR ASSEMBLY (A)



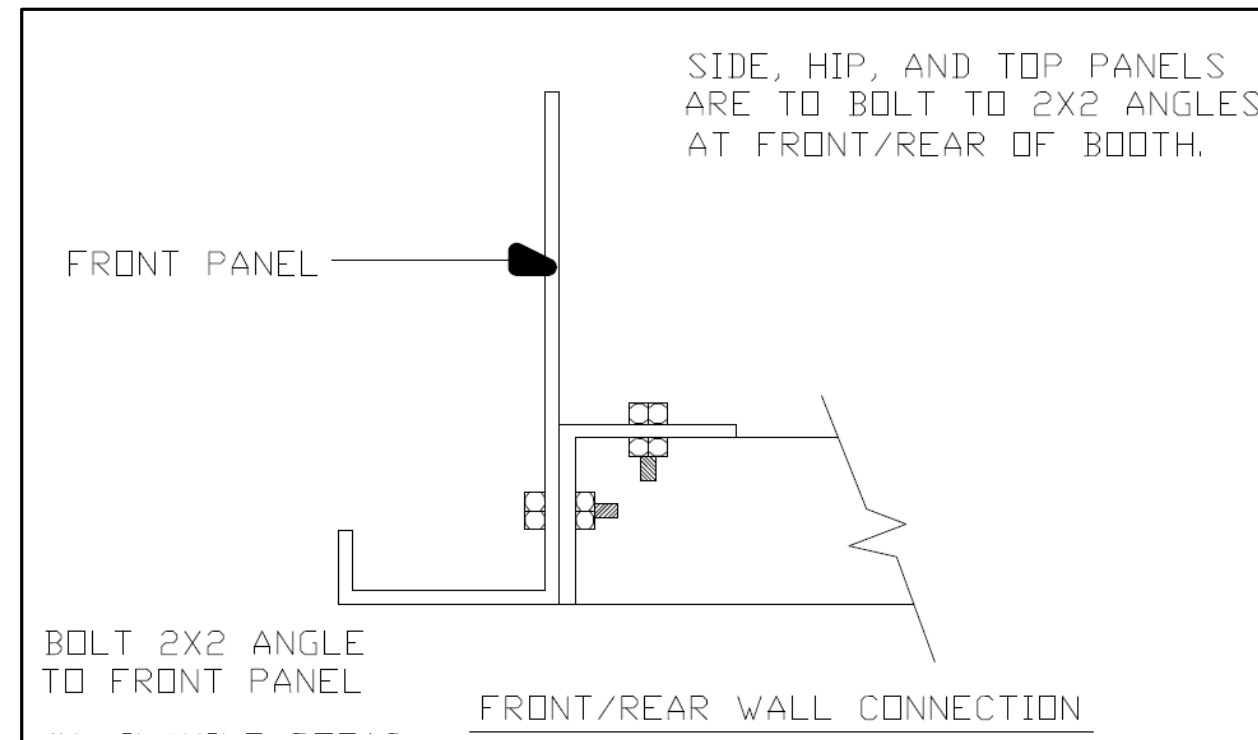
(PSB-SEMIDD26ASY-AK) – TRIFOLD PRODUCT DOOR ASSEMBLY (B)



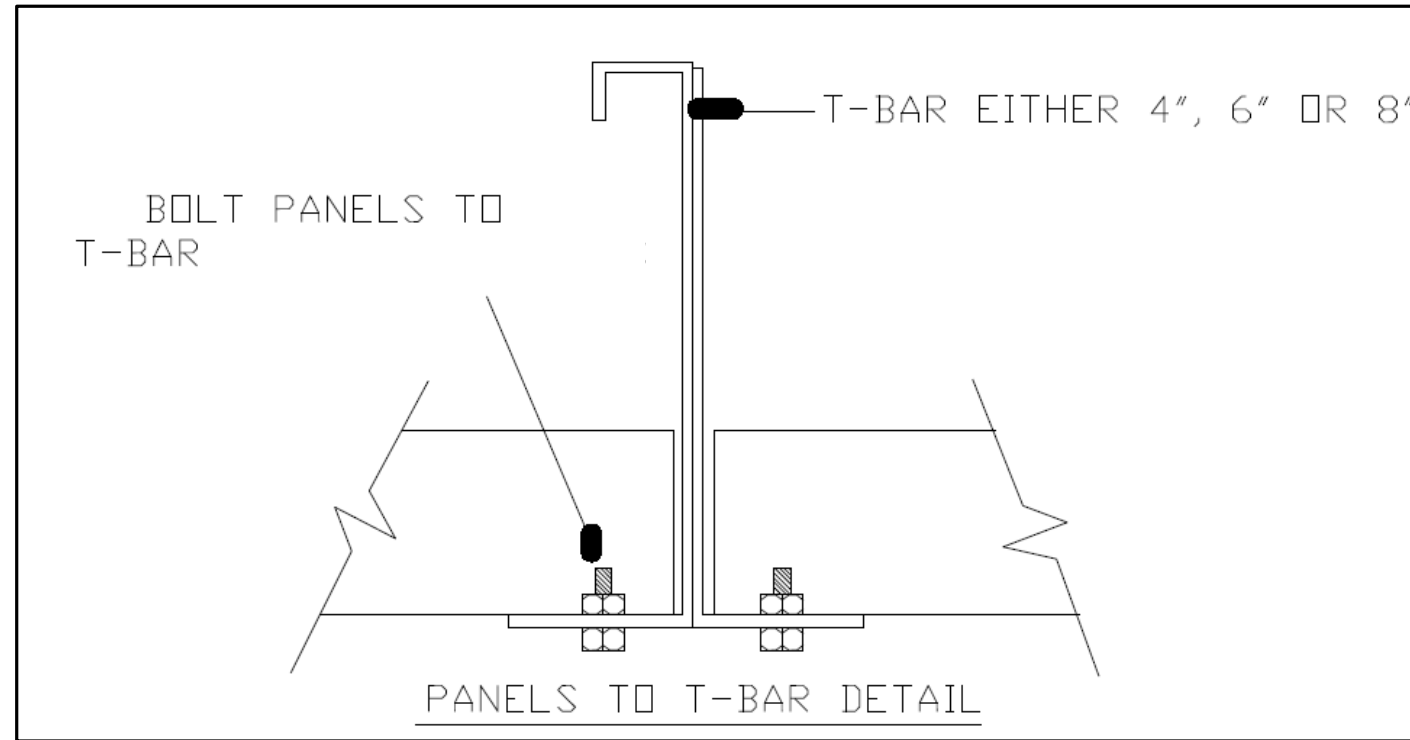
**(PSB-SEMIDD26ASY-AK) - DOOR SWEEP DETAIL**



**(PSB-SEMIDD26ASY-AK) - FRONT/REAR WALL DETAIL**



**(PSB-SEMIDD26ASY-AK) – PANELS TO T-BAR DETAIL**



**(PSB-SEMIDD26ASY-AK) - FILTER CELLS TO ROOF PANEL DETAIL**

