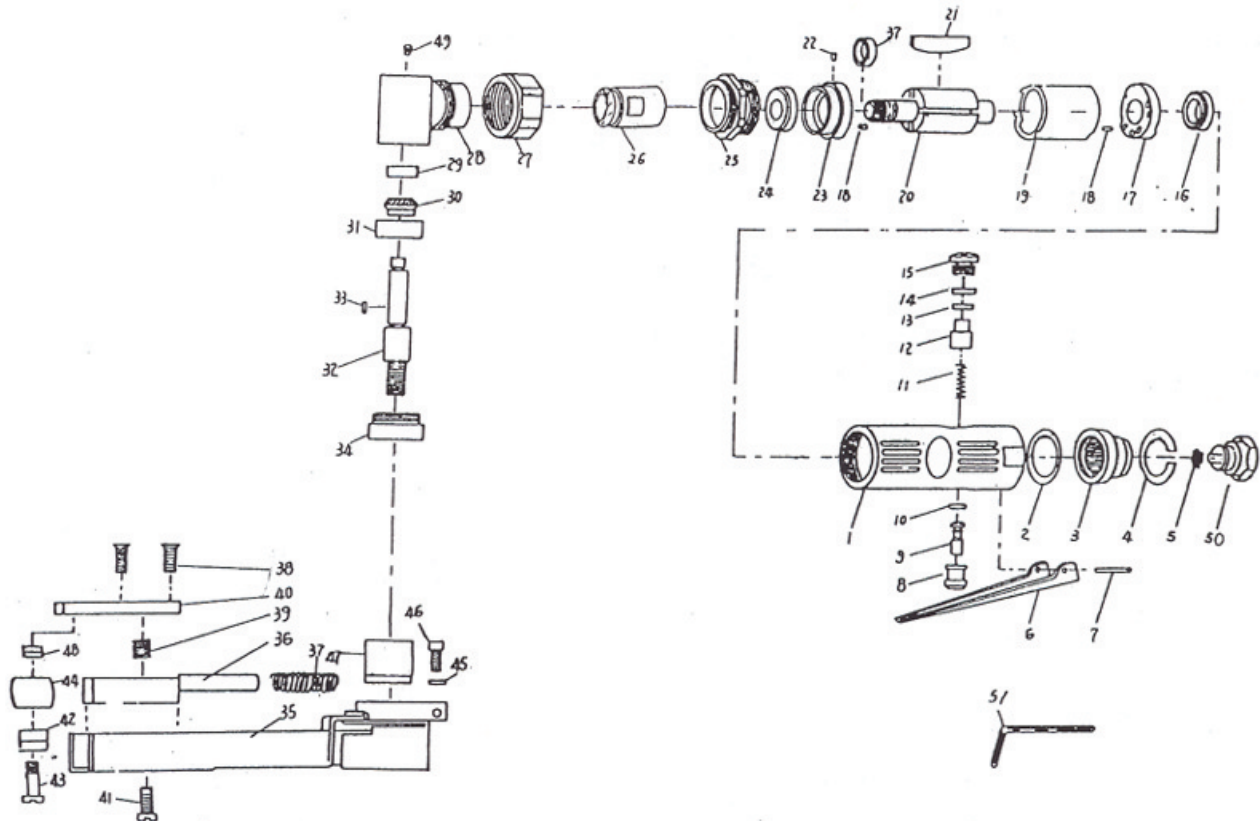


BELT SANDER

223K-A



ITEM NO	PART NO	DESCRIPTION	Q' TY	ITEM NO	PART NO	DESCRIPTION	Q' TY
1	10101	Body With Bushing	1	27	10327	Nut	1
2	10102	O-Ring	1	28	10328	Angle Head	1
3	10103	End Cap	1	29	10329	Ball Bearing	1
4	10104	C-Ring	1	30	10330	Bevel Gear	1
5	10105	Filter	1	31	10124	Ball Bearing	1
6	10106	Control Level	1	32	10332	Chuck Casing	1
7	10107	Spring Pin	1	33	10333	Key	1
8	10108	Bush	1	34	12334	Cap	1
9	10109	Valve	1	35	12335	Bell Set	1
10	10110	O-Ring	1	36	12336	Adj. Bar	1
11	10111	Spring	1	37	12337	Spring	1
12	10112	Speed Regulator	1	38	12338	Nut	2
13	10113	O-Ring	1	39	12339	Spring	1
14	10114	O-Ring	1	40	12340	Cap	1
15	10115	Valve Screw	1	41	12341	Adj. Nut	1
16	10116	Ball Bearing	1	42	12342	Ball Bearing	2
17	10117	Rear End Plate	1	43	12343	Spindle	1
18	10118	Spring Pin	2	44	12344	Belt Wheel	1
19	10119	Cylinder	1	45	12345	Spring Washer	1
20	10120	Rotor	1	46	12346	Nut	1
21	10121	Vanes	4	47	12347	Belt Wheel	1
22	10122	Steel Ball	1	48	12348	Washer	2
23	10323	Front Plate	1	49	12349	Oil Hole	1
24	10124	Ball Bearing	1	50	10134	Air Inlet	1
25	10325	Nipple	1	51	12357	Hex. Wrench	1
26	10326	Bevel Gear	1				

SPECIFICATION

MODEL	Free Speed (R.P.M.)	Capacity	Weight (lbs)	Length (In)	Air Pressure (PSI)	Air Inlet (NPT)	Arg. Air CONS (CFM)
Belt Sander	20,000 (4,500 SF/M)	10m/m x 330 3/8" x 13"	1-1/4	11	90	1/4	7