

Air Hydraulic Pumps

Operating Instructions & Parts Manual

Model Number

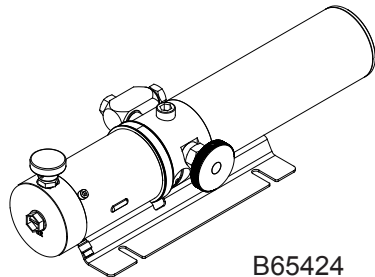
B65424

B65425

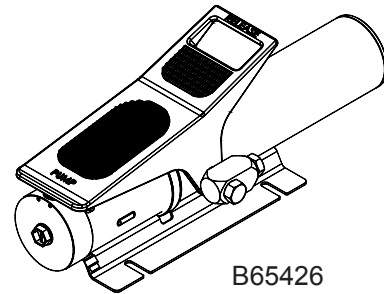
B65426

B65427

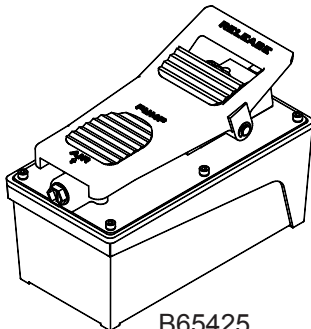
B65438



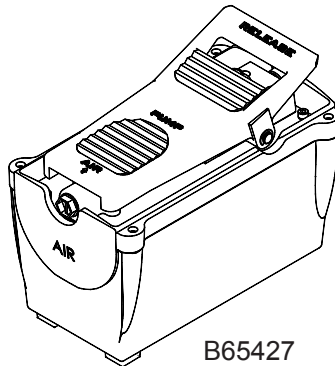
B65424



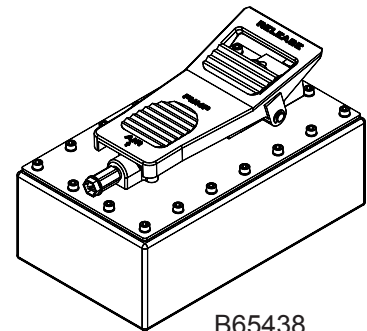
B65426



B65425



B65427



B65438

U.S. Patent No. 5,341,723



This is the safety alert symbol. It is used to alert you to potential personal injury hazards. Obey all safety messages that follow this symbol to avoid possible injury or death.

SFA Companies
10939 N. Pomona Ave. Kansas City, MO 64153
sales@blackhawk-automotive.com

Read this manual and follow all the Safety Rules and Operating Instructions before using this product.

Printed in Taiwan
B65425-M0_092017

SAFETY and GENERAL INFORMATION

Save these instructions. For your safety, read and understand the information contained within. The owner and operator shall have an understanding of this product and safe operating procedures before attempting to use this product. Instructions and Safety information shall be conveyed in the operators native language before use of this product is authorized. Make certain that the operator thoroughly understands the inherent dangers associated with the use and misuse of the product. If any doubt exists as to the safe and proper use of this product as outlined in this factory authorized manual, remove from service.

Inspect before each use. Do not use if broken, bent, cracked or otherwise damaged parts are noted. If any component of this product has been or suspected to have been subjected to a shock load (a load dropped suddenly, unexpectedly upon it), discontinue use until checked out by an Porto-Power Blackhawk Automotive authorized service center. Owners and operators of this equipment shall be aware that the use and subsequent repair of this equipment may require special training and knowledge. It is recommended that an annual inspection be done by qualified personnel and that any missing or damaged parts, decals, warning/safety labels or signs be replaced with factory authorized replacement parts only. Any component of this Porto-Power Kit that appears to be damaged in any way, is worn or operates abnormally shall be removed from service immediately until such time as it can be repaired/replaced. Labels and Operator's Manuals are available from manufacturer.

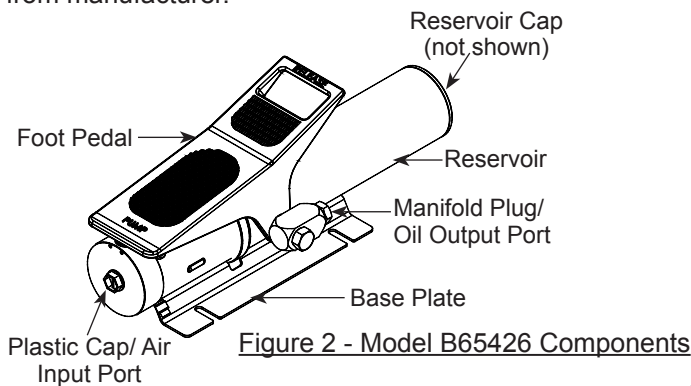


Figure 2 - Model B65426 Components

PRODUCT DESCRIPTION

Porto-Power Blackhawk Air Hydraulic Pumps are engineered to meet factory standard for performance and safety. Its unique hydraulic circuit allows quick displacement of hydraulic fluid under no load conditions and easy pumping in loaded conditions. These air actuated pumps supply compressed hydraulic fluid to compatible applications i.e. rams, presses, spreaders, compactors and crimping machines, anywhere that 10,000 PSI of fluid pressure is needed. Special skill, knowledge and training may be required for a specific task and the product may not be suitable for all the jobs described above. Unsuitable applications would include applications that call for a device to move, level or support persons, animals, hazardous materials, mobile homes/ dwellings in general, mirrors and/or plate glass, and/or to connect/secure hatches, components, etc. between bulkheads. The user must ultimately make the decision regarding suitability of the product for any given task and assume the responsibility of safety for himself or herself and others in the work area.

WARNING: To reduce the risk of personal injury and/or property damage, ensure that the rated working pressure of each pressurized attachment be equal to or greater than the rated working pressure developed by the hydraulic pump.

Always check connections before using. Alteration of these products is strictly prohibited. Use only those adapters and attachments provided and approved by the manufacturer.

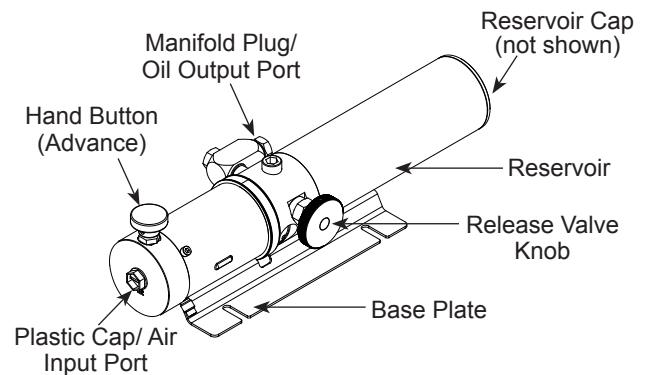


Figure 1 - Model B65424 Components

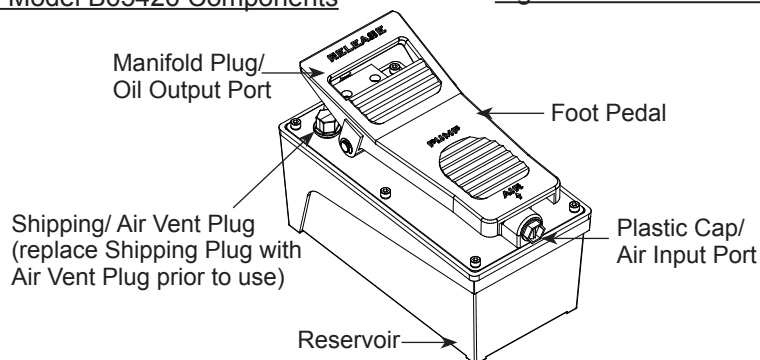


Figure 3 - Model B65425, B65427 & B65438 Components (B65425 shown)

SPECIFICATIONS

Model Number	Usable Oil Capacity (in ³)	Rated Pressure (psi)	Output Flow Rate (in ³ /min)		Input Air Pressure (psi)	Output Port Thread (Oil)	Input Port Threads (Air)
			No Load	Load			
B65424	36.6	10,000	61	9	110 - 175	3/8" -18NPTF	1/4" - 18NPT
B65426							
B65425	91.5		66	11			
B65427	122		65	12			
B65438	231.9		65	12			

⚠ WARNING



- Study, understand, and follow all instructions provided with and on this device before use.
- All WARNING statements must be carefully observed to help prevent personal injury.
- No alteration shall be made to this device.
- Always wear protective gear when operating hydraulic equipment.
- Keep hydraulic equipment away from flames and heat. Hydraulic fluid can ignite and burn. Do not operate if leaks are detected.
- **Crush Hazard.** Keep hands and feet away from loading area. Avoid pinch points or crush points that can be created by the load, ram, or any equipment of system.
- To avoid crushing and related injuries:
NEVER work on, under or around a lifted load before it is properly supported by appropriate mechanical means. Never rely on hydraulic pressure alone to support load.

HYDRAULIC PUMPS

- The user must be a qualified operator familiar with the correct operation, maintenance, and use of pumps. Lack of knowledge in any of these areas can lead to personal injury.
- Do not exceed rated capacity of the pump or any equipment in the system.
- Never attempt to lift a load weighing more than the capacity of the ram.
- Burst hazard exists if hose or connection pressure exceeds rated pressure.
- Inspect pump, ram, hoses and connections before each use to prevent unsafe conditions from developing. Do not use if they are damaged, altered or in poor condition. Do not operate the system with bent or damaged coupler or damaged threads.
- Never hold or stand directly in line with any hydraulic connections while pressurizing.
- Use gauge or other load measuring instrument to verify load.

- Never attempt to disconnect hydraulic connections under pressure. Release all line pressure before disconnecting hoses.
- Do not subject the pump and its components to shock loads.
- Use only approved accessories and hydraulic fluid.
- Never attach ANY component not authorized by manufacturer.
- Always ensure that the chosen application is stable to work on and around.
- Do not connect to application which can return more oil to the reservoir than the pump reservoir can hold.
- Do not connect pump to hydraulic system powered by another pump.
- This device is not suitable for use as support device! As the system load is lifted, use blocking and cribbing to guard against a falling load.
- All personnel must be clear before lowering load or depressurizing the system.
- Never try to disassemble a hydraulic ram, refer repairs to qualified, authorized personnel.


HYDRAULIC HOSES & FLUID TRANSMISSION LINES

- Avoid short runs of straight line tubing. Straight line runs do not provide for expansion and contraction due to pressure and/or temperature changes.
- Reduce stress in tube lines. Long tubing runs should be supported by brackets or clips. Before operating the pump, tighten all hose connections with proper tools. Do not overtighten. Connections should only be tightened securely and leak-free. Overtightening can cause premature thread failure or high pressure fittings to burst.
- Should a hydraulic hose ever rupture, burst or need to be disconnected, immediately shut off the pump and release all pressure. Never attempt to grasp a leaking pressurized hose with your hands. The force of escaping hydraulic fluid can inflict injury.
- Do not subject the hose to potential hazard such as fire, sharp objects, extreme heat/cold, or heavy impact.
- Do not allow the hose to kink, twist, curl, crush, cut or bend so tightly that the fluid flow within the hose is blocked or reduced.
- Do not pull, position or move setup by the hose.
- Hose material and coupler seals must be compatible with hydraulic fluid used. Hoses also must not come in contact with corrosive materials such as battery acid, creosote-impregnated objects and wet paint. Never paint a coupler or hose.
- Failure to heed these warnings may result in personal injury as well as property damage.


BEFORE USE AND SET UP

1. Familiarize yourself with the specifications and illustrations in this owners manual. Know your pump, its limitations and how it operates before attempting to use. Refer to specification chart on page 3 for details of oil port thread size, usable oil capacity, and more.
2. **For model B65425, B65427 & B65438:** Replace shipping plug (red color) with air vent plug (black color) before use.
3. **Air Connection:** Remove plastic cap, connect suitable air supply to air input port. Air input port is designed to fit the popular 1/4" NPT air nipple (not included). Ensure that your air source can dedicate 7.8CFM @ 110~175 PSI to each pump operated.
4. **Hydraulic Connection:** Clean all areas around the oil port of pump and ram. Inspect all threads and fitting for signs of wear or damage and replace as needed. Clean all hose ends, couplers and union ends. Remove the manifold plug, then connect oil output port to suitable fittings and application/ram.

IMPORTANT: Always secure threaded port connections with high grade, non-hardening pipe thread sealant. Teflon tape can be used if only one layer of tape is used and it is applied carefully, two threads back, to prevent the tape from being introduced into hydraulic system, which could cause jamming of precision-fit parts.

 To reduce the risk of personal injury and/or property damage, Hydraulic connections must be securely fastened before building pressure in the system. Release all system pressure before loosening any hydraulic connection in the system.

OPERATION

 Always monitor pressure, load or position using suitable equipment. Pressure may be monitored by means of an optional manifold and gauge. Load may be monitored by means of a load cell and digital indicator. Correct application position can only be determined by the operator of the equipment.

For Model B65424: (Hand Button Pump)

1. To extend the cylinder:
 - a. Close release valve by turning it clockwise firmly.
 - b. Depress the hand button on top of the air input port until desired pressure, load or position is reached.
2. To hold the cylinder in position, simply release the hand button to deactivate the pump.
3. To retract cylinder, open release valve by turning it counter-clockwise slowly.

For Models B65425, B65426, B65427 & B65438:

1. To extend the ram, depress on the foot pedal marked "Pump" (horizontal portion) until desired pressure, load or position is reached.
2. To hold the ram in position, release the foot pedal to deactivate the pump.
3. To retract the ram, depress the release valve by stepping on the foot pedal marked "Release" (raised, stirrup shaped portion).

Note: Never operate a pump which is disconnected from application. If operate in this condition, the hose and connections will become pressurized. This increases burst hazard. Damage may occur to pump and its components.

MAINTENANCE

Important: Use only good quality hydraulic fluid. **Never** use brake fluid, transmission fluid, turbine oil, motor oil, alcohol, glycerin etc. Use of other than good quality hydraulic oil will void warranty and damage the pump, hose, and application.

1. Inspect hoses and connections daily. Replace damaged components immediately.
2. Tighten connections as needed. Use non-hardening pipe thread compound when servicing connections.

Adding Hydraulic Fluid

1. Depressurize and disconnect hydraulic hose from application/ ram.
 - a. For Model B65424 & B65426:
With pump in its vertical position, remove the reservoir cap located on the reservoir.
 - b. For Model B65425, B65427 & B65438:
With pump in its upright, horizontal position, remove the air vent plug located on the top plate of the reservoir.
2. Use a small funnel to fill the oil to within 3/4" (19mm) of the opening.
3. Wipe up any spilled fluid and reinstall the air vent plug/reservoir cap.

Changing Hydraulic Fluid

1. For best results, change fluid once a year or every 300 hours of use.
2. Repeat #2 above, then pour used fluid into a sealable container.
3. Dispose of fluid in accordance with local regulations.
4. Fill with a good quality hydraulic fluid as recommended above. Reinstall air vent plug/ reservoir cap.

Lubrication

When pump is operated on daily basis, the manufacturer recommends installing an inline oiler and air dryer. Use SAE grade oil (5W to 30W).

Storage

1. When not in use, depressurize and disconnect hydraulic pump from application.
2. Wipe clean, thoroughly and store in clean, dry environment. Avoid temperature extremes.
3. For transportation or long storage, replace the air vent plug with shipping plug (for model B65425, B65427& B65438).

TROUBLESHOOTING GUIDE

The following information is intended as an aid in determining if problem exists. Pump should be repaired only by authorized Porto-Power Service Center. For repair service, contact service center in your area.

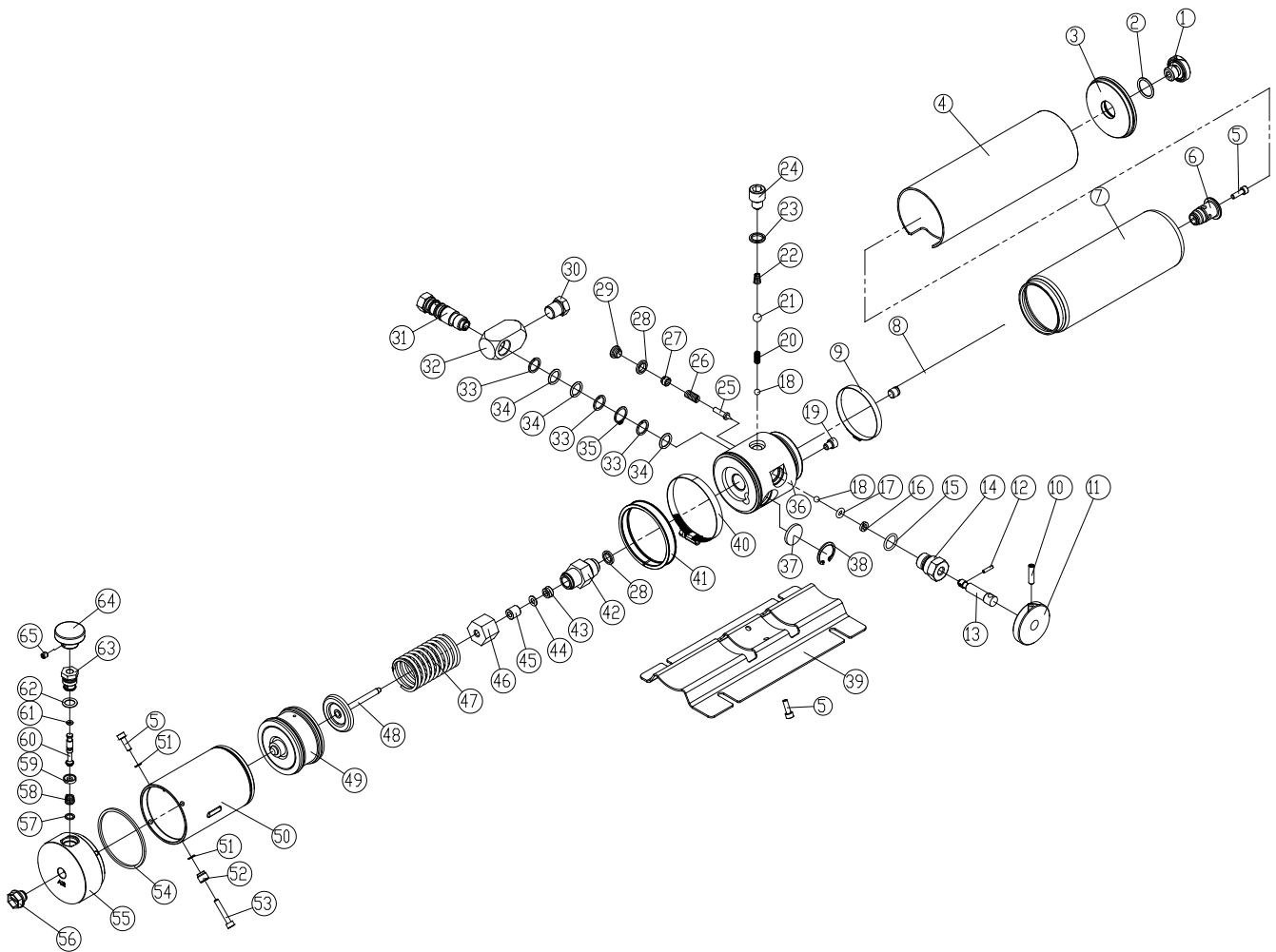
Symptom	Possible Causes	Corrective Action
Application does not extend, move or respond to pressurized fluid	<ul style="list-style-type: none"> • Overload condition • Loose couplers • Faulty couplers • Pump malfunction • Inadequate air supply 	<ul style="list-style-type: none"> • Remedy overload condition • Tighten couplers • Replace couplers • Contact service center • Ensure air source can dedicate 7.8 CFM @ 110~175 PSI
Application responds to pressurized fluid, but system does not maintain pressure	<ul style="list-style-type: none"> • Overload condition • Pump or valve malfunction • Application/connection leaking 	<ul style="list-style-type: none"> • Remedy overload condition • Contact service center • Replace application/connection
Application responds slower than normal	<ul style="list-style-type: none"> • Loose connection or coupler • Restricted hydraulic line or fitting • Application/connection leaking 	<ul style="list-style-type: none"> • Tighten connection or coupler • Clean and replace if damaged • Replace application/connection
Application does not return fluid to pump (i.e. ram will not retract)	<ul style="list-style-type: none"> • Malfunctioning coupler, damaged application 	<ul style="list-style-type: none"> • Secure load by other means. Depressurize pump and hose, remove coupler and/or application, then renew or replace
Application does not fully extend (ram or spreader)	<ul style="list-style-type: none"> • Reservoir overfilled • Fluid level in pump is low 	<ul style="list-style-type: none"> • Secure load by other means. Depressurize pump and hose, remove application, then drain fluid to proper level • Secure load by other means. Depressurize pump and hose, remove application, then fill fluid to proper level
Poor performance	<ul style="list-style-type: none"> • Fluid level in pump is low 	<ul style="list-style-type: none"> • Ensure proper fluid level

REPLACEMENT PARTS

(refer to page 6 thru 15)

Not all components of the pump are replacement items, but are illustrated as a convenient reference of location and position in the assembly sequence. When ordering parts, give Model number, serial number and description below. Call or write for current pricing: SFA Companies 10939 N. Pomona Ave. Kansas City, MO 64153, U.S.A. Tel:(888)332-6419 Fax:(816)891-6599 E-Mail: sales@blackhawk-automotive.com

Replacement Parts Illustration for Model B65424



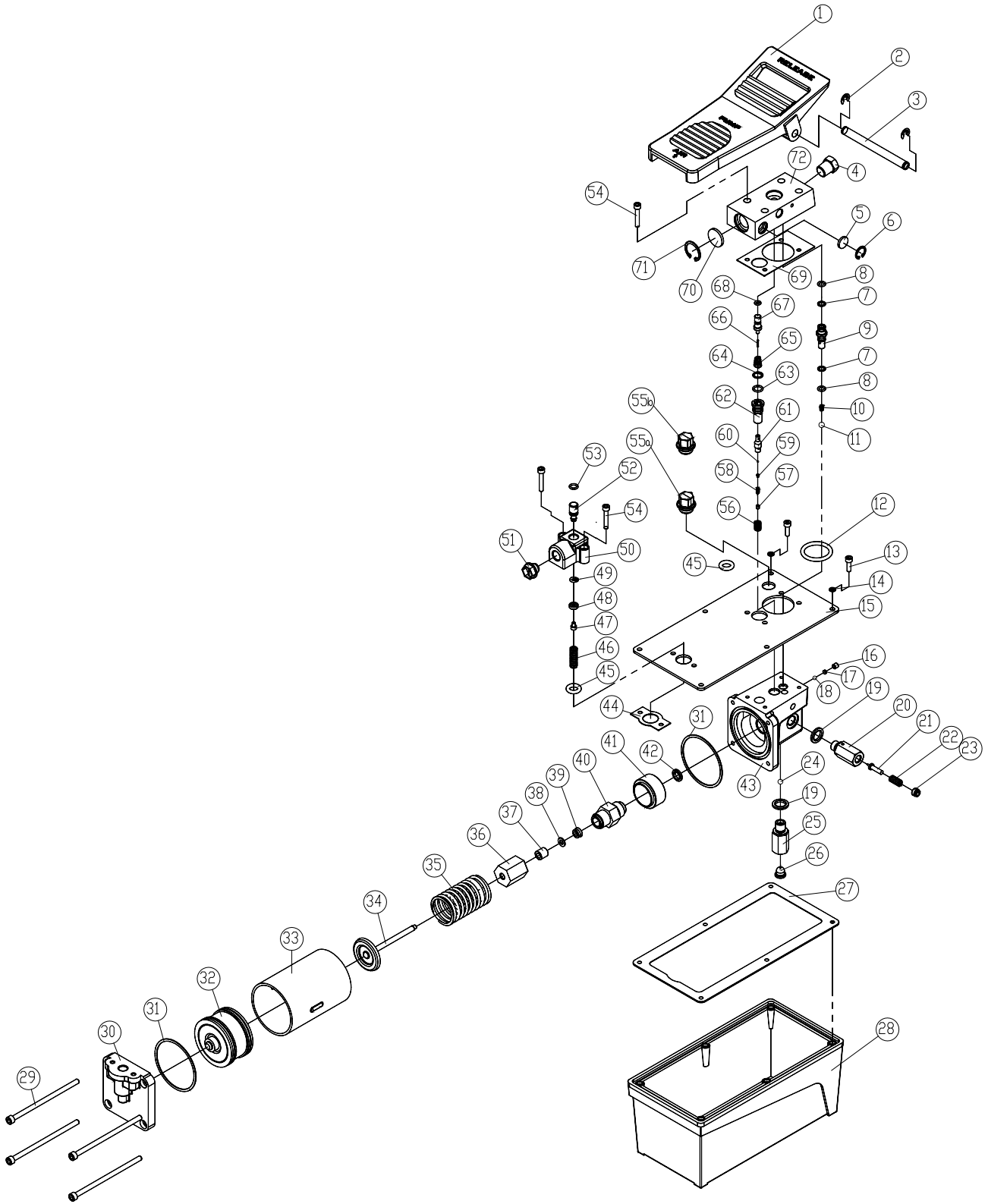
Replacement Parts List for Model B65424

Item	Part#	Description	Qty
1	A18-6-5011-101	Reservoir cover	1
2	*	O-ring	1
3	A18-6-5012-204	Cover	1
4	A18-6-5003-102	Cylinder	1
5	649-1-0050-055	Screw	5
6	A18-6-5008-203	Cover adapter	1
7	*	Reservoir	1
8	A18-6-5004-205	Steel bar	1
9	*	Bundle	1
10	644-1-0060-301	Screw	1
11	H28-6-1302-105	Release turntable	1
12	601-4-0030-040	Spring pin	1
13	A16-6-5007-106	Release valve	1
14	A16-6-5008-108	Release valve seat	1
15	*	O-ring	1
16	*	Back-up ring	1
17	*	O-ring	1
18	601-7-0008-009	Steel ball	2
19	522-8-0113-107	Filter	1
20	512-2-0063-104	Compression spring	1
21	601-7-0012-000	Steel ball	1
22	552-2-0080-106	Bevel compression spring	1
23	*	Special Washer	1
24	A16-6-5006-104	Screw	1
25	A17-6-1216-102	Needle valve	1
26	512-2-0067-010	Compression spring	1
27	A17-5-1603-300	Adjust screw	1
28	*	Special Washer	2
29	414-6-1215-509	Screw	1
30	D05-6-1001-106	Nut	1
31	A18-6-5001-209	Oil outlet valve seat	1
32	A18-6-5002-201	Adapter	1
33	*	Back-up ring	3
34	*	O-ring	3
35	667-5-0180-009	C-clip	1

Item	Part#	Description	Qty
36	A16-6-5009-908	Base	1
37	A17-6-1002-103	Muffler	1
38	666-5-0250-108	C-clip	1
39	A18-6-5009-104	Plank	1
40	A18-6-5028-108	Bundle	1
41	A18-6-5014-107	Cylinder loop	1
42	A59-6-1013-105	Pump	1
43	*	U-cup	1
44	*	Back-up ring	1
45	A27-6-2023-205	Bush	1
46	A18-6-5024-100	Pump cover	1
47	512-2-0410-017	Compression spring	1
48	A18-3-5026-106	Piston assy.	1
49	A17-4-2100-500	Air piston assy.	1
50	A18-5-5016-105	Cylinder	1
51	*	Washer	4
52	A18-6-5030-105	Screw bushing	2
53	649-1-0050-046	Screw	2
54	*	Washer	1
55	A16-6-5003-108	Cylinder cover	1
56	A17-6-1105-103	Plastic cover	1
57	A16-6-5005-102	Washer	1
58	552-2-0108-010	Bevel compression spring	1
59	*	Washer	1
60	A16-6-5001-104	Air entrance valve	1
61	*	O-ring	1
62	*	O-ring	1
63	A16-6-5002-106	Air entrance valve seat	1
64	A16-6-5004-100	Button	1
65	644-1-0060-05311	Screw	1
(*)	A16-3-9900-100	Seal kit	-

(*) indicated items included in, and available only as part of Seal Kit

Replacement Parts Illustration for Model B65425



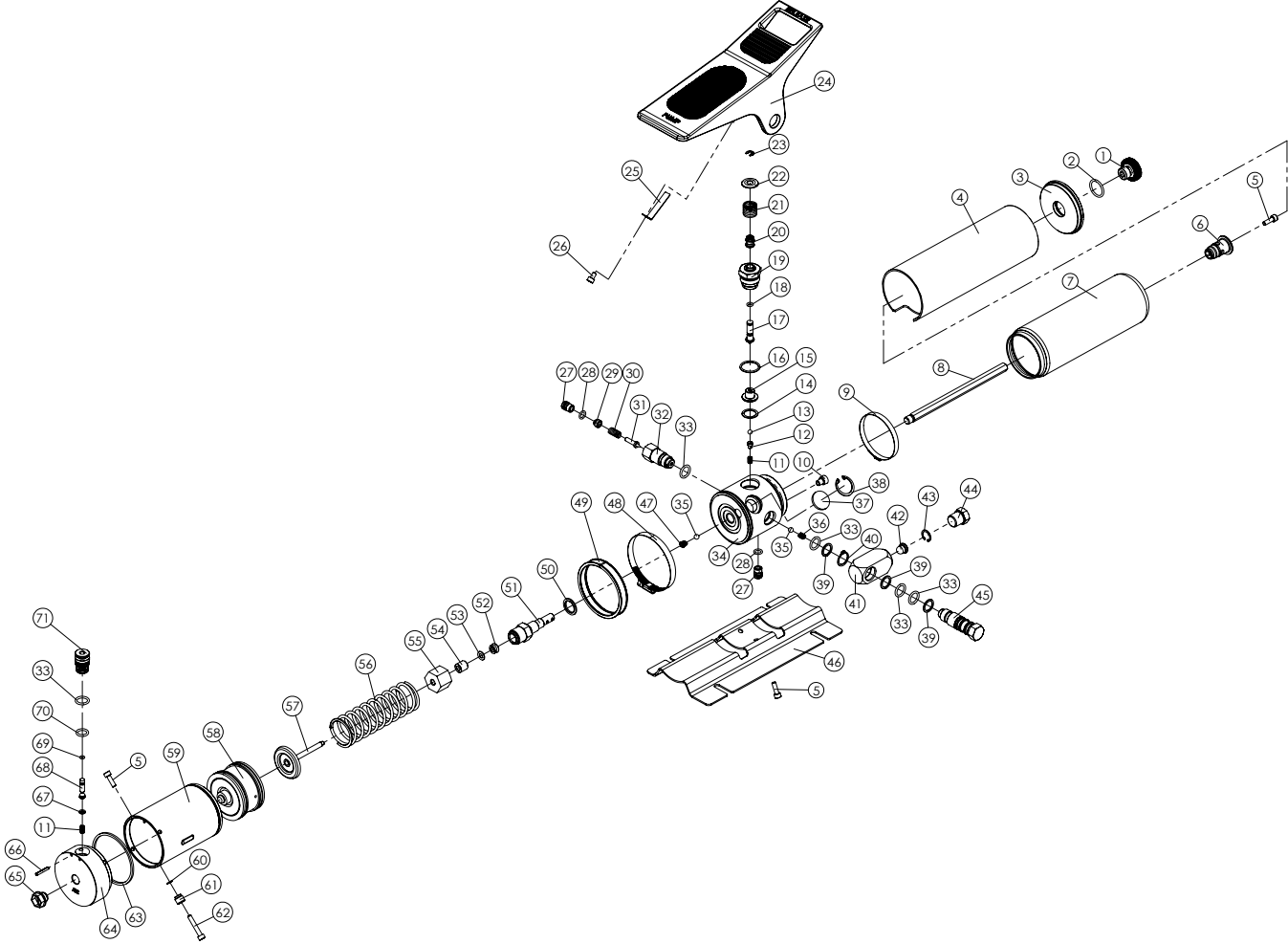
Replacement Parts List for Model B65425

Item	Part#	Description	Qty
1	A57-6-2001-108	Foot pedal	1
2	*	E-clip	2
3	A57-6-2003-102	Foot pedal axle	1
4	D05-6-1001-106	Manifold plug	1
5	A57-6-3007-105	Noise suppressor	1
6	666-5-0160-107	C-clip	1
7	*	Back-up ring	2
8	*	O-ring	2
9	A57-6-4002-201	Oil outlet valve	1
10	512-2-0043-108	Compression spring	1
11	601-7-0009-001	Steel ball	1
12	511-7-0410-102	O-ring	1
13	649-1-0050-055	Allen Screw	6
14	*	Copper washer	6
15	A57-6-1603-202	Reservoir top plate	1
16	644-1-0060-053	Screw	1
17	503-9-0050-106	Steel ball seat	1
18	601-7-0006-005	Steel ball	1
19	*	Special washer	2
20	A59-6-1017-102	High pressure valve	1
21	A17-6-1216-102	Valve stem	1
22	512-2-0067-010	Compression spring	1
23	A17-5-1603-300	Pressure adjust nut	1
24	601-7-0008-009	Steel ball	1
25	A59-6-1015-108	Oil entrance valve	1
26	520-8-0134-101	Filter	1
27	*	Gasket	1
28	A57-6-1601-107	Reservoir	1
29	649-1-0060-122	Allen Screw	4
30	A57-6-1002-105	Motor cover	1
31	A17-6-2105-108	Gasket	2
32	A17-4-2100-500	Air piston assy.	1
33	A57-6-1003-107	Cylinder	1
34	A57-3-1011-108	Piston assy.	1
35	512-2-0410-017	Compression spring	1
36	A57-6-1014-102	Piston cover	1
37	A57-6-2023-108	Bushing	1

38	573-7-0120-105	Back-up ring	1
39	*	U-cup	1
40	A59-6-1013-105	Pump piston	1
Item	Part#	Description	Qty
41	A57-6-1016-106	Washer	1
42	H18-6-8103-104	Special washer	1
43	A57-6-1001-204	Base	1
44	A57-6-1605-105	Gasket	1
45	511-7-0140-200	O-ring	2
46	512-2-0092-101	Compression spring	1
47	649-1-0040-007	Allen Screw	1
48	A57-6-5004-109	Air entrance cap	1
49	511-7-0053-104	O-ring	1
50	A57-6-5001-103	Air entrance base	1
51	A17-6-1105-103	Plastic cap (air)	1
52	A57-6-5003-107	Air entrance valve	1
53	511-7-0080-309	O-ring	1
54	649-1-0050-046	Allen Screw	6
55a	A57-3-5007-107	Shipping plug (red)	1
55b	A57-3-1900-109	Air vent plug (black)	1
56	512-2-0061-100	Compression spring	1
57	644-1-0040-204	Screw	1
58	*	Compression spring	1
59	503-9-0035-100	Steel ball block	1
60	601-7-0003-009	Steel ball	1
61	A57-6-3003-305	Release valve	1
62	A57-6-3004-307	Release valve seat	1
63	*	O-ring	1
64	*	Back-up ring	1
65	552-2-0010-105	Compression spring	1
66	*	Release valve pin	1
67	A57-6-3001-112	Release valve guide	1
68	*	O-ring	1
69	*	Gasket	1
70	A17-6-1002-103	Noise suppressor	1
71	6 66-5-0250-108	C-clip	1
72	A57-6-4001-209	Oil manifold	1
(*)	A57-3-9901-101	Repair kit	1

(*) indicated items included in, and available only as part of Repair kit

Replacement Parts Illustration for Model B65426



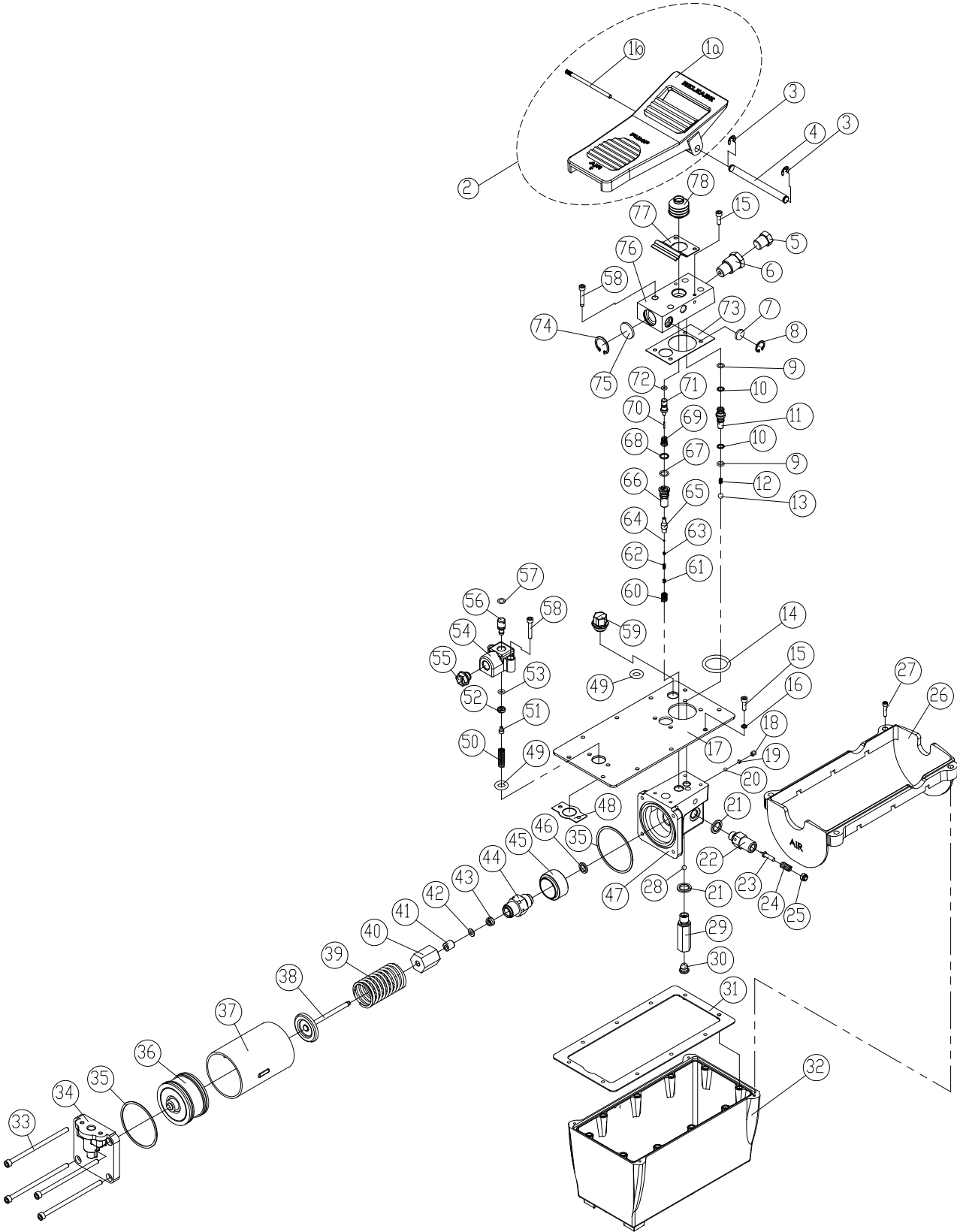
Replacement Parts List for Model B65426

Item	Part#	Description	Qty
1	A18-6-5011-101	Reservoir cover	1
2	*	O-ring	1
3	A18-6-5012-204	Cover	1
4	A18-6-5003-102	Cylinder	1
5	649-1-0050-055	Screw	5
6	A18-6-5008-203	Cover adapter	1
7	*	Reservoir	1
8	A18-6-5004-205	Steel bar	1
9	*	Bundle	1
10	522-8-0113-107	Filter	1
11	512-2-0060-034	Compressing spring	2
12	503-9-0075-102	Steel ball block	1
13	601-7-0007-007	Steel ball block	1
14	*	Copper washer	1
15	A18-6-5006-209	Release valve	1
16	*	O-ring	1
17	A18-6-5005-106	Release bar	1
18	*	O-ring	1
19	A18-6-5007-201	Release valve seat	1
20	A18-6-5034-103	Dust cap	1
21	511-2-0181-103	Compressing spring	1
22	A18-6-5023-108	Spring cover	1
23	677-5-0050-105	E-clip	1
24	A18-6-5021-104	Foot pedal	1
25	A18-6-5033-101	Wear plate	1
26	649-1-0050-028	Screw	1
27	A17-6-2601-100	Screw	2
28	*	O-ring	2
29	A17-5-1603-300	Adjust screw	1
30	512-2-0067-010	Compressing spring	1
31	A17-6-1216-102	Nail	1
32	A18-6-5018-105	High pressure valve seat	1
33	*	O-ring	5
34	N/A	Base	1
35	601-7-0008-009	Steel Ball	2
36	512-2-0063-104	Compressing spring	1

37	A17-6-1002-103	Silencer	1
38	666-5-0250-108	C-Clip	1
39	*	Back-up ring	3
40	667-5-0180-009	C-clip	1
41	A18-6-5002-201	Adapter	1
42	520-8-0134-101	Filter	1
43	666-5-0150-104	C-Clip	1
44	D05-6-1001-106	Nut	1
45	A18-6-5001-209	Oil outlet valve seat	1
46	A18-6-5009-104	Plank	1
47	552-2-0008-108	Compressing spring	1
48	A18-6-5028-108	Bundle	1
49	A18-6-5014-107	Cylinder loop	1
50	*	Special Washer	1
51	A18-6-5013-105	Pump	1
52	*	U-cup	1
53	*	Back-up ring	1
54	A27-6-2023-205	Bush	1
55	A18-6-5024-100	Pump cover	1
56	512-2-0410-017	Compressing spring	1
57	A18-3-5026-106	Piston assy.	1
58	A17-4-2100-500	Air piston assy.	1
59	A18-5-5016-105	Cylinder	1
60	*	Washer	4
61	A18-6-5030-105	Screw bush	2
62	649-1-0050-046	Screw	2
63	*	Washer	1
64	A18-5-5017-107	Cylinder cover	1
65	A17-6-1105-103	Plastic cover	1
66	601-4-0030-059	Spring pin	2
67	*	O-ring	1
68	A18-6-5019-107	Air entrance valve	1
69	*	O-ring	1
70	*	O-ring	1
71	A18-6-5020-102	Air entrance valve seat	1
-	A18-3-9900-104	Repair kit	1

(*) indicated items included in, and available only as part of Repair kit

Replacement Parts Illustration for Model B65427



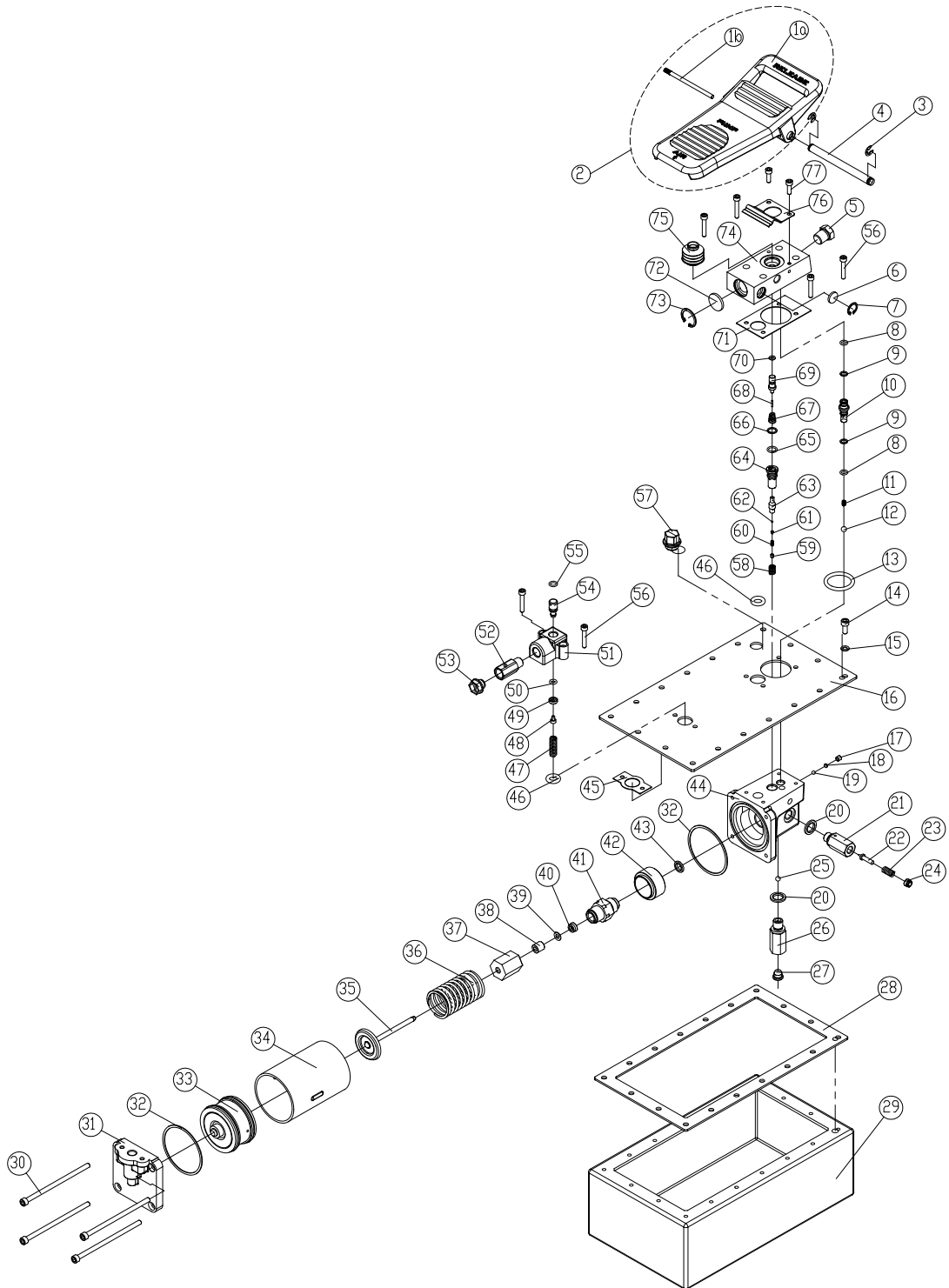
Replacement Parts List for Model B65427

Item	Part#	Description	Qty
1a	N/A	Foot pedal	1
1b	N/A	Steel bar	1
2	A57-4-6003-100	Foot pedal w/ steel bar	-
3	*	Pedal axle e-clip	2
4	A57-6-2003-102	Pedal axle	1
5	D05-6-1001-106	Manifold plug (oil output port)	1
6	A58-6-6008-109	Output coupler	1
7	A57-6-3007-105	Noise suppressor	1
8	666-5-0160-107	C-clip	1
9	*	O-ring	2
10	*	Back-up ring	2
11	A57-6-4002-201	Oil discharge valve	1
12	512-2-0043-108	Compression spring	1
13	601-7-0009-001	Steel ball	1
14	511-7-0410-102	O-ring	1
15	649-1-0050-055	Allen screw (M5x0.8x15L)	12
16	*	Copper washer	10
17	A58-5-1603-102	Top reservoir plate	1
18	644-1-0060-053	Set screw	1
19	503-9-0050-106	Steel ball seat	1
20	601-7-0006-005	Steel ball	1
21	*	Crush washer	2
22	A58-6-1017-105	Pressure relief valve cylinder	1
23	A17-6-1216-102	Pressure relief valve stem	1
24	512-2-0067-010	Compression spring	1
25	A17-5-1603-300	Pressure relief valve screw	1
26	A58-6-2201-103	Reservoir spacer	1
27	649-1-0040-108	Allen screw	4
28	601-7-0008-009	Steel ball	1
29	A58-6-1015-101	Oil intake valve	1
30	520-8-0134-101	Filter	1
31	*	Gasket	1
32	A58-5-1602-100	Reservoir	1
33	649-1-0060-122	Allen Screw	4
34	A57-6-1002-105	Motor cover	1
35	A17-6-2105-108	Gasket	2
36	A17-4-2100-500	Air motor piston assy.	1
37	A57-6-1003-107	Cylinder, air motor piston	1
38	A27-3-2200-102	Pump piston	1
39	512-2-0410-017	Compression spring	1
40	A57-6-1014-102	Pump piston guide	1

Item	Part#	Description	Qty
41	A27-6-2023-205	Bushing	1
42	573-7-0120-105	Back-up ring	1
43	*	U-cup	1
44	A58-6-1013-107	Pump piston cylinder	1
45	A57-6-1016-106	Spacer	1
46	H18-6-8103-104	Crush washer	1
47	A57-6-1001-204	Base	1
48	A57-6-1605-105	Gasket	1
49	511-7-0140-200	O-ring	2
50	512-2-0092-101	Compression spring	1
51	649-1-0040-007	Allen screw (M4 x 0.7 x 6L)	1
52	A57-6-5004-109	Air intake cap	1
53	511-7-0053-104	O-ring	1
54	A57-6-5001-103	Air manifold	1
55	A17-6-1105-103	Plastic cap (air)	1
56	A57-6-5003-107	Air intake valve	1
57	511-7-0080-309	O-ring	1
58	649-1-0050-046	Allen screw (M5x0.8x30L)	6
59a	A57-3-5007-107	Shipping plug (red)	1
59b	A57-3-1900-109	Air vent plug (black)	1
60	512-2-0061-100	Compression spring	1
61	644-1-0040-204	Lower assy. bolt, release valve	1
62	*	Compression spring	1
63	503-9-0035-100	Steel ball seat	1
64	601-7-0003-009	Steel ball	1
65	A57-6-3003-305	Release valve	1
66	A57-6-3004-307	Release valve seat	1
67	*	O-ring	1
68	*	Back-up ring	1
69	552-2-0010-105	Compression spring	1
70	*	Release valve pin	1
71	A57-6-3001-112	Release valve cap	1
72	*	O-ring	1
73	*	Gasket	1
74	666-5-0250-108	C-clip	1
75	A17-6-1002-103	Noise suppressor	1
76	A57-6-6004-104	Oil manifold	1
77	A57-6-5101-107	Detent spring	1
78	A57-6-6005-106	Dust boot	1
(*)	A58-3-9903-102	Repair kit	-

(*) indicated items included in, and available only as part of Repair kit

Replacement Parts Illustration for Model B65438



Replacement Parts List for Model B65438

Item	PA3801 Part#	Description	Qty
1a	N/A	Foot pedal	1
1b	N/A	Steel bar	1
2	A57-4-6003-100	Foot pedal w/ steel bar	-
3	*	Pedal axle e-clip	2
4	A57-6-2003-102	Pedal axle	1
5	D05-6-1001-106	Manifold plug (oil output port)	1
6	A57-6-3007-105	Noise suppressor	1
7	666-5-0160-107	C-clip	1
8	*	O-ring	2
9	*	Back-up ring	2
10	A57-6-4002-201	Oil discharge valve	1
11	512-2-0043-108	Compression spring	1
12	601-7-0009-001	Steel ball	1
13	511-7-0410-102	O-ring	1
14	649-1-0060-040	Allen screw (M6 x 1 x 15L)	18
15	*	Washer	18
16	A57-6-6008-102	Reservoir top plate	1
17	644-1-0060-05311	Set screw	1
18	503-9-0050-106	Steel ball seat	1
19	601-7-0006-005	Steel ball	1
20	*	Crush washer	2
21	A59-6-1017-102	Pressure relief valve cylinder	1
22	A17-6-1216-102	Pressure relief valve stem	1
23	512-2-0067-010	Compression spring	1
24	A17-5-1603-300	Pressure relief valve screw	1
25	601-7-0008-009	Steel ball	1
26	A57-6-6006-108	Oil intake valve	1
27	520-8-0134-101	Filter	1
28	A57-6-6009-104	Reservoir gasket	1
29	A57-6-6007-201	Reservoir	1
30	649-1-0060-122	Thru bolt, air motor	4
31	A57-6-1002-105	End plate, air motor	1
32	A17-6-2105-108	Gasket	2
33	A17-4-2100-500	Air motor piston	1
34	A57-6-1003-107	Cylinder, air motor piston	1
35	A27-3-2200-102	Pump piston	1
36	512-2-0410-017	Compression spring	1
37	A57-6-1014-102	Pump piston guide	1

38	A27-6-2023-205	Bushing	1
39	573-7-0120-105	Back-up ring	1
40	*	U-cup	1
Item	PA3801 Part#	Description	Qty
41	A58-6-1013-107	Pump piston cylinder	1
42	A57-6-1016-106	Spacer	1
43	H18-6-8103-104	Crush washer	1
44	A57-6-1001-204	Base, hydraulic unit	1
45	A57-6-1605-105	Gasket	1
46	511-7-0140-200	O-ring	2
47	512-2-0092-101	Compression spring	1
48	649-1-0040-007	Allen screw	1
49	A57-6-5004-109	Air intake cap	1
50	511-7-0053-104	O-ring	1
51	A57-6-5001-103	Air manifold	1
52	A57-6-2062-108	Intake coupler	1
53	A17-6-1105-103	Plastic cap (air)	1
54	A57-6-5003-107	Air intake valve	1
55	511-7-0080-309	O-ring	1
56	649-1-0050-046	Allen screw	6
57a	A57-3-5007-107	Shipping plug (red)	1
57b	A57-3-1900-109	Air vent plug (black)	1
58	512-2-0061-100	Compression spring	1
59	644-1-0040-204	Allen screw	1
60	*	Compression spring	1
61	503-9-0035-100	Steel ball seat	1
62	601-7-0003-009	Steel ball	1
63	A57-6-3003-305	Release valve	1
64	A57-6-3004-307	Release valve guide	1
65	*	O-ring	1
66	*	Back-up ring	1
67	552-2-0010-105	Compression spring	1
68	*	Release valve pin	1
69	A57-6-3001-112	Release valve guide	1
70	*	O-ring	1
71	*	Gasket	1
72	A17-6-1002-103	Noise suppressor	1
73	666-5-0250-108	C-clip	1
74	A57-6-6004-104	Oil manifold	1
75	A57-6-6005-106	Dust boot	1
76	A57-6-5101-107	Detent spring	1
77	649-1-0050-055	Allen screw	2
(*)	A57-3-9911-104	Seal kit	-

(*) indicated items included in, and available only as part of Seal Kit

ONE YEAR LIMITED WARRANTY

For a period of one (1) year from date of purchase, SFA Companies will repair or replace, at its option, without charge, any of its products which fails due to a defect in material or workmanship under normal usage. This limited warranty is a consumer's exclusive remedy.

Performance of any obligation under this warranty may be obtained by returning the warranted product, freight prepaid, to SFA Companies Warranty Service Department, 10939 N. Pomona Ave., Kansas City, MO 64153.

Except where such limitations and exclusions are specifically prohibited by applicable law.

- (1) THE CONSUMER'S SOLE AND EXCLUSIVE REMEDY SHALL BE THE REPAIR OR REPLACEMENT OF DEFECTIVE PRODUCTS AS DESCRIBED ABOVE.
- (2) SFA COMPANIES SHALL NOT BE LIABLE FOR ANY CONSEQUENTIAL OR INCIDENTAL DAMAGE OR LOSS WHATSOEVER.
- (3) ANY IMPLIED WARRANTIES, INCLUDING WITHOUT LIMITATION THE IMPLIED WARRANTIES OF MERCHANTABILITY AND FITNESS FOR A PARTICULAR PURPOSE, SHALL BE LIMITED TO ONE YEAR, OTHERWISE THE REPAIR, REPLACEMENT OR REFUND AS PROVIDED UNDER THIS EXPRESS LIMITED WARRANTY IS THE EXCLUSIVE REMEDY OF THE CONSUMER, AND IS PROVIDED IN LIEU OF ALL OTHER WARRANTIES, EXPRESS OR IMPLIED.
- (4) ANY MODIFICATION, ALTERATION, ABUSE, UNAUTHORIZED SERVICE OR ORNAMENTAL DESIGN VOIDS THIS WARRANTY AND IS NOT COVERED BY THIS WARRANTY.

Some states do not allow limitations on how long an implied warranty lasts, so the above limitation may not apply to you. Some states do not allow the exclusion or limitation of incidental or consequential damages, so the above limitation or exclusion may not apply to you. This warranty gives you specific legal rights, and you may also have other rights which vary from state to state.

SFA Companies
10939 N. Pomona Ave. Kansas City, MO 64153
Tel: 888-332-6419
E-mail: sales@blackhawk-automotive.com