

USER MANUAL

Model# 686032 Painters Prep-Station

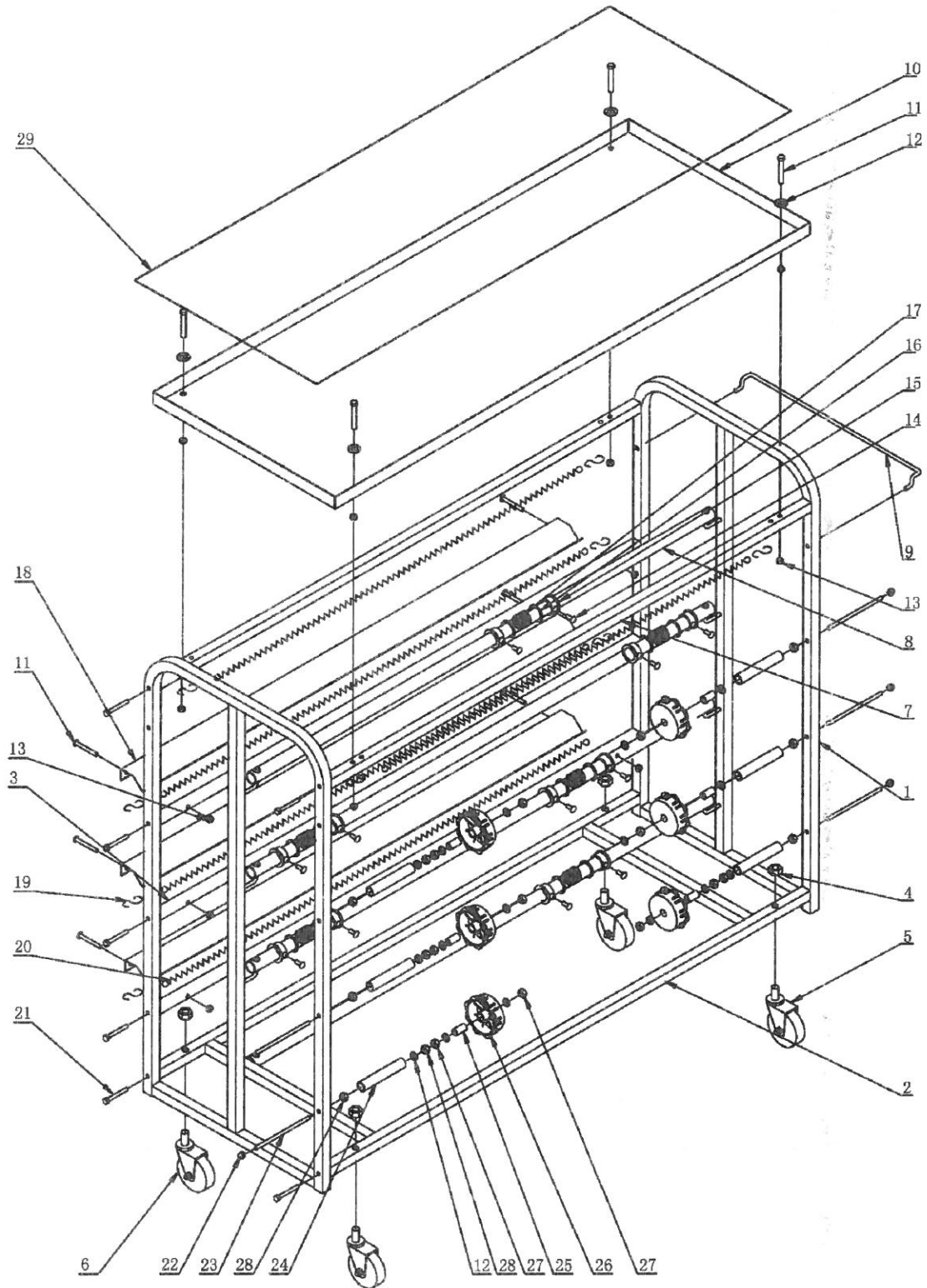
- The Prep Station holds the most popular sizes of masking paper.
- It features a separate bar for plastic Rolls.
- A convenient upper tray that can hold tools and supplies.



Chassis Liner Supply, 11500 South Pipeline Rd., Euless, TX 76040
Phone: 1-800-242-1448 Service: 1-866-711-8898



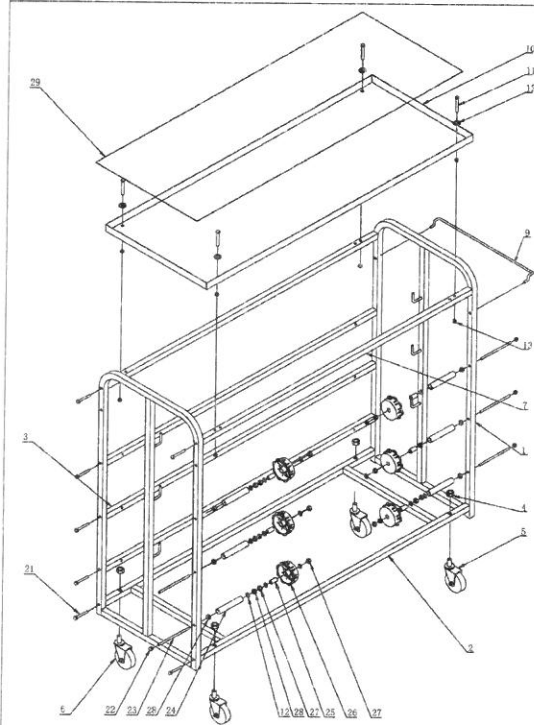
PARTS BREAKDOWN



686032 - Painters Prep Station			
Item	Part#	Description	Qty
1	686032-2100	End Frame	2
2	686032-2200ZP	Lower Frame	1
3	686032-2111ZP	Paper Shear Connecting Tube	3
4	41100002W	Hex Head Nut, M10	4
5	91100751W	Swivel Caster, 3" with Brake	2
6	91100752W	Swivel Caster, 3"	2
7	686032-2105ZP	Connecting Tube	2
8	686032-2106	Connecting Hanger Tube	4
9	686032-2108	Handle	1
10	686032-2107	Tool Tray Holder	1
11	23060352W	Screw, Phillips Head, M6 x 35mm	10
12	30060012W	Flat Washer, Large OD, φ6mm	22
13	41060002W	Nylon Locking Nut, M6	10
14	29050122W	Thumb Screw, m5 x 12mm	12
15	686030-3004	Retaining Collar	12

Item	Part#	Description	Qty
16	686030-3005	Spacer Washer	12
17	686030-3006	Compression Spring	6
18	686032-2110	Paper Shear	3
19	686032-2001	S-Hook	8
20	686032-2112	Extension Spring	4
21	10060452W	Hex Head Bolt, M6 x 45mm	14
22	45060002W	Acorn Cap Nut, M6	6
23	15061802W	Threaded Rod, M6 x 180mm	6
24	686032-2109	Bushing (Steel)	6
25	686030-3002	Bushing	6
26	686030-3003	Plastic Tape Roll Holder	6
27	46060002W	Hex Head Nut, Thick Lock, M6	12
28	40080002W	Hex Head Nut, M6	12
29	92033002B	Protective Edge Trim, 3300mm	1

ASSEMBLY INSTRUCTIONS

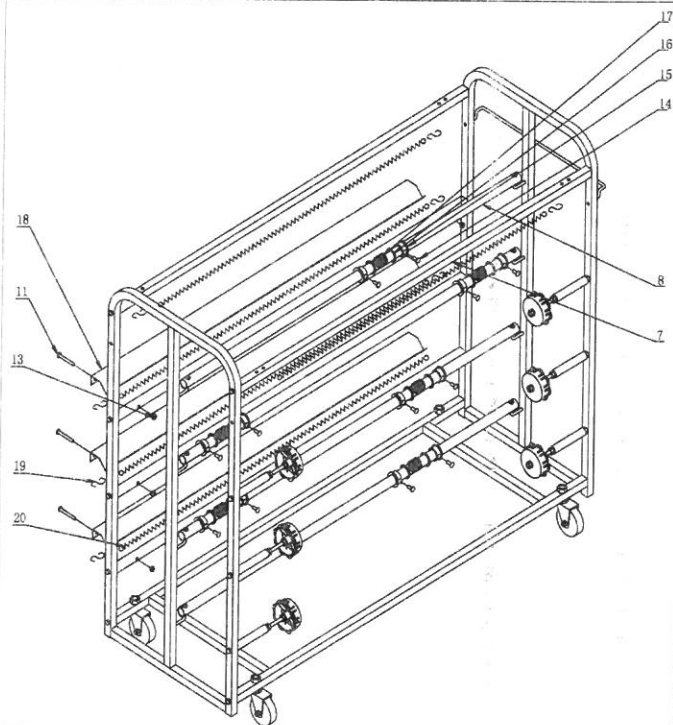


STEP 1.

Assemble the **Frame, Ends, Tray Holder, Handle, and Caster Wheels.**

STEP 2.

Assemble the **Plastic Tape Roll Holders** to the **End Frames** (as shown in the assembly diagram).



STEP 3.

Assemble the **Paper Shears** to the **Connecting Tubes.**

STEP 4.

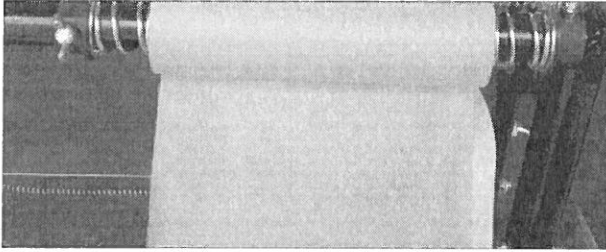
Attach the **Extension Springs** to the **Paper Shears.**

STEP 5.

Assemble the **Retaining Collars, Compression Springs, and Spacer Washers** to the **Connecting Hanger Tubes.**

HOW TO USE

Figure 1



STEP 1.

- Load the paper as shown in Figure 1.
- Compress the **Retaining Collars** against the **Compression Springs** so there is a slight tension on the paper roll.

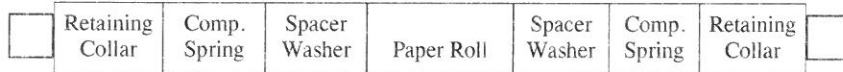
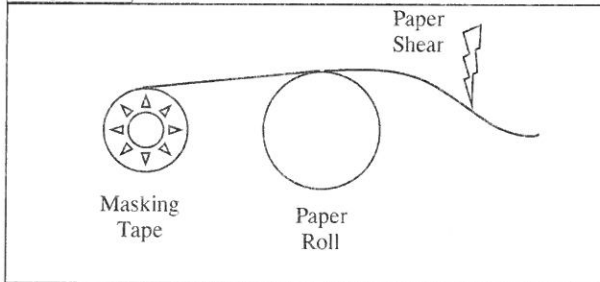


Figure 2



STEP 2.

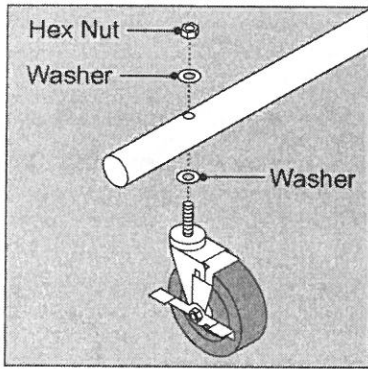
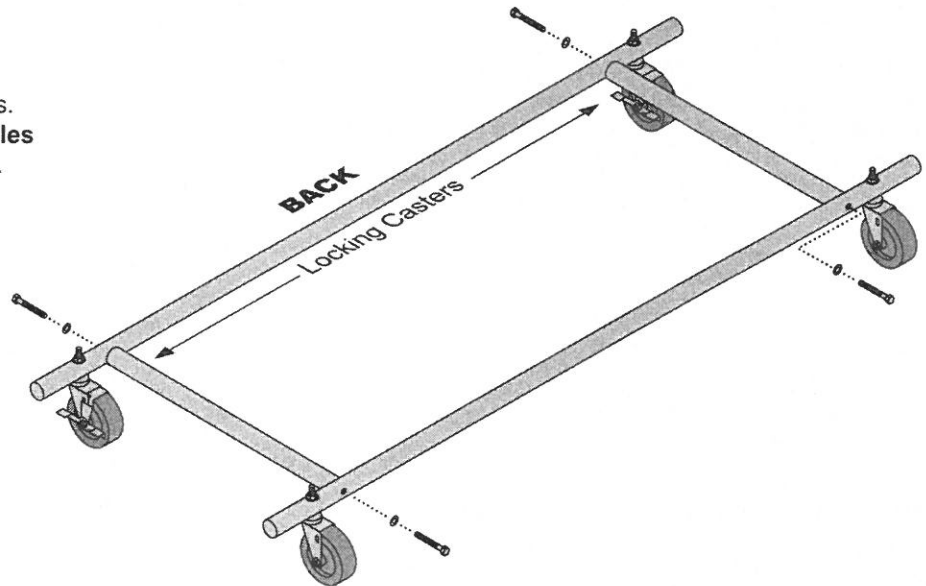
- Adjust the Nuts to align the Masking Tape to the Paper with the desired overhang.
- Attach the Masking Tape to the top side of the Paper Roll.

STEP 3.

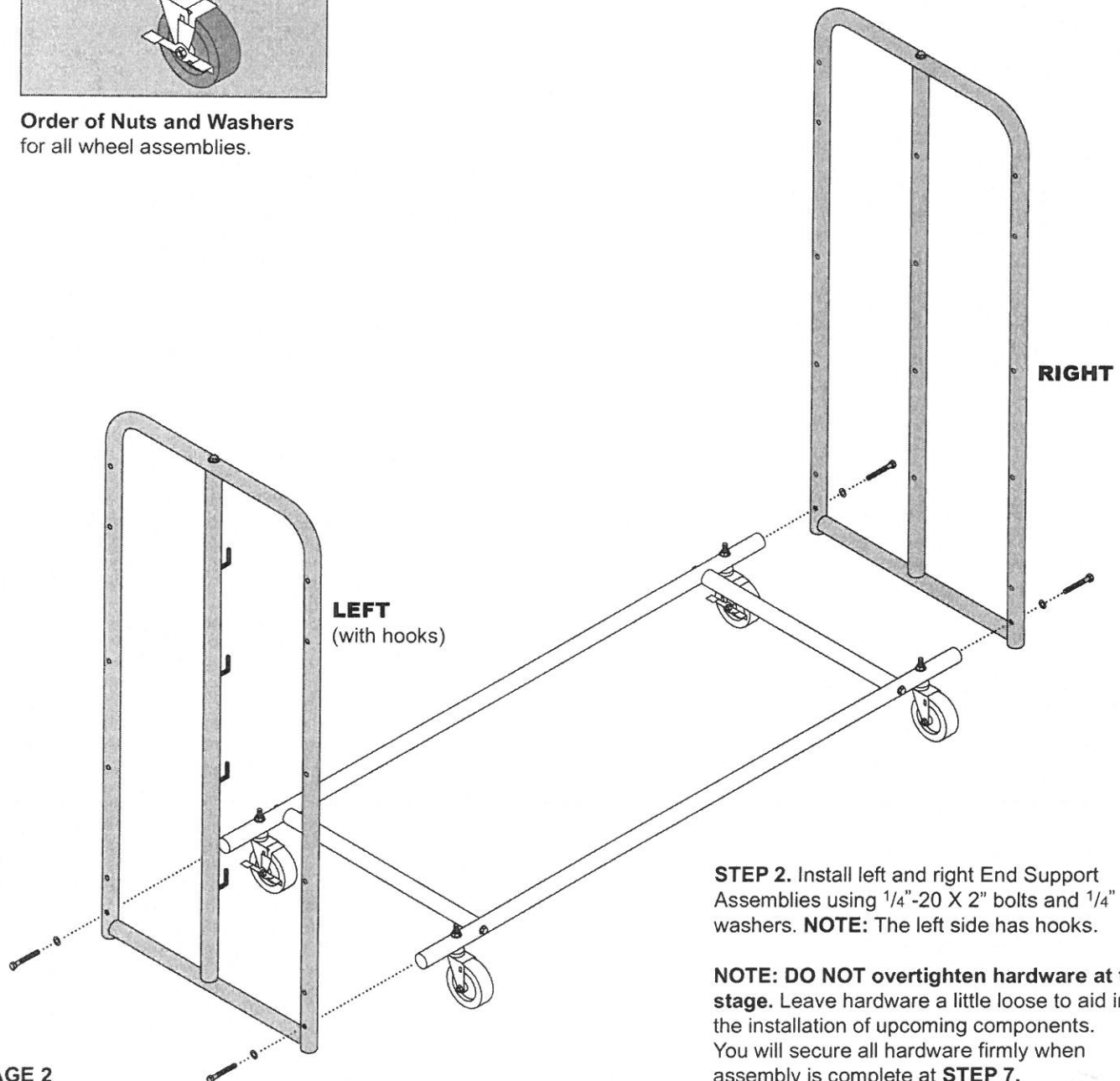
- Feed the Paper and Masking Tape in between the Extension Spring and the cutting edge of the Paper Shear.
- Make any needed adjustments.

STEP 1. Assemble the wheel base using 1/4"-20 X 2" bolts, 1/4" washers. **Next**, assemble and attach the casters using 3/8" washers and 3/8"-16 Hex Nuts. **Note the locations of all punched holes** in all tubing to ensure proper assembly.

NOTE: The 2 locking casters will be installed at the **BACK** of the base.



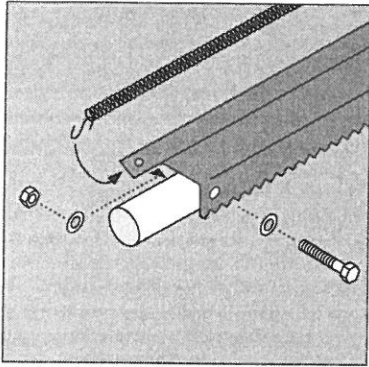
Order of Nuts and Washers for all wheel assemblies.



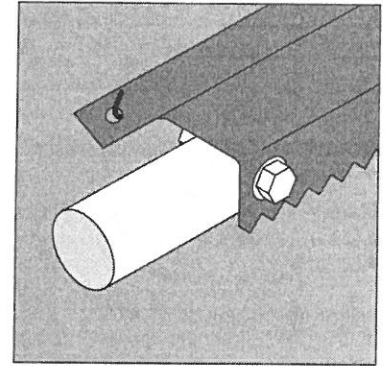
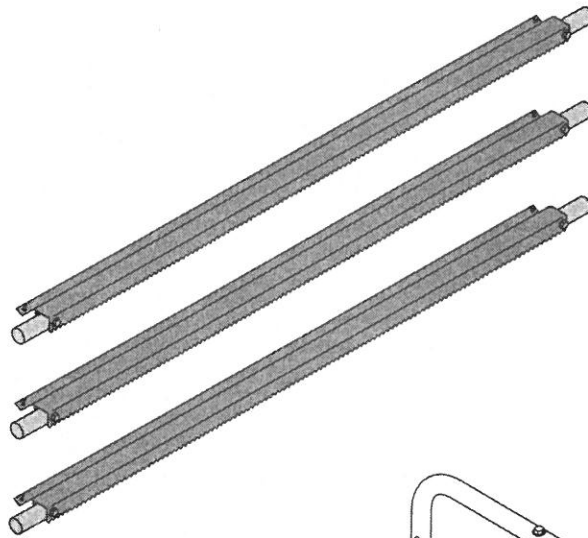
STEP 2. Install left and right End Support Assemblies using 1/4"-20 X 2" bolts and 1/4" washers. **NOTE:** The left side has hooks.

NOTE: DO NOT overtighten hardware at this stage. Leave hardware a little loose to aid in the installation of upcoming components. You will secure all hardware firmly when assembly is complete at **STEP 7.**

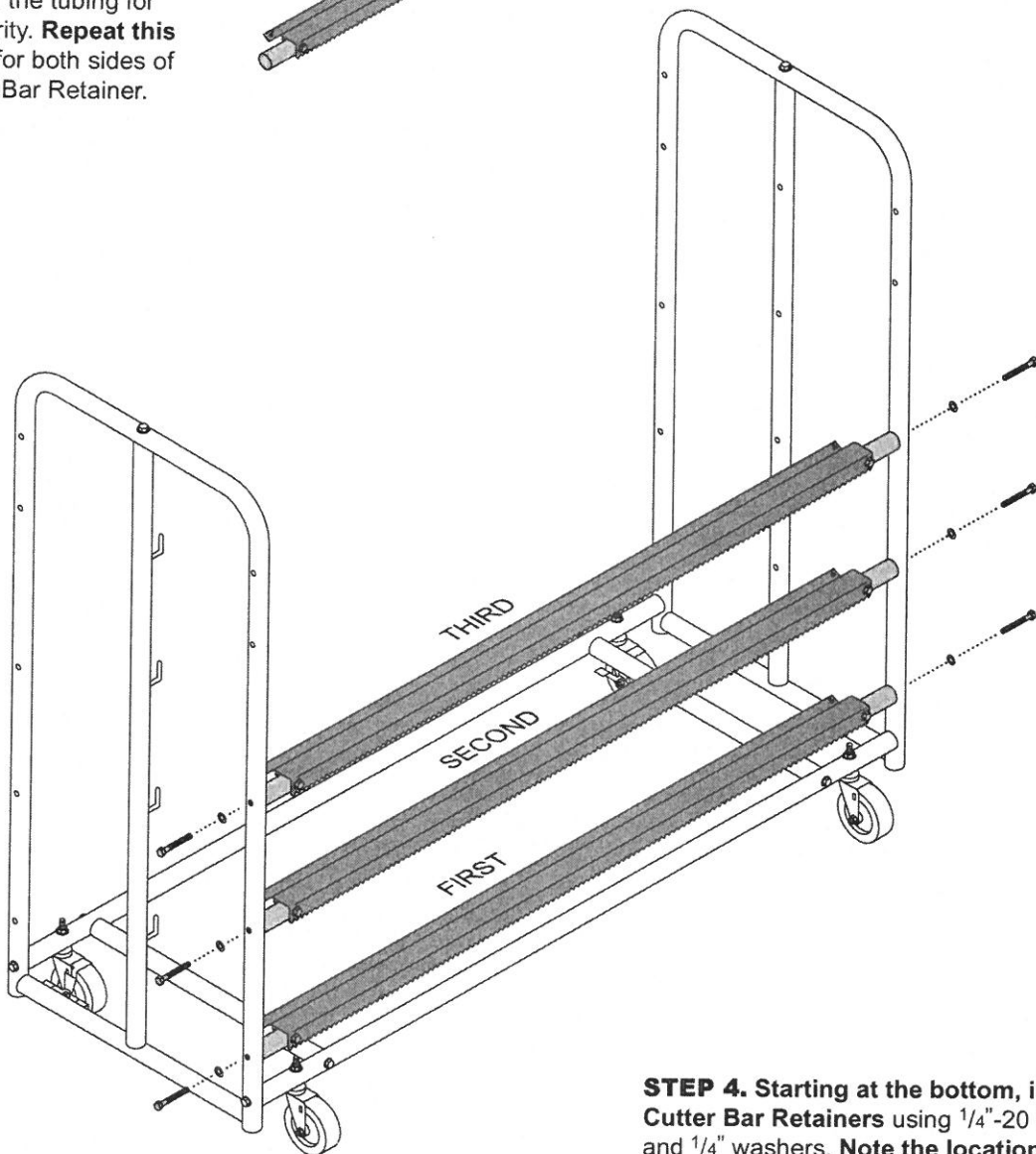
STEP 3. Assemble Cutter Bar Retainers using $\frac{1}{4}$ "-20 X $1\frac{1}{2}$ " bolts and $\frac{1}{4}$ " washers. **NOTE:** All three Cutter Bar Retainers are identical. Simply repeat the procedures illustrated below for each end of the assemblies.



Extension Spring "S"-Hooks attach to the back side of the Cutter Bar. A washer is used on each side of the tubing for added security. **Repeat this procedure** for both sides of each Cutter Bar Retainer.



Assembled view.

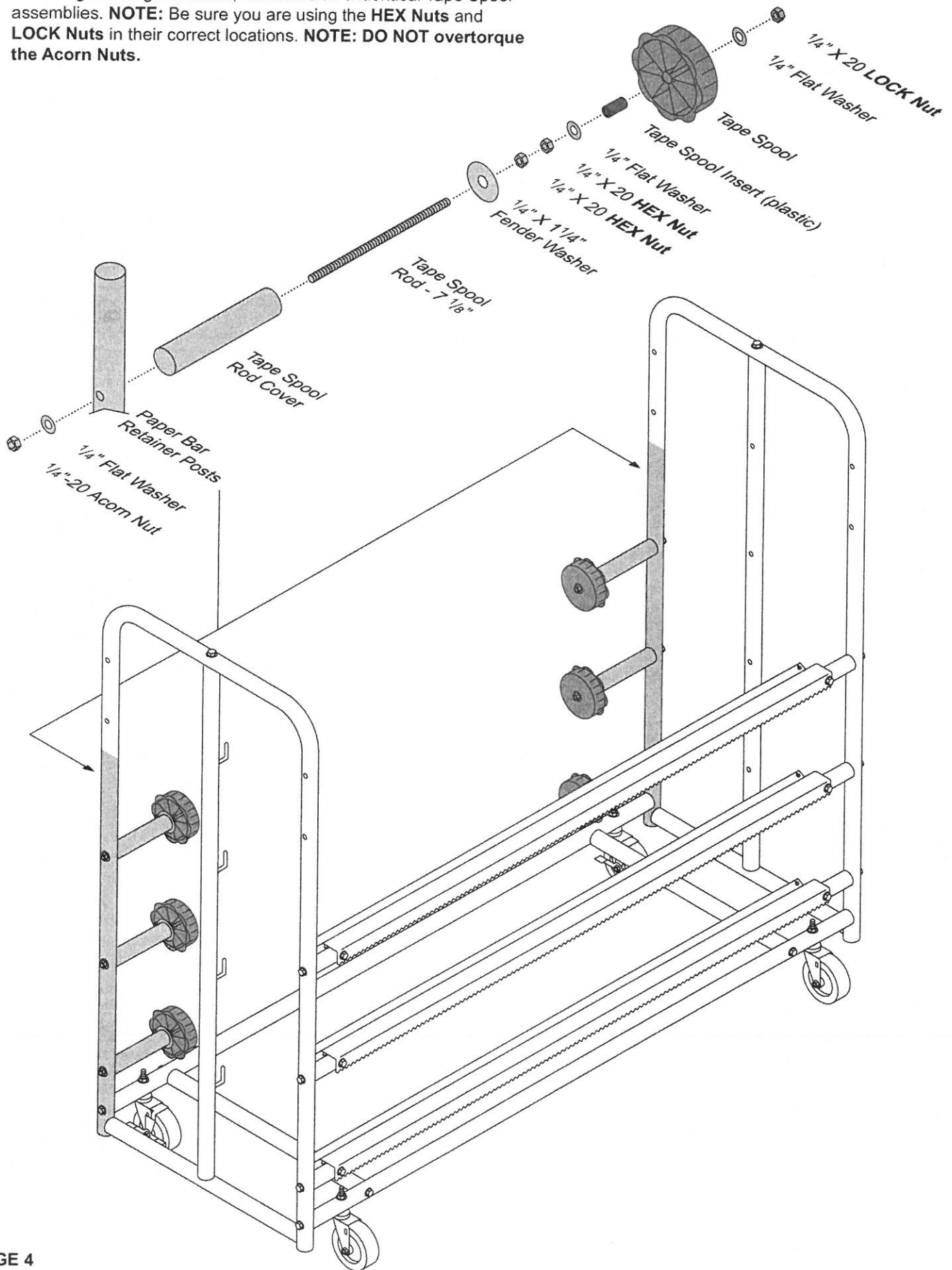


STEP 4. Starting at the bottom, install the Cutter Bar Retainers using $\frac{1}{4}$ "-20 X 2" bolts and $\frac{1}{4}$ " washers. **Note the locations of all punched holes** in all tubing to ensure proper assembly.

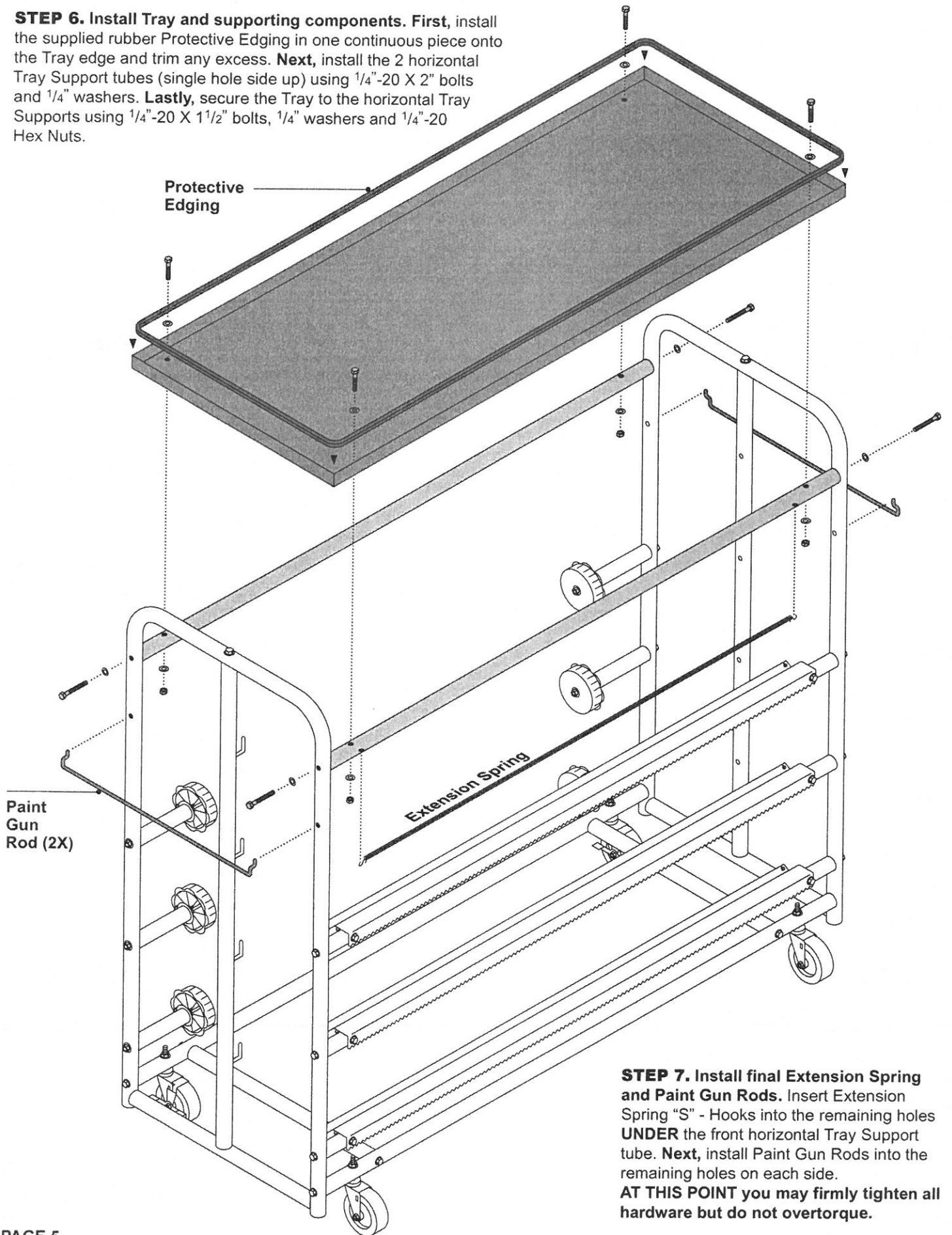
NOTE: Be sure that Cutter Bar teeth are facing forward and pointing down as pictured.

STEP 5. Assemble and install the Tape Spool assemblies.

Following the diagram below, assemble all 6 identical Tape Spool assemblies. **NOTE:** Be sure you are using the **HEX Nuts** and **LOCK Nuts** in their correct locations. **NOTE: DO NOT** overtorque the **Acorn Nuts**.

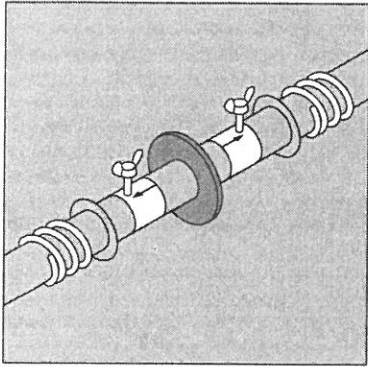


STEP 6. Install Tray and supporting components. First, install the supplied rubber Protective Edging in one continuous piece onto the Tray edge and trim any excess. Next, install the 2 horizontal Tray Support tubes (single hole side up) using 1/4"-20 X 2" bolts and 1/4" washers. Lastly, secure the Tray to the horizontal Tray Supports using 1/4"-20 X 1 1/2" bolts, 1/4" washers and 1/4"-20 Hex Nuts.



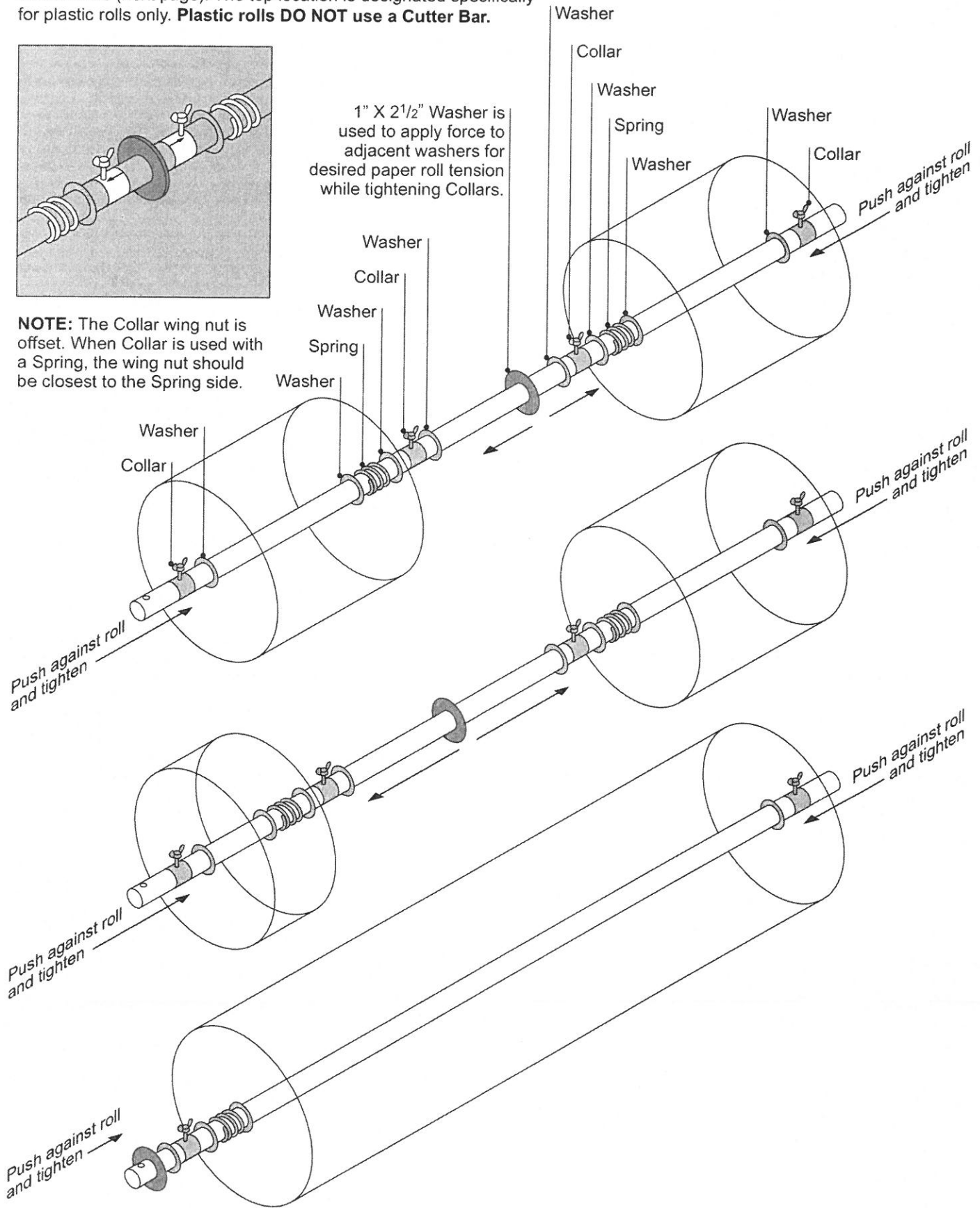
STEP 7. Install final Extension Spring and Paint Gun Rods. Insert Extension Spring "S" - Hooks into the remaining holes **UNDER** the front horizontal Tray Support tube. Next, install Paint Gun Rods into the remaining holes on each side. **AT THIS POINT** you may firmly tighten all hardware but do not overtorque.

STEP 8. Roll assemblies. Below are examples of Paper Bar Roll configurations. **Follow the hardware order closely for maximum performance.** You may place the rolls in any order on the bottom three hooks (next page). The top location is designated specifically for plastic rolls only. **Plastic rolls DO NOT use a Cutter Bar.**

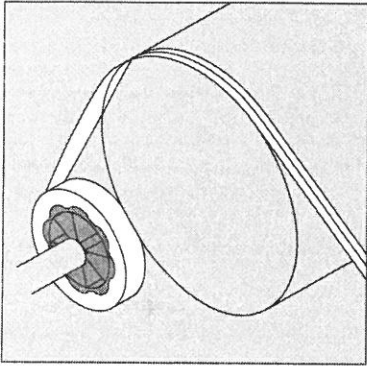


1" X 2 1/2" Washer is used to apply force to adjacent washers for desired paper roll tension while tightening Collars.

NOTE: The Collar wing nut is offset. When Collar is used with a Spring, the wing nut should be closest to the Spring side.

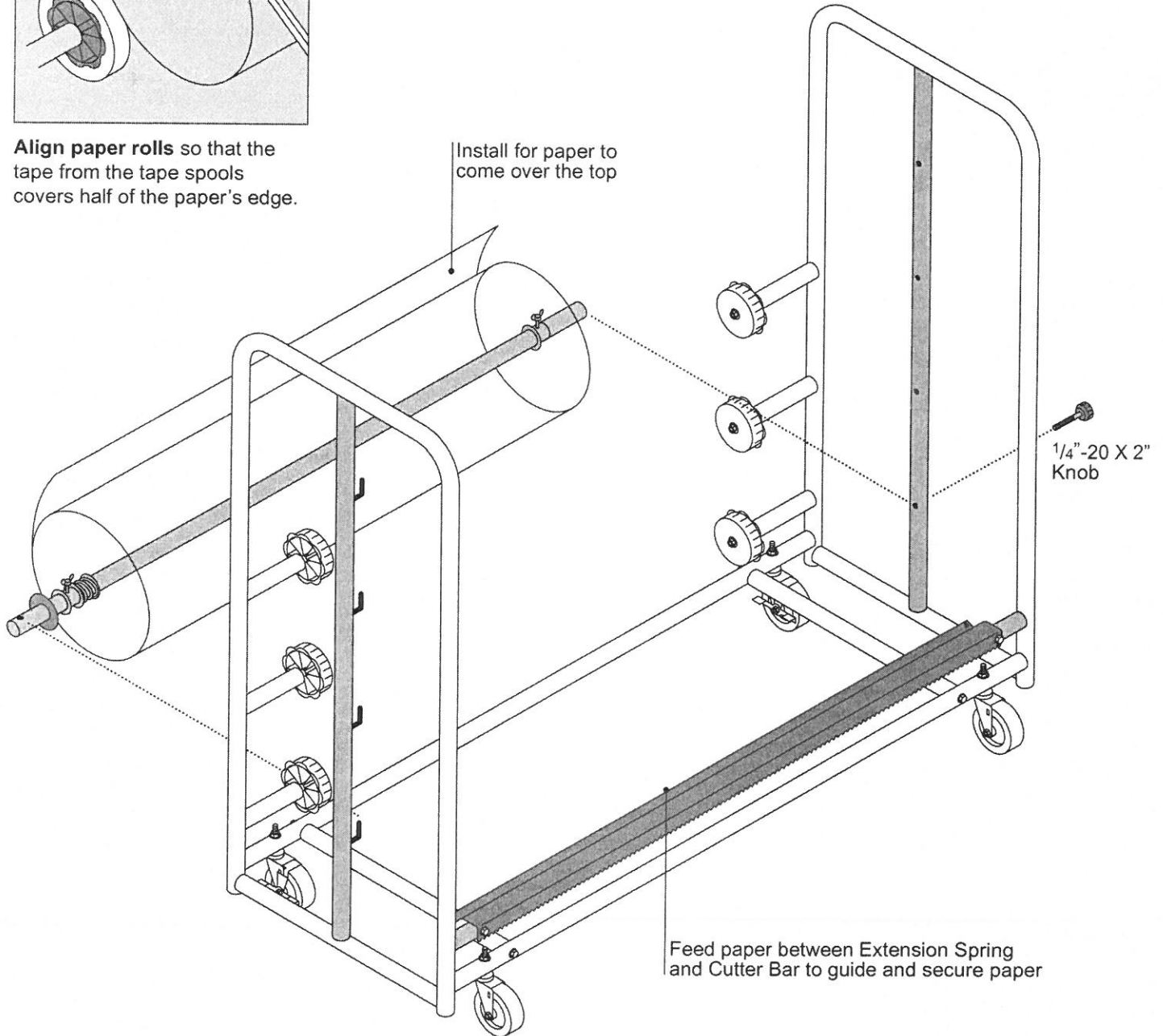


STEP 9. Paper Bar roll installation. Surrounding tubing has been removed from the illustration only to clearly view the installation area. Simply install the Paper Bar rolls from the back side. Be sure that the hole in the Paper Bar tube is aligned to the "hook" side and secure the right side with the 1/4"-20 X 2" Knobs. The paper will then be fed BEHIND the Extension Spring on the Cutter Bar Retainer to secure it in place for cutting.



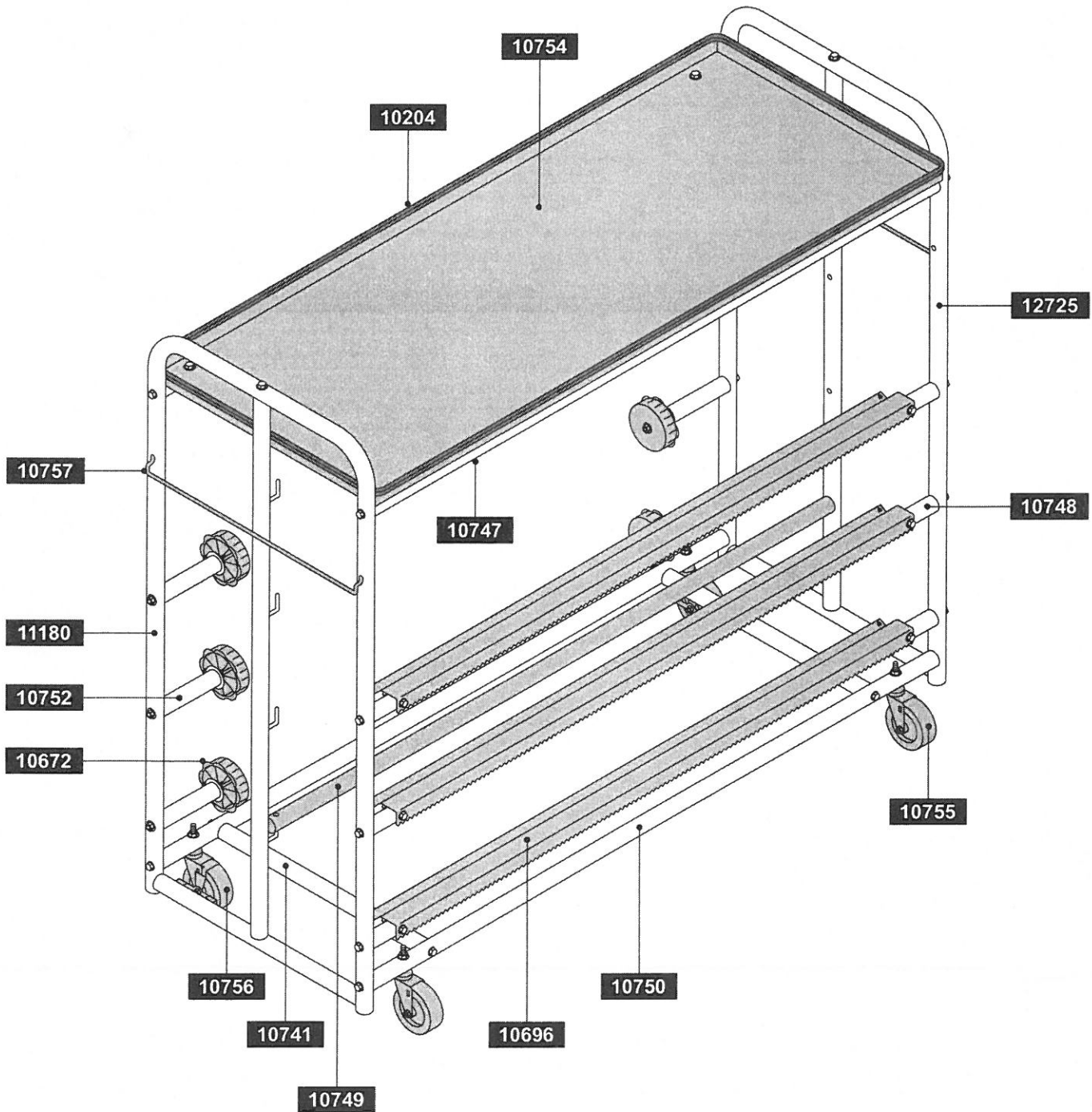
Align paper rolls so that the tape from the tape spools covers half of the paper's edge.

Install for paper to come over the top



PART NUMBER BREAKDOWN for ORDERABLE PARTS

NOTE: EVERY part is orderable.
If you do NOT see an item called out in this illustration (such as specific nuts, bolts, washers etc.) refer to the **parts list** on Page 1 and contact the supplier where you ordered your Prep Station.



PARTS LIST

PART#	DESCRIPTION	QUANTITY
11180	End Support Assembly (LEFT)	1
12725	End Support Assembly (RIGHT)	1
10750	Lower Horizontal Cross Member	2
10741	Horizontal Support	2
10748	Cutter Bar Retainer	3
10749	Paper Roll Bar	4
10747	Tray Support	2
10754	Tray	1
10696	Cutter Bar	3
10689	S-Hook	8
10751	Tape Spool Rod	6
10752	Tape Spool Rod Cover	6
10672	Tape Spool	6
10204	Protective Edging (flex rubber)	11 Feet
10676	1/4"-20 X 1 1/2" Bolt	10
10675	1/4"-20 X 2" Bolt	18
10201	1/4"-20 Hex Nut	22
10694	Extension Spring	4

Prep Station

Part #78015

PART#	DESCRIPTION	QUANTITY
10178	1/4"-20 Lock Nut	6
10202	3/8"-16 Hex Nut	4
10204	1/4"-20 Acorn Nut	6
10218	1/4" Flat Washer	56
12722	1/4" X 1 1/4" Fender Washer	6
12724	1" X 2 1/2" Washer	3
10195	3/8" Flat Washer	8
10678	1/4"-20 X 2" Knob	4
10677	Paper Bar Washer	17
10222	Paper Bar Spring	5
10680	Paper Bar Collar	12
10755	Swivel Caster	2
10756	Swivel Caster with Brake	2
10757	Paint Gun Rod	2

