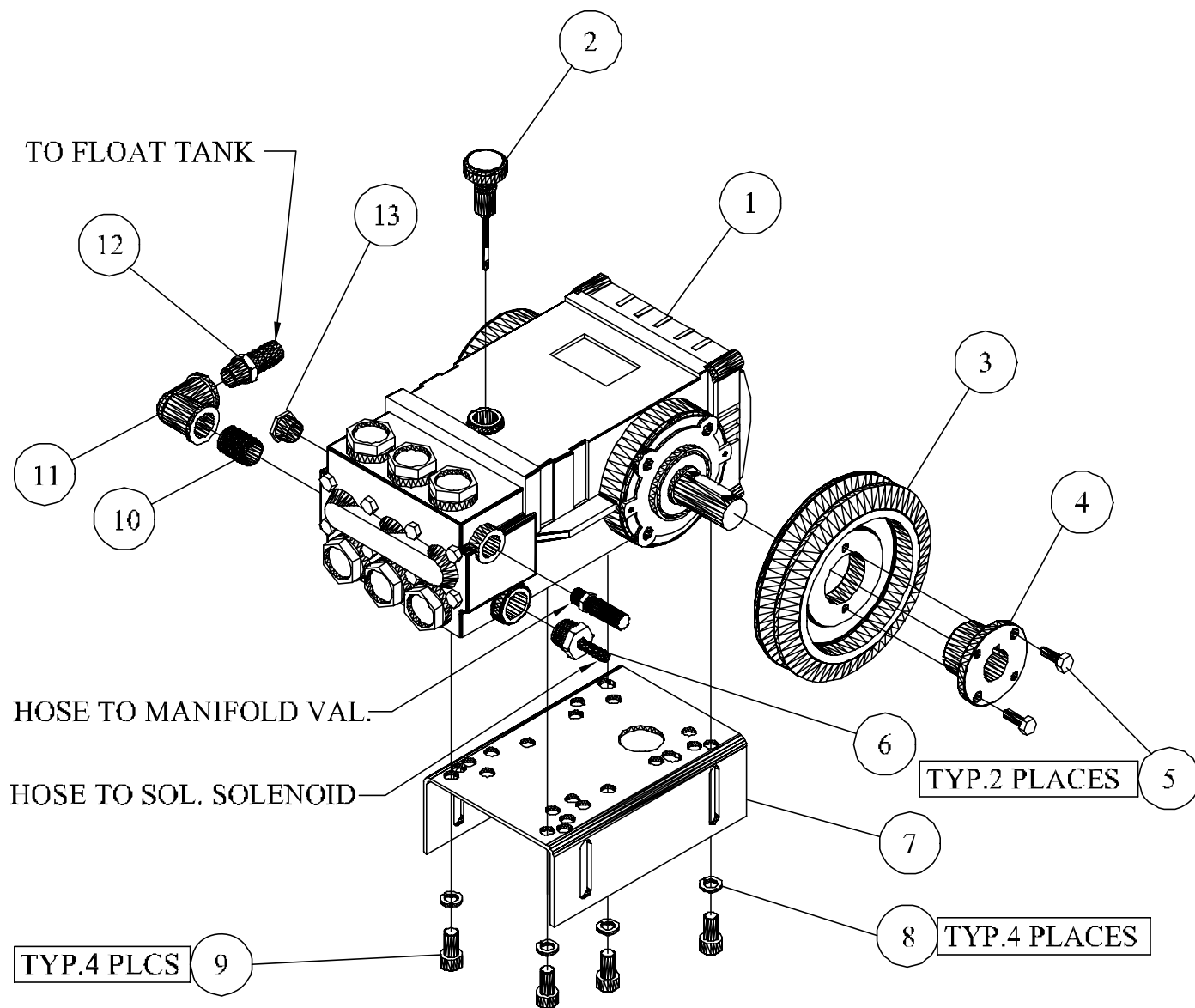


Jenny Products Inc.
 HpW2040, OEP, 230V/60HZ/1PH, N.C, JB

HPW2040, OEP, N/C, JB 115V/60/1PH			
PARTS LIST			
Notes: Figure 20- (common Parts)			
Electrical Dia. Files Jw 105 W/			
3PH Jw 104			
ITEM NO.	DESCRIPTION	QTY.	PART NO.
1	CHASSIS, CHANNEL, MAIN, ST, PAINTED, OIL FIRED	1	JD8000
2	ASSY SEE FIG 1-7	1	JB2000
3	ASSY SEE FIG 1-1	1	JB1000
4	TANK, FLOAT, ASSY, W/FITTINGS, HPW2040, OEP	1	JD8245-P
5	TANK, FUEL, BOLT-ON, STEEL, PAINTED, 13.3 GALLON	1	JD8020
6	CASING, COIL, BOLT-ON, STEEL, PAINTED, LARGE	1	JD8002
7	GROMMET, RUBBER BLACK, 1-1/2 I.D.	2	JP 675
8	DISC, INSULATION, CERAMIC, 14-3/8 OD X 4-1/8 X 3/8	1	JD7238-A
9	COIL, OIL, FIRED, 3/8" PIPE, SCH80	1	JP2610-D
10	POT, FIRE, S.S.	1	JL 133
11	CORD SET, VALVE, SOLENOID, FUEL, SUNTEC	1	JD3306-E
12	TEE, STREET, STEEL, PLATED, 3/8"NPT	1	JD 860-02
13	THERMOSTAT, IMMERSION, SP, ST, NC, 240 DEG F	1	JD7137
14	GUN, TRIGGER, 2200 PSI, 6 GPM, 212F	1	JD7154
15	HOSE, FUEL, ASSY, 1/4" X 42" L, HPW	2	JD8246
16	HOSE, SOLVENT, NEOPRENE, 1/2" I.D.	3	JD 946
17	TUBING,PVC,CLEAR,3/8ODX1/4ID	1.5	JD3087
18	TUBING, COPPER, ASSY, BURNER, F. PUMP-SOL, JB	4	JD1722-U
19	ASSY SEE FIG 1-1	1	JD8304-A
20	ASSY	1	JD8006
21-A	WIRE, SJO, CPE, BLACK, 10/3, 1PH	2.5'	JE 446
21-B	WIRE, SO, CPE, BLACK, 12/4	2.5'	JE 443
22	CONNECTOR, RELIEF, STRAINER, 5/8-3/4, 3/4 NPTM	1	JD1687-17
23	BELT VEE, COG, 4L220	1	JD3792
24	PULLEY, CRS, SG, 2.2" OD X 1/2" I.D.	1	JD7835
25	BELT, VEE, COG, BX39	1	JD3959-12
26	BUSHING, PULLEY, TAPERED, 1-1/8" BORE	1	JD3915-04
27	PULLEY, CI, DG, TH, 2BK47H, 3.7 PDA, 4.1PDB	1	JD3904-05
28	ASSY FIG SEE 1-3	1	JD8203
29	WIRE, IGNITION, BURNER, ASSY, 50000 V	2	JD8247
30	MOLDING, RUBBER, FOAM, ADHESIVE, 1/2WX1/8T	1	JD3782-B
31	ASSY SEE FIG 1-5	1	JE2002
32	ASSY SEE FIG 1-6	1	JD8009
33	HOSE, WASH, PRESSURE, 3000PSI, 250F, 3/8X50FT	1	JD7790-A
34-A	MOTOR, 5HP, 208-230/60/1, 1725RPM, TEFC, F2	1	JB3012
34-B	MOTOR, 5HP, 230-460/60/3,1725RPM, TEFC, F2	1	JB3013
34-C	MOTOR, 5HP, 575/60/3,1725RPM, TEFC, F2	1	JB3014
34-D	MOTOR,5HP,200/60/1,1725RPM,TEFC,F2,	1	JB3012-B
35	CASTER, SWIVEL, W/BRAKE, 5" DIA X 2" FAC E	1	JD3217-01
36	CASTER, SWIVEL, WOUT/BRAKE, 5" DIA X 2" FAC E	1	JD3217-02
37	AXLE, CHASSIS, STEEL, PLATED, 3/4" OD X 24" O/L	1	JD8010
38	WHEEL, PNEUMATIC, 10" O.D. X 3/4 I.D., BALL BEARING	2	JP2643-F
39	COLLAR, SCREW, SET, STEEL, PLATED, 3/4" I.D.	2	JD7777
40	CORD, DROP, GFCI, 240V, 30A, 40FT (1 PH ONLY)	1	JD7179-F
41	CLAMP, HOSE, GEAR, WORM, SS, 9/16 TO 1-1/16 DIA.	2	JD1229-A
42	HOSE, HYD, 3K, PSI, 17" L, 3/8NPTM, 3/8NPTM	1	JD7817
43	HOSE, HYD, 3K PSI, 21"L, 3/8NPTM, 90D-3/8NPTM	1	JD7890
44	PLUG, QUICK COUPLING, BRASS, 3/8"NPTF	1	JD3103-05
45	STRAINER, CHEMICAL, BRASS, 1/4" HOSE BARB	1	JD7140-A

46	RING, CASING, COIL, SS, 7-15/16 I.D.	1	JD2140-B
47	COVER, SS, ASSY, OEP, NEW, JB, MACH	1	JD8248
48	RECEPTICAL, CLIP-ON, STEEL, DACROTIZED	6	JP7733-01
49	DECAL, NUMBER, MODEL, HPW2040, BLUE, LARGE	2	JD8455
50	SCREW, SLF, TAP, PHILLIP, ST, PL, 8-32 X 3/8	10	JD3043
51	SCREW, SLF, DRL, HEX, WASHER, PLTD, #10 X 5/8	7	JD7074-A
52	SCREW, FLANGE, HEX, SERR, ST, PL, 1/4-20 X 1/2	12	JD7904-A
53	SCREW, FLANGE, HEX, SERR, ST, PL, 5/16-18 X 1/2	10	JD7905
54	SCREW, FLANGE, HEX, SERR, ST, PL, 5/16-18 X 3/4	4	JD7905-B
55	SCREW, FLANGE, HEX, SERR, ST, PL, 3/8-16 X 3/4	4	JD7906-A
56	NIPPLE, STEEL, SCH80, 3/8NPT X 2-3/4 LONG	1	JD 968
57	SCREW, CARRIAGE, GR5, ST, PL, 3/8X6	2	JD7798
58	SCREW, SLF, TAP, HEX, WASHER, PLATED, 10-32X 1/2	1	JD6219
59	NUT, LOCK, FLANGE, HEX, SERR, STEEL, PLATED, 5/16-18	4	JD7774-E
60	NUT, LOCK, FLANGE, HEX, SERR, ST, PL, 3/8-16	6	JD7774-F
61	RETAINER, SCREW, PHILLIPS, HEAD, "N"	6	JP7733-02
62	SCREW, PHILLIPS, HEAD, "N", COVER	6	JP7733
63	CLIP, SEPARATOR, WIRE, IGNITION, 7MM, 2-WIRE	4	JD7831
64	CLIP, SEPARATOR, WIRE, IGNITION, 7MM, 3-WIRE	2	JD7832
65	SCREW, CAP, HEX, HD, ST, PL, FLT, 3/8-16 X 2-1/4	2	JD7035
66	FILTER, OIL, FUEL, W/HEAD, 3/8NPT	1	JD2117
	FILTER, OIL, FUEL, CARTRIDGE, SPIN-ON	1	JD2117-01
67	CONNECTOR, MALE, BRASS, 1/4-45 SAE X 3/8 NPT	1	JD1277
68	CONNECTOR, MALE, BRASS, 1/4-45 SAE X 1/4 NPT	1	JD 659
69	CLAMP, SLEEVE, PLASTIC, 3/8 ID	4	JD2759
70	SOCKET, QUICK, COUPLING, BRASS, 3/8" NPTF	1	JD3102-05
71	NOZZLE, SPRAY, PSI, SS, QCK, CON, 0 DEG, O # 60	1	JD7755-04
72	NOZZLE, SPRAY, PSI, SS, QCK, CON, 15DEG, O # 60	1	JD7756-04
73	NOZZLE, SPRAY, PSI, SS, QCK, CON, 25 DEG, O # 60	1	JD7757-04
74	NOZZLE, SPRAY, PSI, SS, QCK, CON, 40 DEG, O # 60	1	JD7758-04
75	SOCKET, QUICK COUPLING, BRASS, 1/4" NPTF	1	JD3102-02
76	ASSY SEE FIG 20-1		
	VALVE, SOLENOID, SOLUTION, 24V, 1/4NPT	1	JD2162-F
77	LANCE, INSULATED, STEEL, ZINC-PLATED, 1/4X36	1	JP7080-O
78	DECAL, NAMEPLATE, OIL, FIRED	1	JD6251-05
79	DECAL, CLEAR, MYLAR	1	JD6251-08
80	CLAMP, HOSE, NYLON, BLACK, .750/.875DI A	2	JD7859-F
81	CAP, FILLER, FUEL, STEEL, PLATED, 1/4 TURN	1	JD3174
82	PLUG, HEAD, SOCKET, HEX, STEEL, PLATED, 3/4" NP	1	JD 877
83	GROMMET, RUBBER, BLACK, 7/16" I.D.	5	JD3385-01
84	GROMMET, RUBBER, BLACK, 5/8" I.D.	1	JD3385
85	DECAL, NOTICE, GROUND, 4MILKTHK, SYRWHT	1	JD2344-01
86	DECAL, DANGER, WARNING, CAUTION, LARGE	1	JD7239
NOT SHOWN	TAG, WARNING, ELECTRIC, CORD	1	JD7075
NOT SHOWN	DECAL, PACKED, GROOMED, TESTED	1	JD6013
NOT SHOWN	DECAL, MADE-IN-THE-USA, JENNY	1	JD6211
NOT SHOWN	TAG, TESTED, FUEL	1	JD7196-01
NOT SHOWN	DECAL, FUEL, OIL, MYLAR, BLUE, 1" X 4"	1	JD2345



ITEM NO.	QTY.	DESCRIPTION	PART NO.
1	1	PUMP, PLUNGER, TRIPLEX, 3000PSI, 4.0GPMGPM, GEN	JD7869
2	1	OIL, DIP, STICK, (RECEIVED W/PUMP)	
3	1	PULLEY, CI, SG, TH, BK57H, 4.7PDA, 5.1PDB	JD3904-46
4	1	BUSHING, PULLEY, TAPERED, 24MM BORE	JD3915
5	2	H.H.B.1/4-20 UNC-3/4 CLASS 5 RECEIVED W/BUSHING	
6	1	BARB, HOSE, MALE, BRASS, 1/4 HS X 1/2 NPTM	JD7826
7	1	PLATE, MOUNTING, PUMP, STEEL, PAINTED	JD8016
8	4	WASHER, LOCK, SPLIT, STEEL, PLATED, 3/8"	JD 613
9	4	METRIC RECEIVED W/ PUMP	
10	1	NIPPLE, BRASS, 1/2NPT X 1-1/2 LONG	JD3094-01
11	1	ELBOW, FEMALE, BRASS, FORGED, 1/2NPT	JD 692-02
12	1	BARB, HOSE, MALE, BRASS, 1/2HS X 1/2NPT	JD7077-A
13	1	PLUG, BRASS, RECEIVED W/PUMP	

FIGURE 1-1 (Pump, Mounting, Fitting, JD8304-A, HPW2040 OEP, Assy)

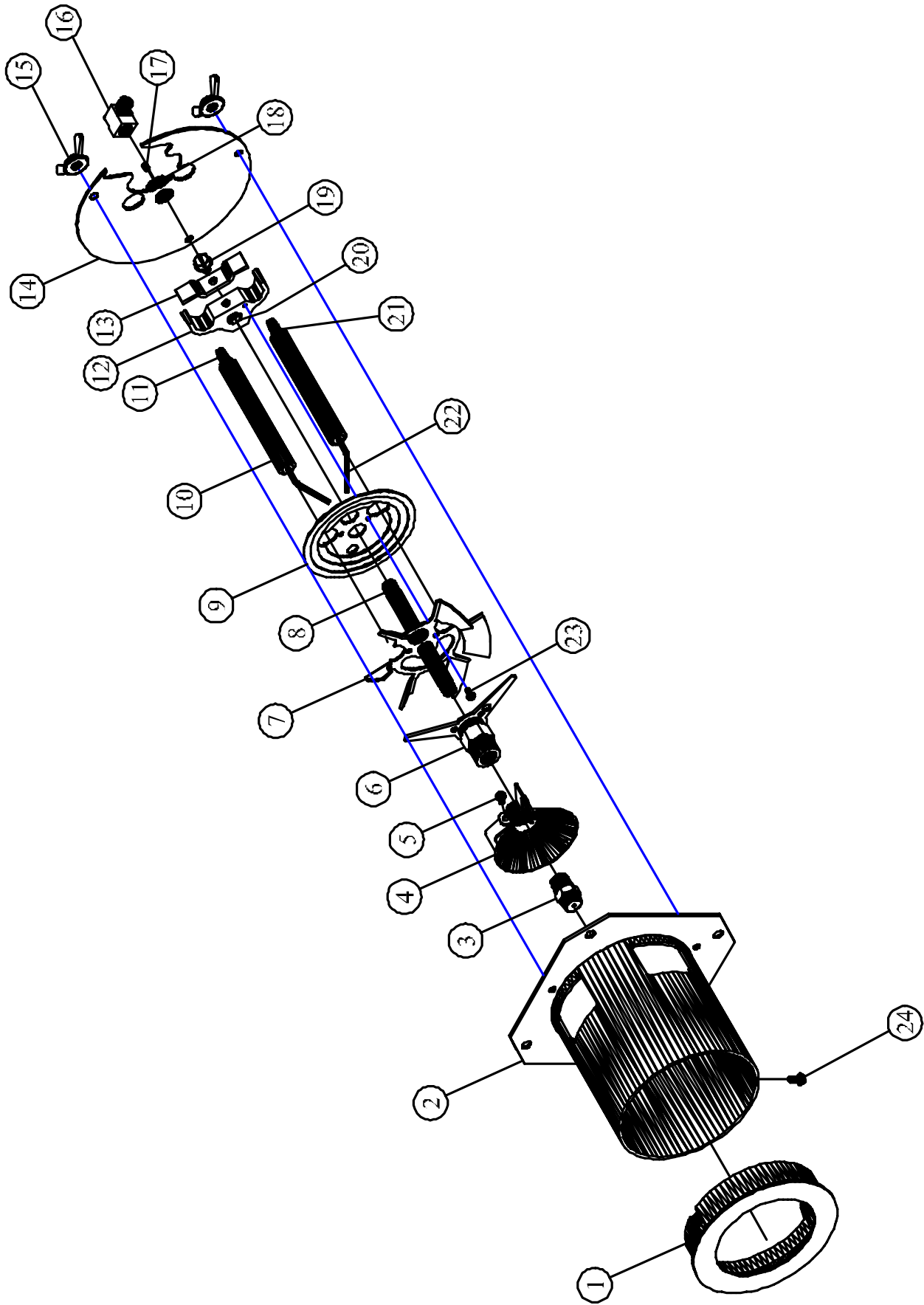
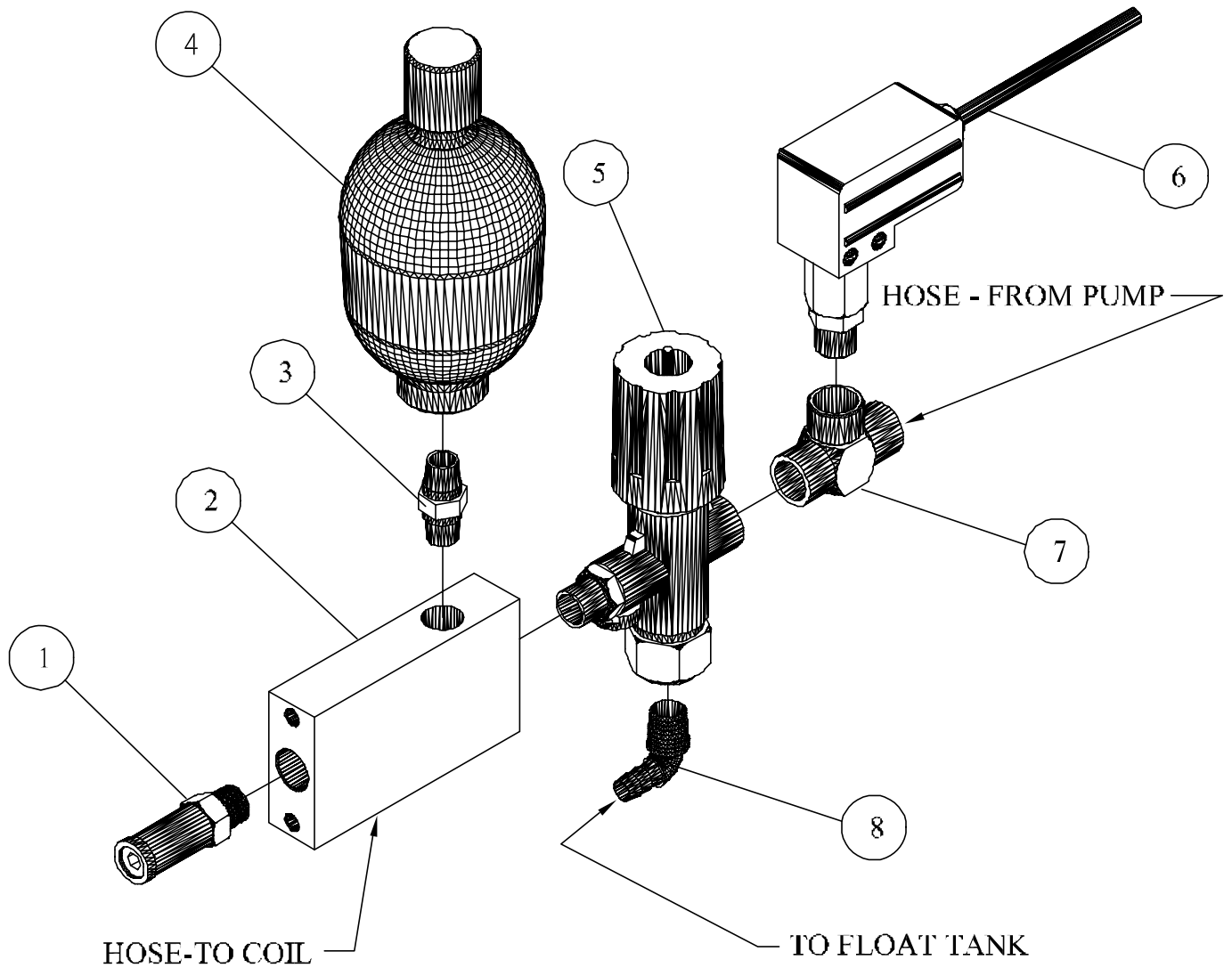


FIGURE 1-2 (Burner, Gun, Oil, Double, Electrode JB1000, Hpw 2040 OEP, Assy)

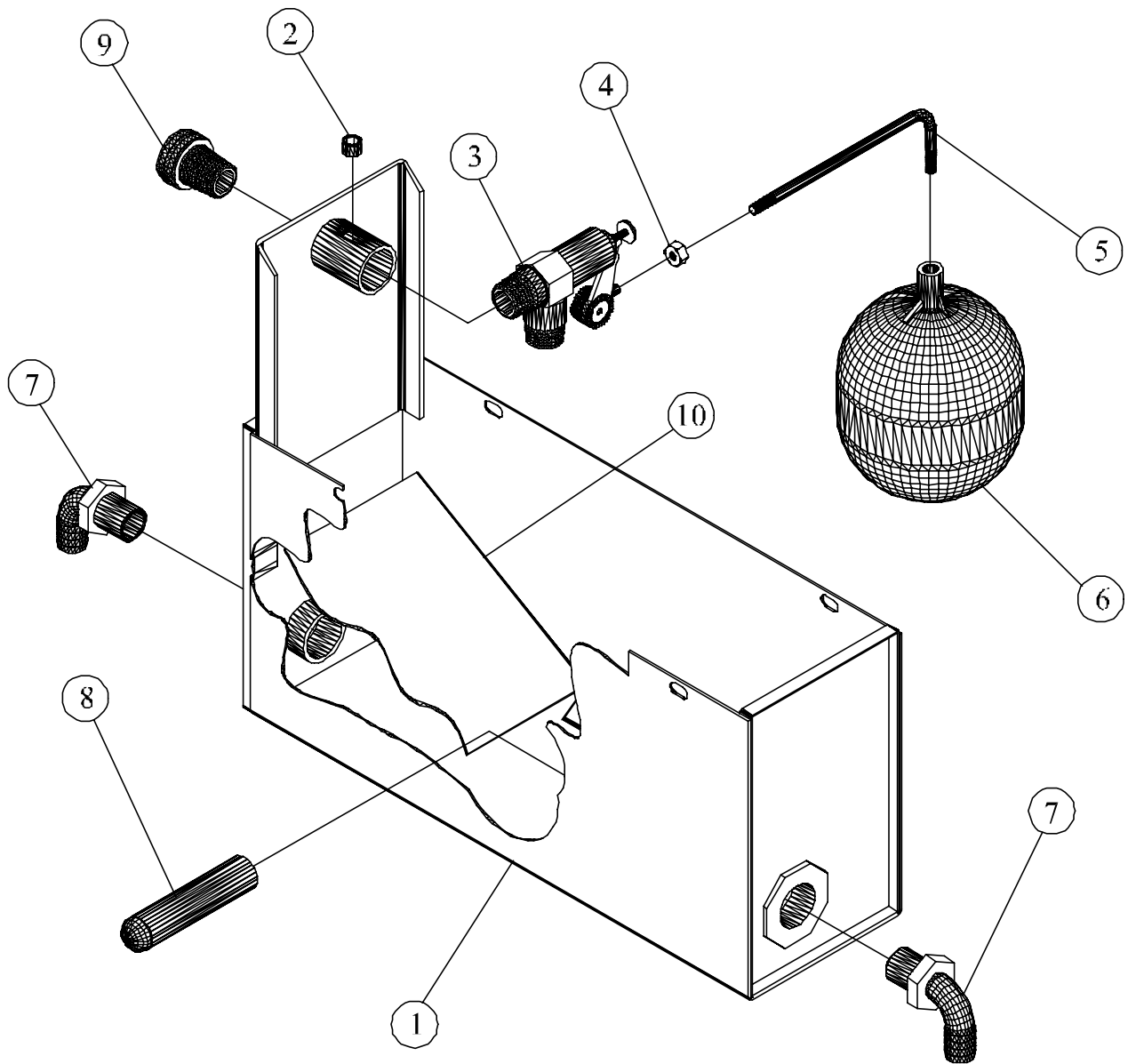
Hpw 2040, OEP
BURNER, GUN, OIL, DOUBLE, ELECTRODE
JB1000, ASSY

ITEM NO.	DESCRIPTION	QTY.	PART NO.
1	CONE, AIR, MI, 4.0 O.D. X 3.0 I.D. X .875 LONG	1	JB1002
2	TUBE, AIR, STEEL, 4.25 O.D. X 4.0 I.D. X 4.50 LONG ASSY	1	JB1001
3	NOZZLE, BURNER, OIL, 1.75 GPH, 80 DEG S.C. (ON MACHINE B.O.M.)	1	JB1510
4	FLAME LOCK, STAINLESS, 10 VANE, 2.5" CONE	1	JB1007
5	SCREW, SELF TAP, HEX, WASH, STEEL, PLATED, 6-32 X 3/8	1	JB1014
6	ADAPTER, NOZZLE, BRASS, W/LEG, SUPPORT	1	JB1006
7	WHIRLER, STEEL, PLATED, 6 VANE, 3-11/16 O.D.	1	JD1010
8	NIPPLE, STEEL, SCH40, 1/8" NPT X 4" LONG	1	JB1004
9	PLATE, STEEL, PLATED, DISC, SOLID, 3-3/8 O.D.	1	JB1009
10	INSULATOR, ELECTRODE, CERAMIC, GLAZED, 4"	2	JB1015-01
11	CONNECTOR, SPARK PLUG, RAJAH, 100734-002	2	JB1015-04
12	SUPPORT, ELECTRODE, ALUMINUM	1	JB1008
13	CLAMP, ELECTRODE, STEEL, 13 GA. X .5 X 2.0	1	JB1011
14	PLATE, BURNER, STEEL, 14 GA X 5.25 DIAMETER	1	JB1003
15	NUT, WING, STEEL, FORGED, PLATED, 10-24	3	JD2186
16	ELBOW, FEMALE, BRASS, 1/4-45 SAE X 1/8 NPTF	1	JB1018
17	SCREW, SET, HEX, CUP POINT, NYLK, 1/4-20X1/4	1	JE 895
18	COLLAR, STEEL, .875 O.D. X .437 I.D. X .437 LONG	1	JB1005
19	SCREW, MACHINE, HEX, WSHR, ST, PLATED, 10-24 X 5/16	1	JB1013
20	SCREW, SET, HEX, CUP POINT, 10-24 X 1/4	1	JB1012
21	NUT, LOCK, FLANGE, HEX, ST, PL, #6-32	2	JB1015-03
22	ELECTRODE, BENT RADIUS, TUNGSTEN	2	JB1015-02
23	SCREW, SELF TAP, HEX WASH, ST, PL, 4-40 X 3/8	1	JB1016
24	SCREW, MACHINE, PHILLIPS, ST, PL, FL, 8-32 X 3/8	1	JB1017



ITEM NO.	QTY.	DESCRIPTION	PART NO.
1	1	VALVE,RELIEF, 2400-3000-PSI, 160F,3/8 NPTM	JD7048-A
2	1	MANIFOLD, FITTINGS, STEEL,PLATED, ALL UNITS	JP 7716
3	2	NIPPLE, HEX, STEEL, PLATED, 3/8NPT X 3/8 NPT	JD3716-01
4	1	ACCUMULATOR, BLADDER, 3000#WP, 1050# CHARGE	JD7646-I
5	1	VALVE, UNLOAD, PSI ACT, 2000 PSI, 6 GPM	JD3324-F
6	1	SWITCH, PSI, SP, ST, NO, 15A, 230V, 3/8NPTM, GES	JD3977
7	1	TEE, FEMALE, STEEL, PLATED, 3/8 NPT	JD3971
8	1	BARB, HOSE, ELBOW, MALE, BRASS, 1/2 HS X 3/8 NPT	JD7991

FIGURE 1-3 (Manifold, Valve, Fitting, JD8203, Hpw 2040 OEP Ass'y)



ITEM NO.	QTY.	DESCRIPTION	PART NO.
1	1	TANK, FLOAT, BOLT-ON-ASSY,JB	JD8015
2	1	PLUG, SOCKET, HEX, BRASS, 1/8 NPT	JD7243
3	1	VALVE, FLOAT, BRASS, 60PSI, 1/2"NPTM	JD2988-B
4	1	NUT, HEX, STEEL, PLATED, 1/4-20	JD 791
5	1	ROD, FLOAT, BENT, BRASS, 1/4 X 5-5/8 LG X 1/4-20	JD1416-02
6	1	BALL, FLOAT, PLASTIC, BLACK	JD1416-01
7	2	BARB, HOSE, ELBOW, MALE, BRASS, 1/2HS X 3/4NPT	JD7058
8	1	STRAINER, WATER, SS, 30MESH, 47/64 O.D. X 3-1/8 LG	JD3843-B
9	1	CONNECTOR,BR,3/4GARDEN HOSEX1/2NPTM,SWIV	JD7142
10	1	BAFFLE,TANK,FLOAT,REMOVABLE	JP3385-08

FIGURE 1-4 (Tank, Float, Fitting, JD8245-P, Hpw 2040 OEP, Ass'y)

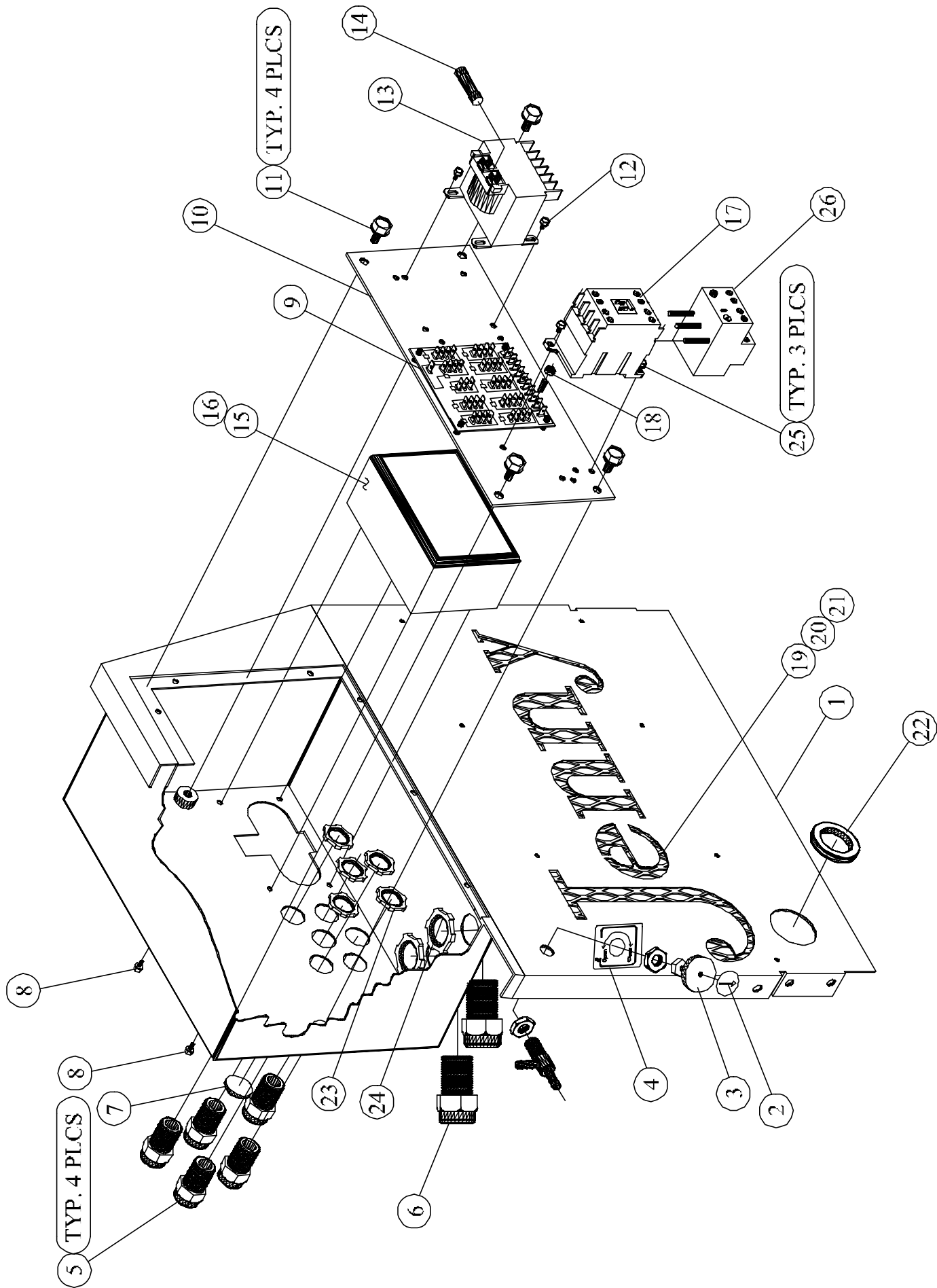
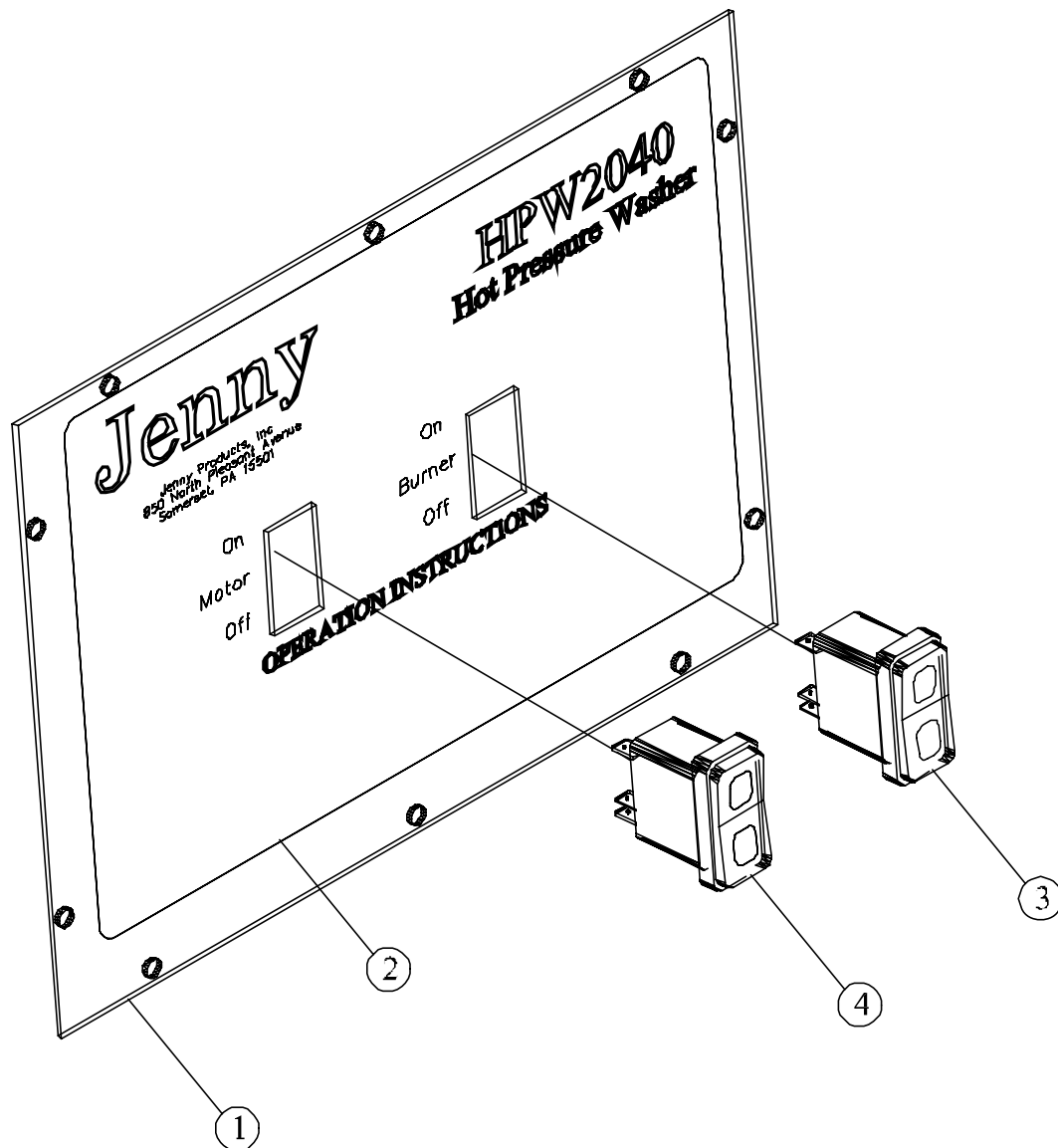


FIGURE 1-5 (Box, Junction, Panel, Front, 230-575/ 3PH, 30A, JE2002, HPW2040 OEP, Assy)

ITEM NO.	DESCRIPTION	QTY.	PART NO.
1	PANEL,CONTROL,BOX,JUNCTION,STEEL,PAINTED	1	JD8007
2	DECAL,INDICATOR,HANDLE,VALVE,SOLUTION	1	JD7143
3	VALVE,NEEDLE,SOLUTION,BRASS,1/4 IDHS-BARB	1	JD6248-A
4	DECAL,SOLUTION,METERING,VALVE	1	JD7821
5	CONNECTOR,RELIEF,STRAINER,1/4-3/8,1/2 NPTM	4	JD1687-06
6	CONNECTOR,RELIEF,STRAINER,5/8-3/4,3/4 NPTM	2	JD1687-17
7	PLUG,HOLE,PLASTIC,BLACK,7/8"	1	JD3856
8	SCREW,FLANGE,HEX,SERR,ST,PL,6-32 X 3/8	4	JD7900-A
9	BOARD,CIRCUIT,PRINTED,ALL,MACHINE	1	JB5000
10	PLATE,MOUNTING,PANEL,CONTROL,BOX,INCT,ST	1	JD8008
11	SCREW,FLANGE,HEX,SERR,ST,PL,1/4-20 X 3/8	4	JD7904
12	SCREW,FLANGE,HEX,SERR,ST,PL,8-32 X 3/8	4	JD7901-B
13-A	TRANSFORMER,CONTROL,OPN,100VA,120-460 VP,24V	1	JD2868
13-B	TRNSFRMR,CTRL,OPN,100VA,600VP,24VS	1	JD3987-13
14	FUSE,ELEMENT,DUAL,DELAY,TIME,250V,6AMP	1	JD3107-11
15	TRANSFORMER,IGNITION,24V,PRIM,18000V,SEC	1	JB1502
16	PLATE,NAME,ALUM,TRANSFORMER,IGNITION,24V	1	JB1502-01
17-A	CONTACTOR,DP,OP,3P,30A,24V,W/ AUX CONTACT (BEFORE 5-1-01)	1	JD7651-B
17-B	STARTER,DP,OP,3P,50A,24V,CA7-SERIES (AFTER 5-1-01)	1	JD7651-V
18	NUT,HEX,STEEL,PLATED,10-32	1	JD 781
19	SCREEN,COVER,MACHINE,STEEL,PAINTED	1	JP7720-01
20	WASHER,FLAT,SS,7/8 O.D X 5/32 I.D. X 20 GA	8	JP7720-03
21	RIVET,AL,160-.164 HOLE,.063-.125 GRP,5/32	8	JP7720-02
22	GROMMET,RUBBER,BLACK,1-1/2 I.D.	1	JP 675
23	NUT,LOCK,CONDUIT,STEEL,PLATED,1/2"	5	JP 809
24	NUT,LOCK,CONDUIT,STEEL,PLATED,3/4"	2	JD7728
25	SCREW,FLANGE,HEX,SERR,ST,PL,8-32x5/8	2	JD7901-D
26-A	RELAY,OVERLOAD,THERMAL,PLUG-IN,24-32AMPS (BEFORE 5-1-01)	1	JD7651-15
26-B	RELAY,OVERLOAD,THERMAL,PLUG-IN,13-19AMPS 230/3 (BEFORE 5-1-01)	1	JD7651-13
26-C	RELAY,OVERLOAD,THERMAL,PLUG-IN,6-8.5AMPS 460/3 (BEFORE 5-1-01)	1	JD7651-10
26-D	RELAY,OVERLOAD,THERMAL,PLUG-IN,4.5-6.5A 575/3 (BEFORE 5-1-01)	1	JD7651-09
26-E	RELAY,OVERLOAD,THERMAL,PLUG-IN,18-30A (AFTER 5-1-01)	1	JD7651-36
26-F	RELAY,OVERLOAD,THERMAL,PLUG-IN,16-24A (AFTER 5-1-01)	1	JD7651-35
26-G	RELAY,OVERLOAD,THERMAL,PLUG-IN,6-10A (AFTER 5-1-01)	1	JD7651-33
26-H	RELAY,OVERLOAD,THERMAL,PLUG-IN,4-6A (AFTER 5-1-01)	1	JD7651-32



ITEM NO.	QTY.	DESCRIPTION	PART NO.
1	1	PLATE, COVER, PANEL, CONTROL, BOX, JUNC, HPW	JD8009
2	1	DECAL, PANEL, INSTRUCTION, HPW 2040, OEP & GES	JD8406
3	1	SWITCH, ROCKER, SP, ST, 10A, 24V, LED, LIGHT	JE1004
4	1	SWITCH, ROCKER, DP, DT, OFF-ON-MOM, 10A, 24V	JE1006

FIGURE 1-6 (Panel, Instruction, Hpw2040, OEP, Ass'y)

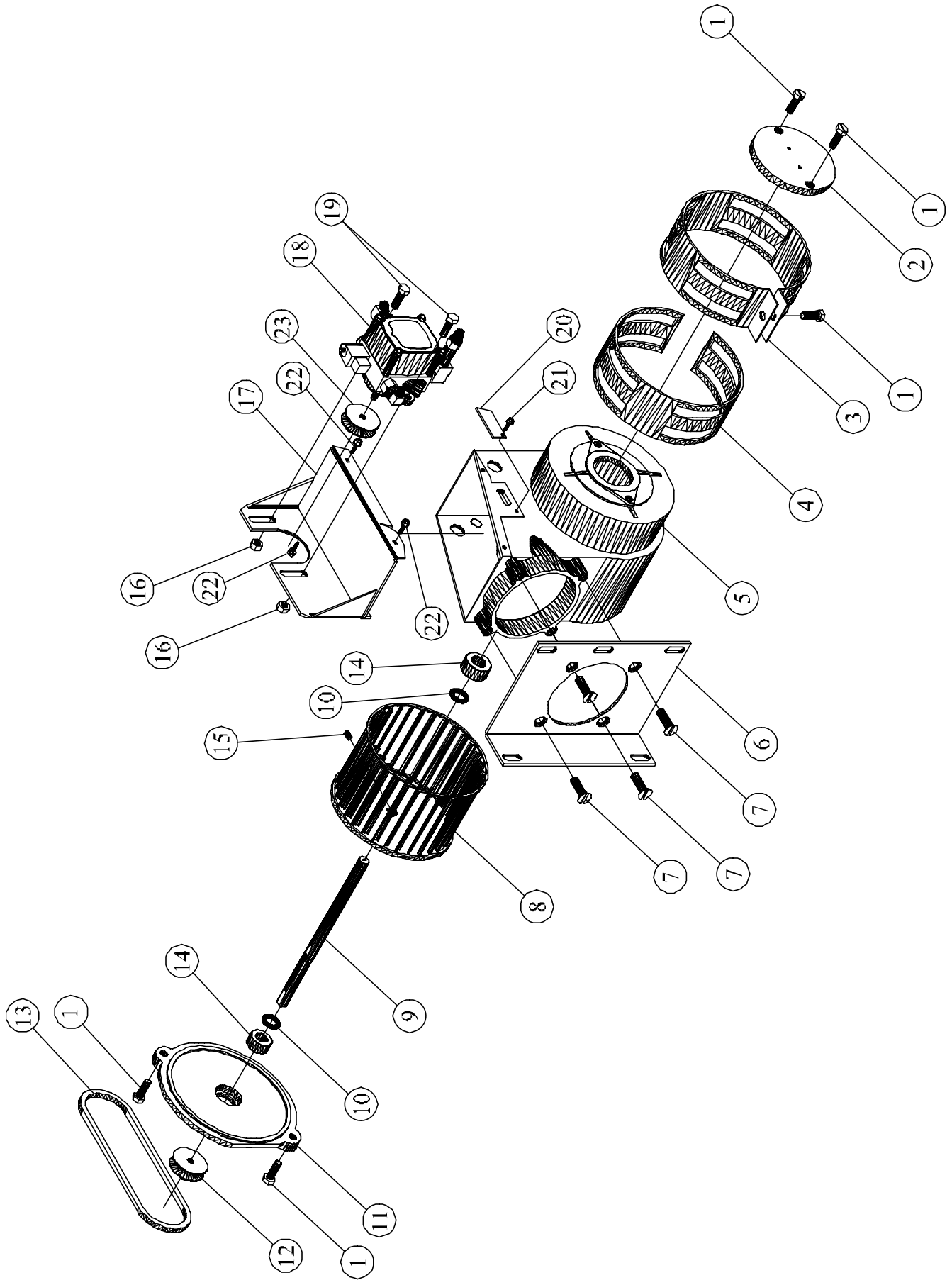
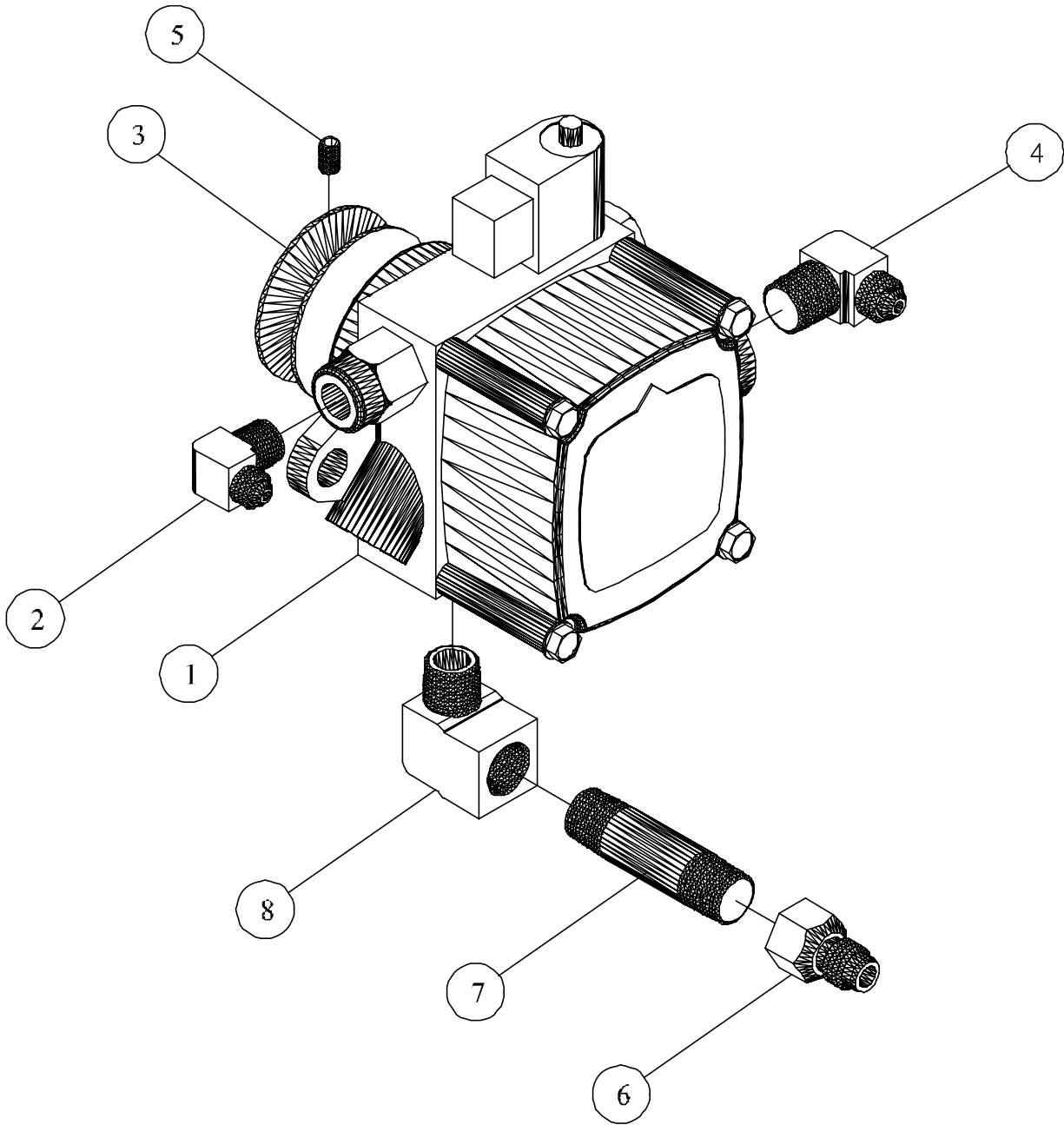


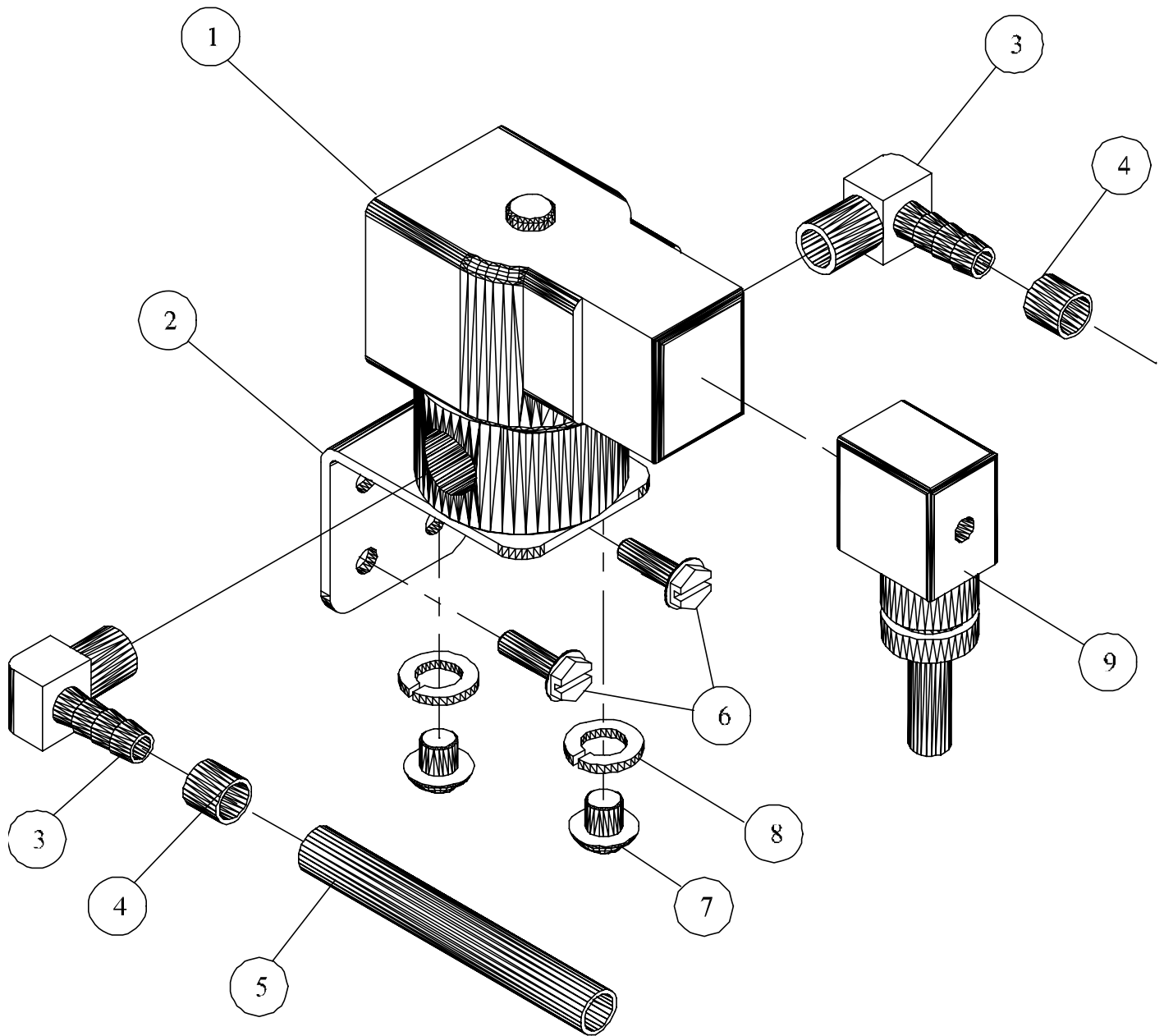
FIGURE 1-7 (HPW2040, Blower, Air, JB2000, 6" OD X 4" W X 1/2" Shaft, Assy)

ITEM NO.	DESCRIPTION	QTY.	PART NO.
1	SCREW, MACHINE, HEX, SERR, ST, PL, 5/16-18 X 7/8	5	JB2012
2	RETAINER, BEARING, ALUMINUM, BAND, AIR	1	JB2006
3	BAND, AIR, OUTER, STEEL, PLATED, 8 HOLE	1	JB2003
4	BAND, AIR, INNER, STEEL, PLATED, 7 HOLE	1	JB2002
5	HOUSING, BLOWER, ALUMINUM, 6.25OD X 4.0 WHEEL	1	JB2001
6	PLATE, MOUNTING, ST, PLATED, ADAPTER, CHASSIS	1	JB2010
7	SCREW, MACHINE, UNDERCUT, SLT, FLT, 5/16-18 X 5/8	4	JB2013
8	WHEEL, BLOWER, ST, 6.25 OD X 4.0W 1/2" SHAFT	1	JB2007
9	SHAFT, BLOWER, STEEL, 0.50 DIA. X 9.562 LONG	1	JB2008
10	RING, RETAINER, EXTERIOR, STEEL, 1/2	2	JB2015
11	FLANGE, ALUMINUM, RETAINER, BEARING, N - FLANGE	1	JB2009
12	PULLEY, CRS, SG, 1-3/4 OD X 1/2 ID (3L BELT)	1	JD3233-04
13	BELT, VEE, FHP, 3L230	1	JD3509
14	BEARING, BALL, 1.375OD X .500 ID X .437 WIDE (LOCK-TIGHT ON)	2	JB2011
15	SCREW, SET, HEX-SKT, KNURL-PNT, 5/16-24 X 3/8L	1	JB2017
16	NUT, LOCK, FLANGE, HEX, SERR, ST, PL, 5/16-18	2	JD7774-E
17	PLATE, MOUNTING, PUMP, FUEL, STEEL, PAINTED	1	JB2005
18	ASSY SEE FIG 1-8 PUMP, FUEL, ASSY, JENNY-BURNER	1	JP7738
19	SCREW, FLANGE, HEX, SERR, ST, PL, 5/16-18 X 3/4	2	JD7905-B
20	PLATE, COVER, SLOT, STEEL, PLATED, 18GA X 1 X 2.5	1	JB2004
21	SCREW, SELF TAP, HEX, SERRATED, FLT, 10-24 X 3/8	1	JB2014
22	SCREW, SLF DRL, HEX, WASHER, PLATED #10 X 5/8	3	JD7074-A
23	PULLEY, CRS, SG, 1-3/4"ODX5/16"ID (3L BELT)	1	JD3233-03



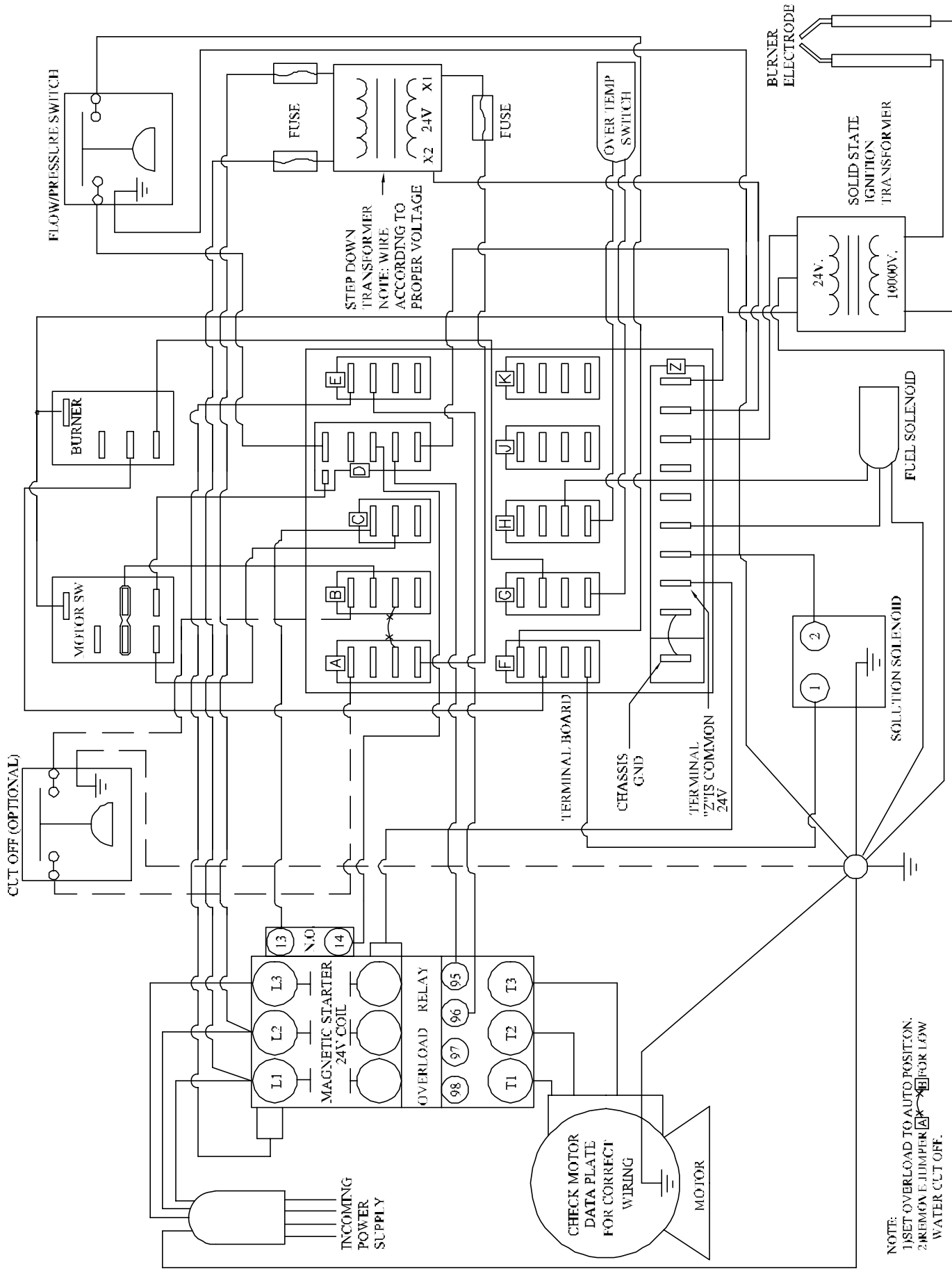
ITEM NO.	QTY.	DESCRIPTION	PART NO.
1	1	PUMP, OIL, FUEL, SNGLSTGE, 3GPM, 3450RPM, 24V	JD3306-F
2	1	ELBOW, MALE, BRASS, 1/4-45 SAE X 1/8 NPT	JD 651
3	1	PULLEY, CRS, SG, 1-3/4" OD X 5/16" ID (3L BELT)	JD3233-03
4	1	ELBOW, MALE, BRASS, 1/4-45 SAE X 1/4 NPT	JD 652
5	1	SCREW, SET, HEX, SOC, CUP, PNT, NYLK, 8-32X3/16	JD3241
6	1	CONNECTOR, FEMALE, BRASS, 1/4"-45° SAE X 1/4NPT	JD2391
7	1	NIPPLE, BRASS, 1/4 NPT X 2 LONG	JD 745-01
8	1	ELBOW, STREET, BRASS, 1/4 NPT	JD 670

FIGURE 1-8 (PUMP, FUEL, JENNY-BURNER, JP7738, HPW 2040 OEP, ASSY)



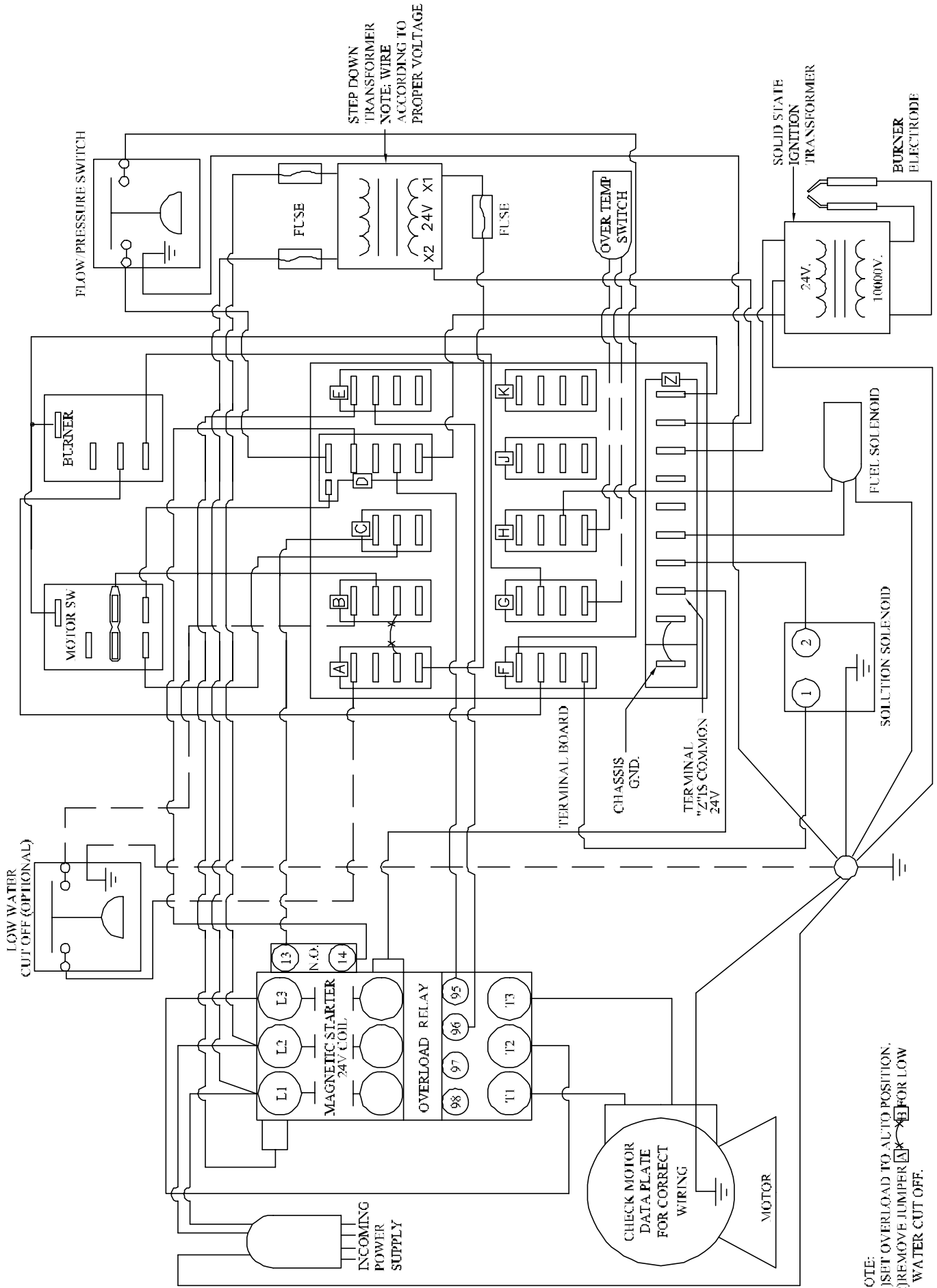
ITEM NO.	QTY.	DESCRIPTION	PART NO.
1	1	VALVE, SOLENOID, SOLUTION, 12V, 1/4NPT	JD2162-F
2	1	BRACKET, MOUNTING, SOLUTION, SOLENOID	JD7760
3	2	BARB, HOSE, ELBOW, MALE, BRASS, 1/4HS X 1/4 NPT	JD7078
4	2	CLAMP, SLEEVE, PLASTIC, 3/8 I.D.	JD2759
5	1	TUBING, PVC, CLEAR, 3/8 O.D. X 1/4 I.D.	JD3087
6	2	SCREW, SLF, DRL, HEX WASHER, PLTD, #10 X 5/8	JD7074-A
7	2	SCREW, MACHINE, PHILLIPS, ST, PL, 10-32 X 3/8	JD3234
8	2	WASHER, LOCK, SPLIT, STEEL, PLATED, #10	JD624
9	1	CONNECTOR, SOLENOID, RELIEF, STRAIN, DIN	JD7703

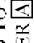
FIGURE 20-1 (VALVE, SOLUTION, SOLENOID, JD2162-F, ASSY)



NOTE:
 1) SET OVERLOAD TO AUTO POSITION.
 2) REMOVE JUMPER FOR LOW WATER CUT OFF.

(Electrical Schematic Diagram) Oil Fired, Hot Pressure Washer/ Steam Cleaner W/ Mom-On, 3 PH. File Name: JW 104



NOTE:
 1) SET OVERLOAD TO AUTO POSITION.
 2) REMOVE JUMPER  FOR LOW WATER CUT OFF.