

7965

7965 SERIES



SAE Class I LED

The 7965 Series beacon combines all the major benefits of the latest LED technology with a traditional, strobe style housing at a price point comparable to a strobe. Available in either 5" or 7" height profiles the 7965 is suitable for a wide range of applications where a high-intensity SAE Class I light is required. The 7965 features 12VDC operation and a Pulse8 flash pattern to produce an attention getting warning signal. 2 year warranty.

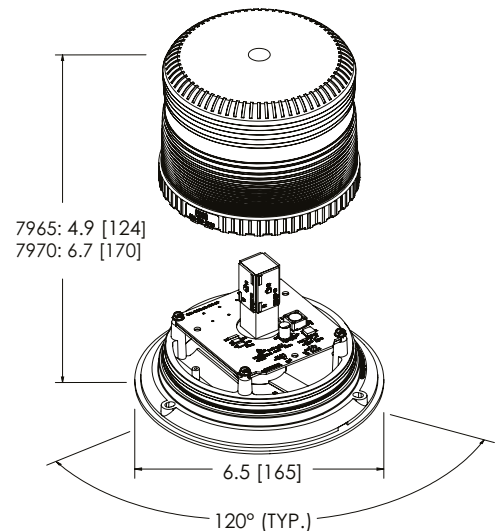
Models

PART NO.	VOLTAGE	AMPS	FPM	PROFILE	MOUNT
7965X				5"	3 Bolt Flange/1" Pipe
7965X-VM	12	2.4	75	5"	Vacuum Magnet
7970X				7"	3 Bolt Flange/1" Pipe
7970X-VM				7"	Vacuum Magnet

Replace X in part number with desired color: A=amber, B=blue, C=clear, G=green, R=red

Features and Benefits

- Pulse8 (8 flash per cycle) flash pattern
- Aluminum base, polycarbonate lens
- Switched cigarette plug adapter (vacuum-magnet models)
- SAE J845 Class I
- Temperature Range: -22°F to +122°F (-30°C to +50°C)
- Warranty: 2 years



Parts & Accessories

- Lenses: 7965 - R6050LX
7970 - R6070LX

Replace X in part number with desired color: A=amber, B=blue, C=clear, G=green, R=red



833 West Diamond Street
Boise, Idaho 83705

T: 800-635-5900 or 208-395-8000
F: 800-688-3226 or 208-395-8190
www.eccolink.com

