

7460

7460 SERIES

PROFILE™



BEACONS

LIGHTBARS/
MINIBARS

SAFETY
DIRECTOR™

LED DIRECTIONAL
LIGHTS

LIGHTING
SYSTEMS

BACK-UP
ALARMS

CAMERA
SYSTEMS

Profile™ SAE Class I LED Beacon

The compact and unobtrusive 7460 Series Profile™ LED beacon incorporates a simple, yet highly effective and robust, design featuring an overhead heatsink that also allows removal of the flange when the unit is pipe mounted. The 7460 features a unique Pulse8 flash pattern that human vision is highly sensitive to in the periphery, increasing potential visibility where vehicle hazards are not in direct line of sight. A 5-year warranty and the usual maintenance free, low amp draw benefits of LED technology make this an ideal light for any application.

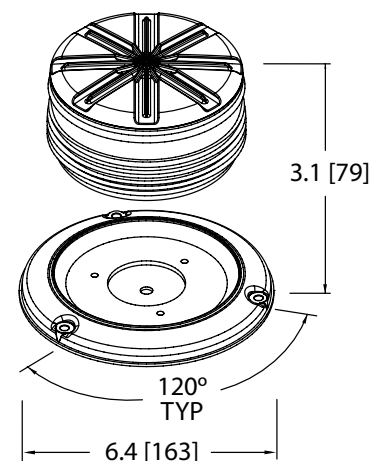
Models

PART NO.	VOLTAGE	LENS/ILLUMINATION	AMPS	FPM	MOUNT
7460X	12-36	Specify Color/Matches Lens Color	1.0	80	3 Bolt Flange/1" Pipe
7460CX		Clear/Specify Color			3 Bolt Flange/1" Pipe
7460X-VM		Specify Color/Matches Lens Color			Vacuum-Magnet
7460CX-VM		Clear/Specify Color			Vacuum-Magnet

Replace X in part number with desired color: A=amber, B=blue, C=clear, G=green, R=red

Features and Benefits

- Eight 3-watt LEDs and a parabolic reflector produce attention getting SAE Class I light output
- Human peripheral vision is highly sensitive to unique Pulse8 flash pattern that features 8 flashes per cycle (80 FPM)
- Overhead heatsink design allows for unobtrusive pipe mounting with flange removed
- Meets SAE J845 Class I (A, CC, CR & R)
- CE, e
- IP Rating 67
- Temperature Range: -22°F to +122°F (-30°C to +50°C)
- Warranty: 5 years



Detachable flange design allows easy and unobtrusive pole mounting

ECCO®

833 West Diamond Street
Boise, Idaho 83705

T: 800-635-5900 or 208-395-8000
F: 800-688-3226 or 208-395-8190
www.eccolink.com

A DIVISION OF
 ECCO GROUP