



A Division of **TUXEDO** Distributors, LLC.

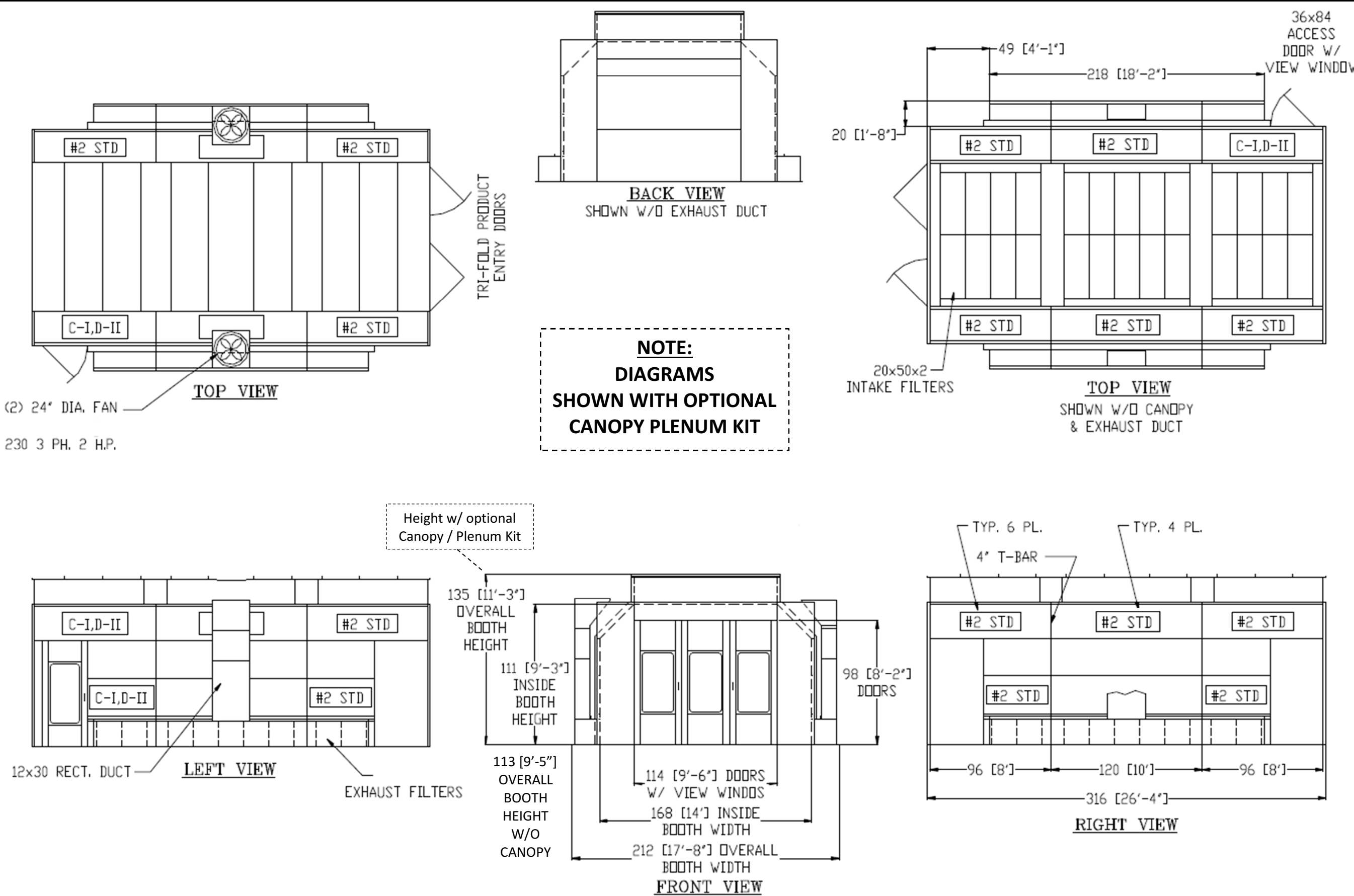
## *Paint Spray Booths*

**Model # PSBSDD26ASY-AK**

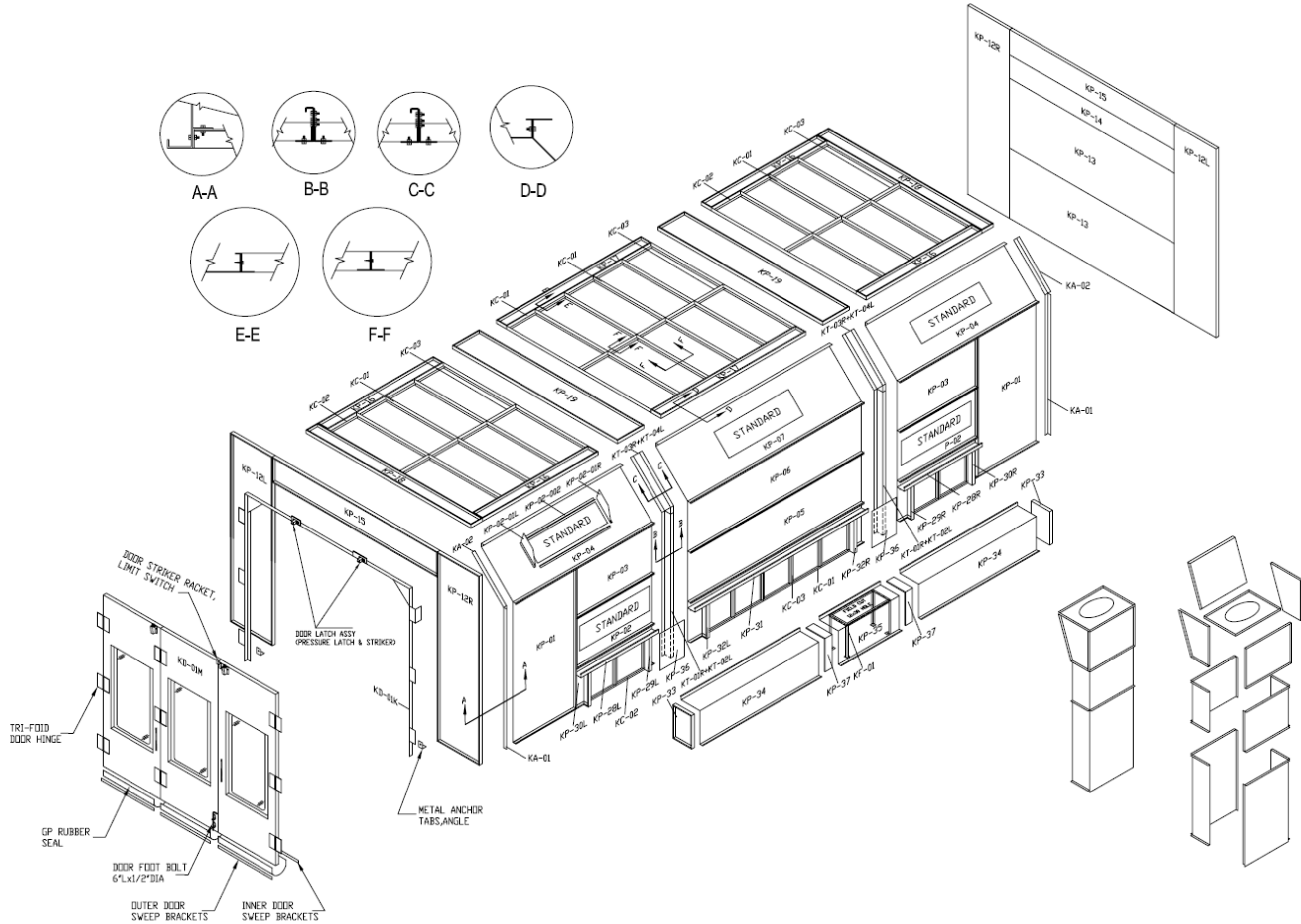
**Detailed BOM List &**

**Assembly Detail Diagrams**

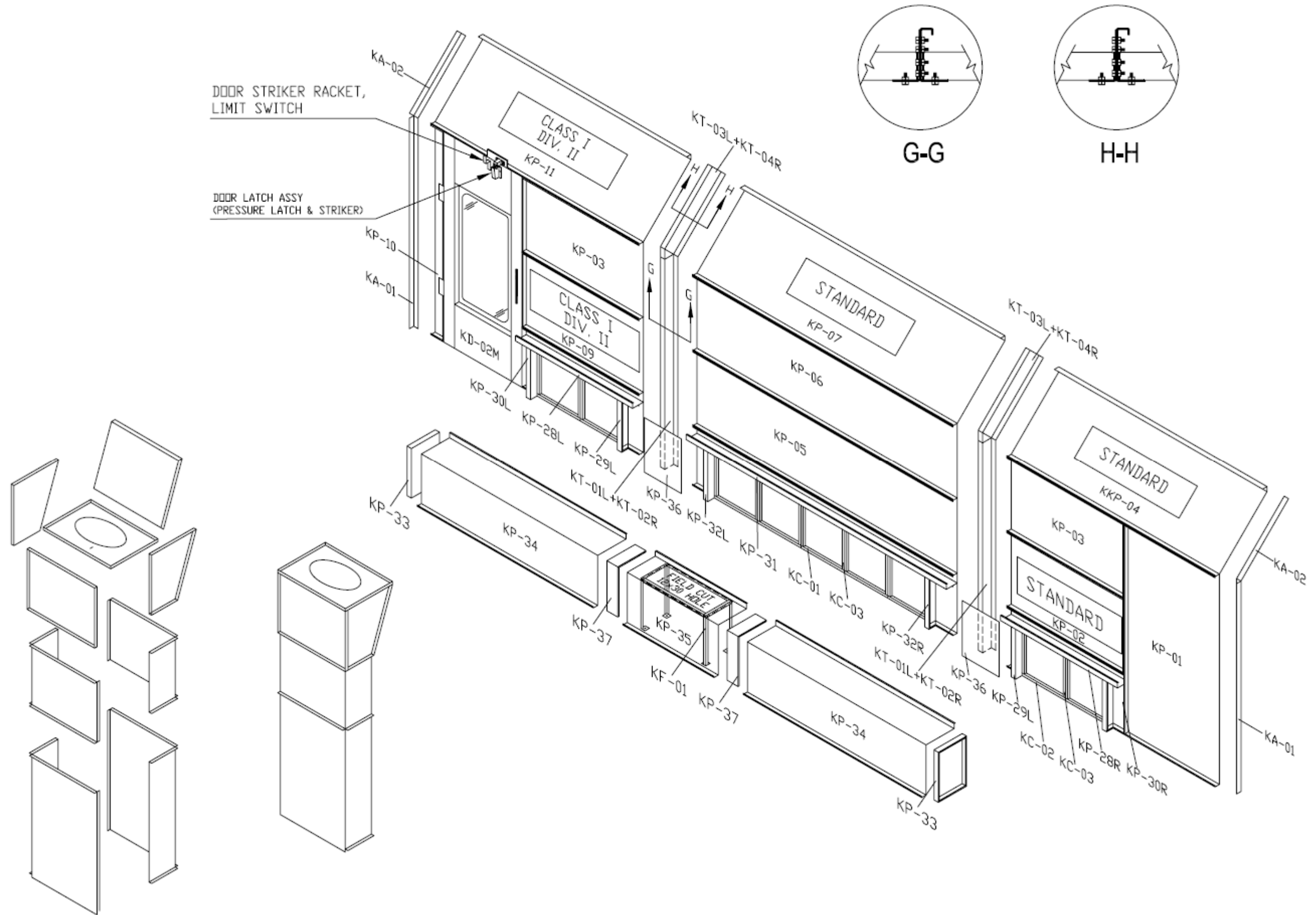
(PSB-SDD26ASY-AK) FLOOR PLAN & ELEVATION DIMENSIONS



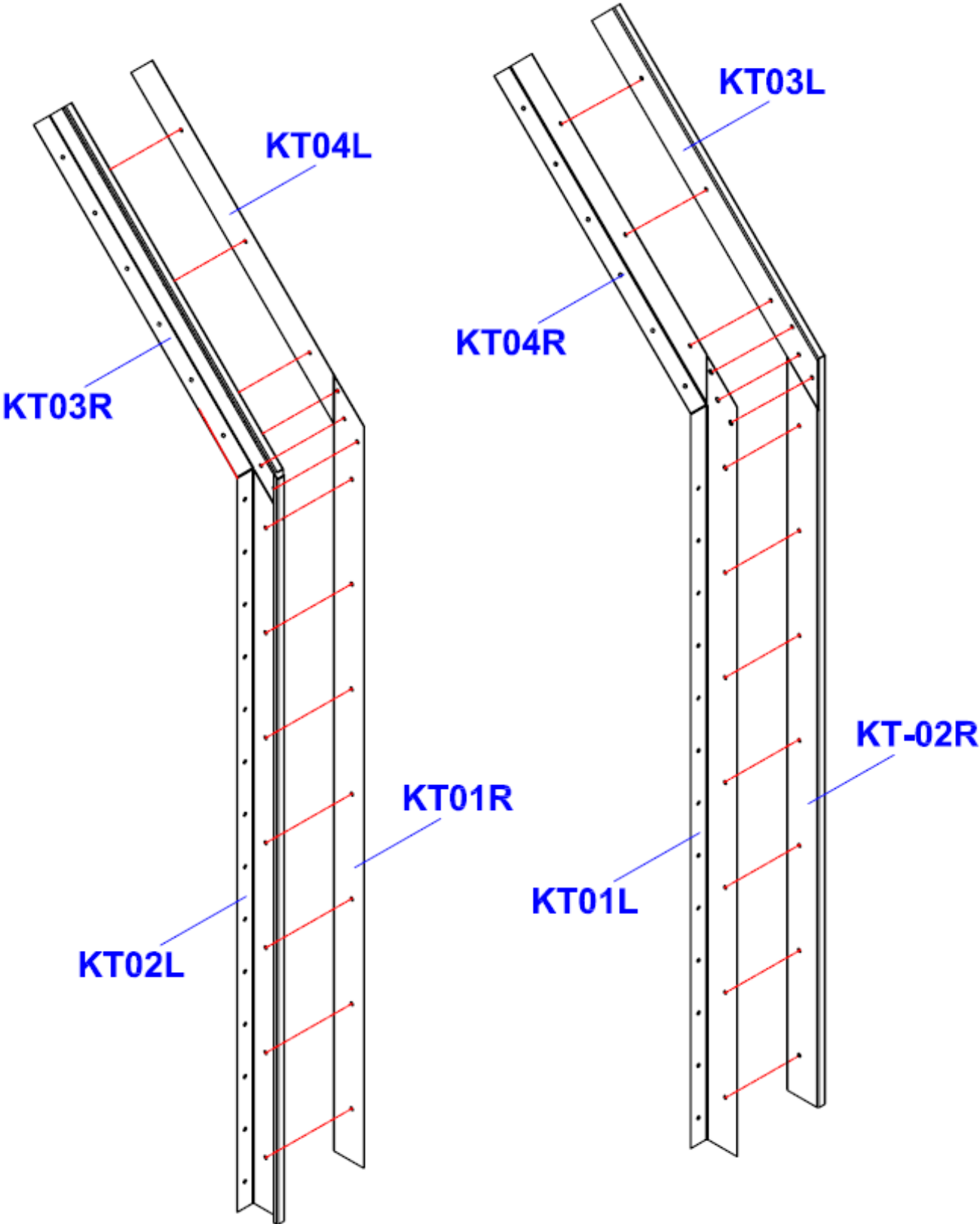
(PSB-SDD26ASY-AK) ISOMETRIC VIEW / RIGHT SIDE



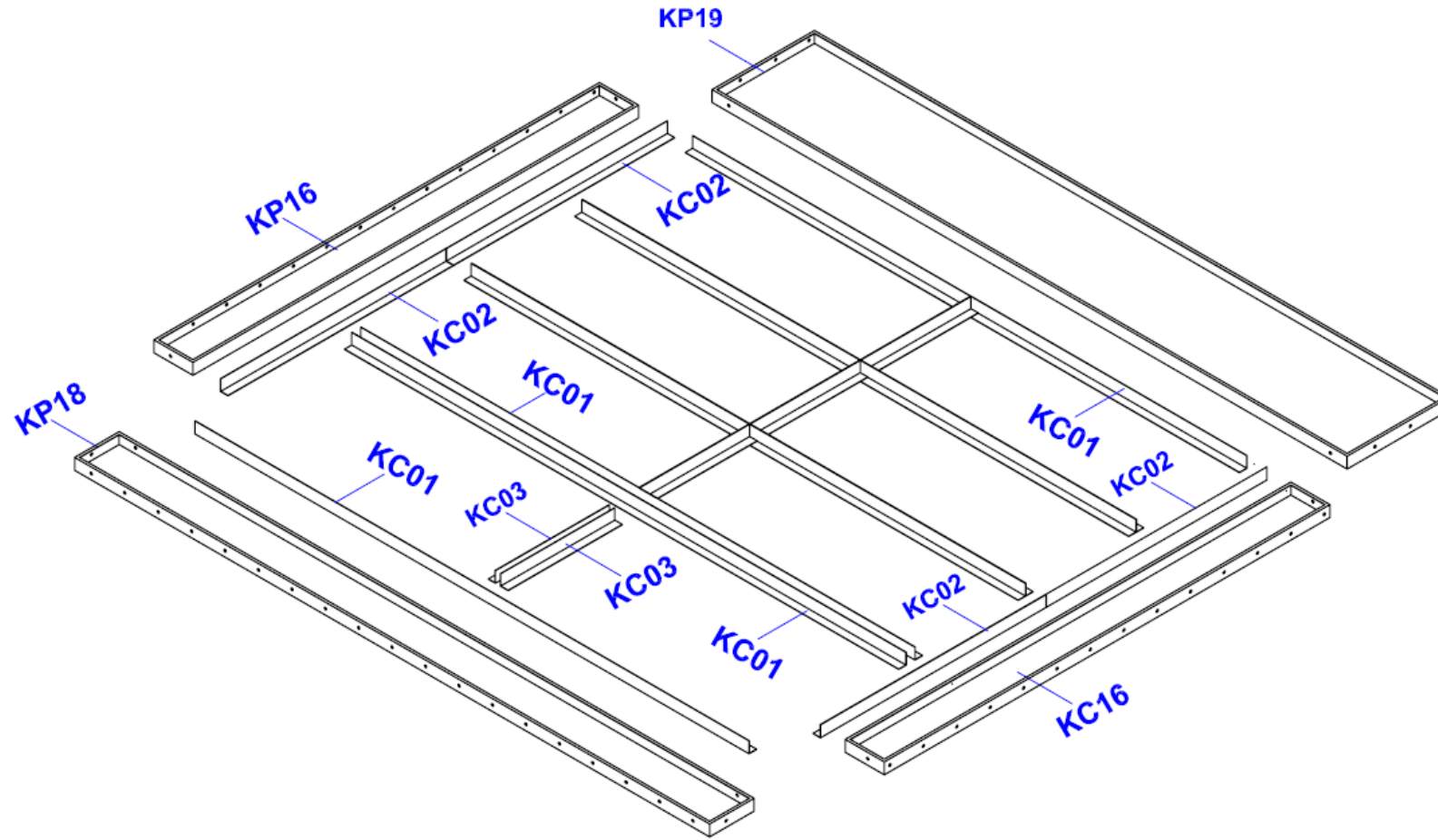
(PSB-SDD26ASY-AK) LEFT SIDE



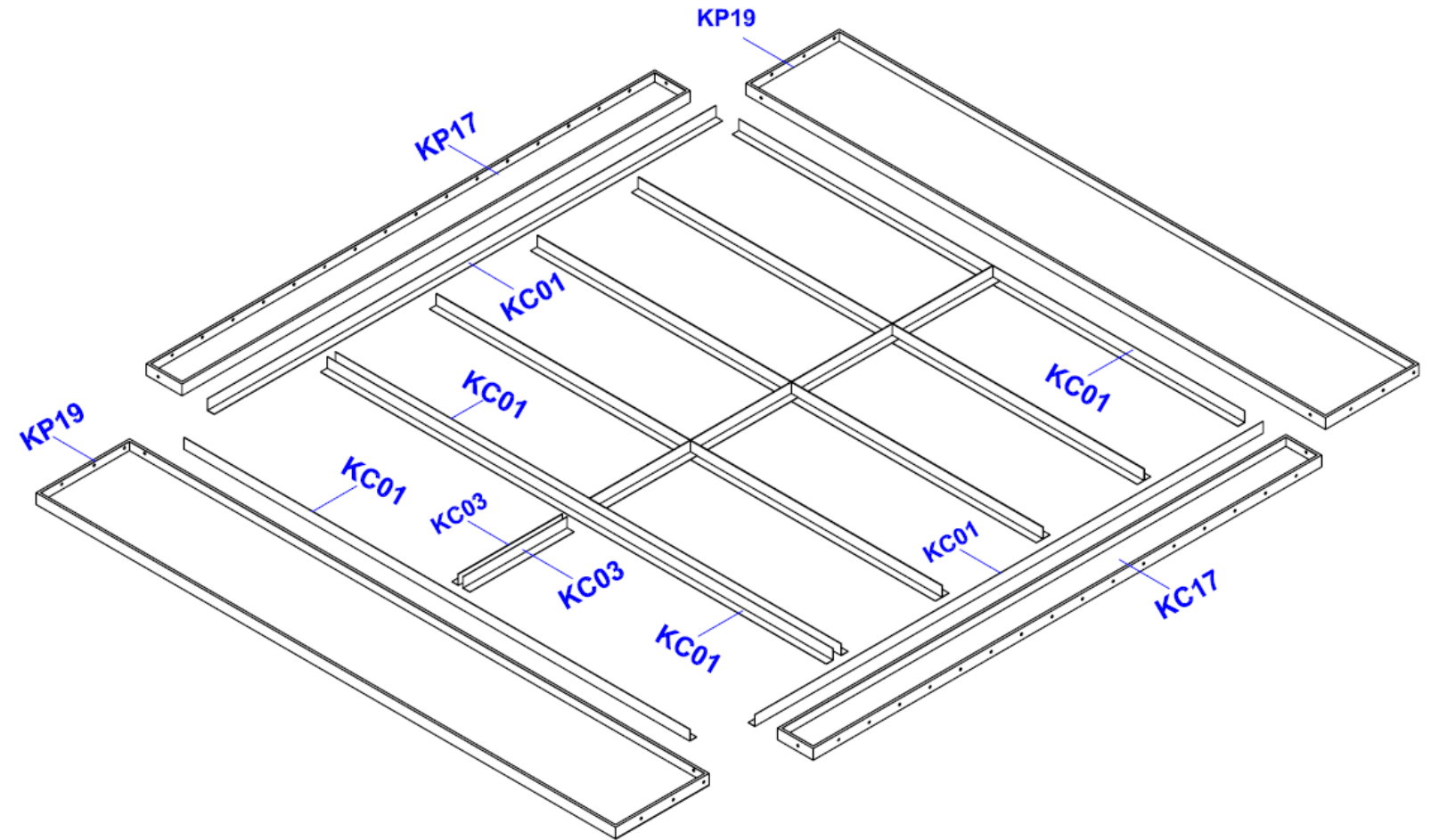
(PSB-SDD26ASY-AK) T-BAR ASSEMBLY DETAILS



(PSB-SDD26ASY-AK) INTAKE FILTER GRIDS

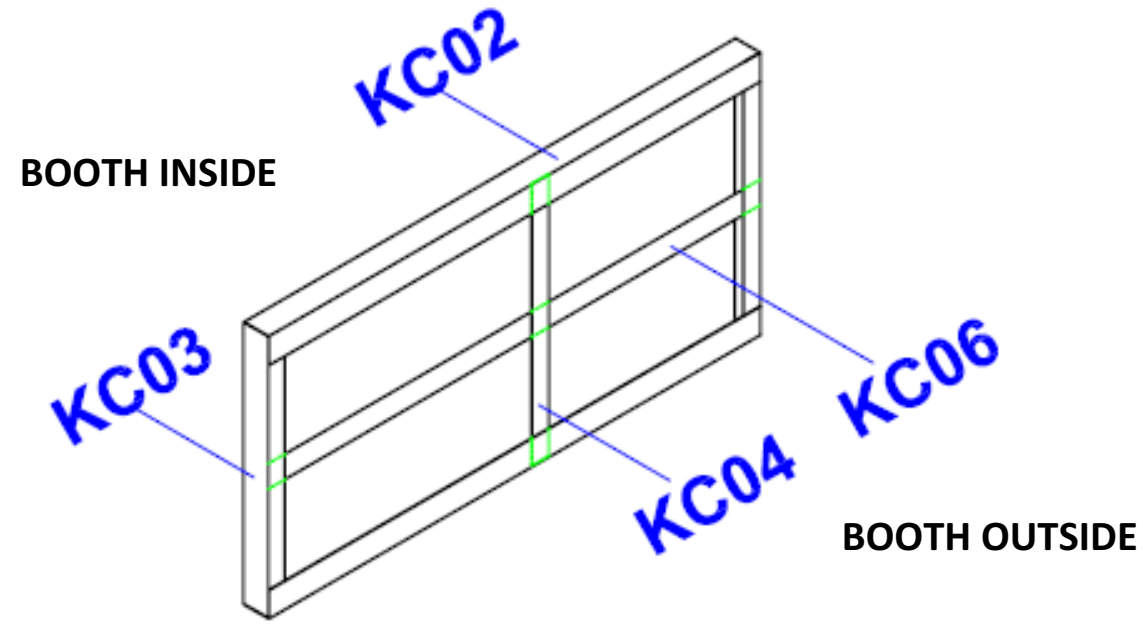


Small Intake Filter Grid – End Sections

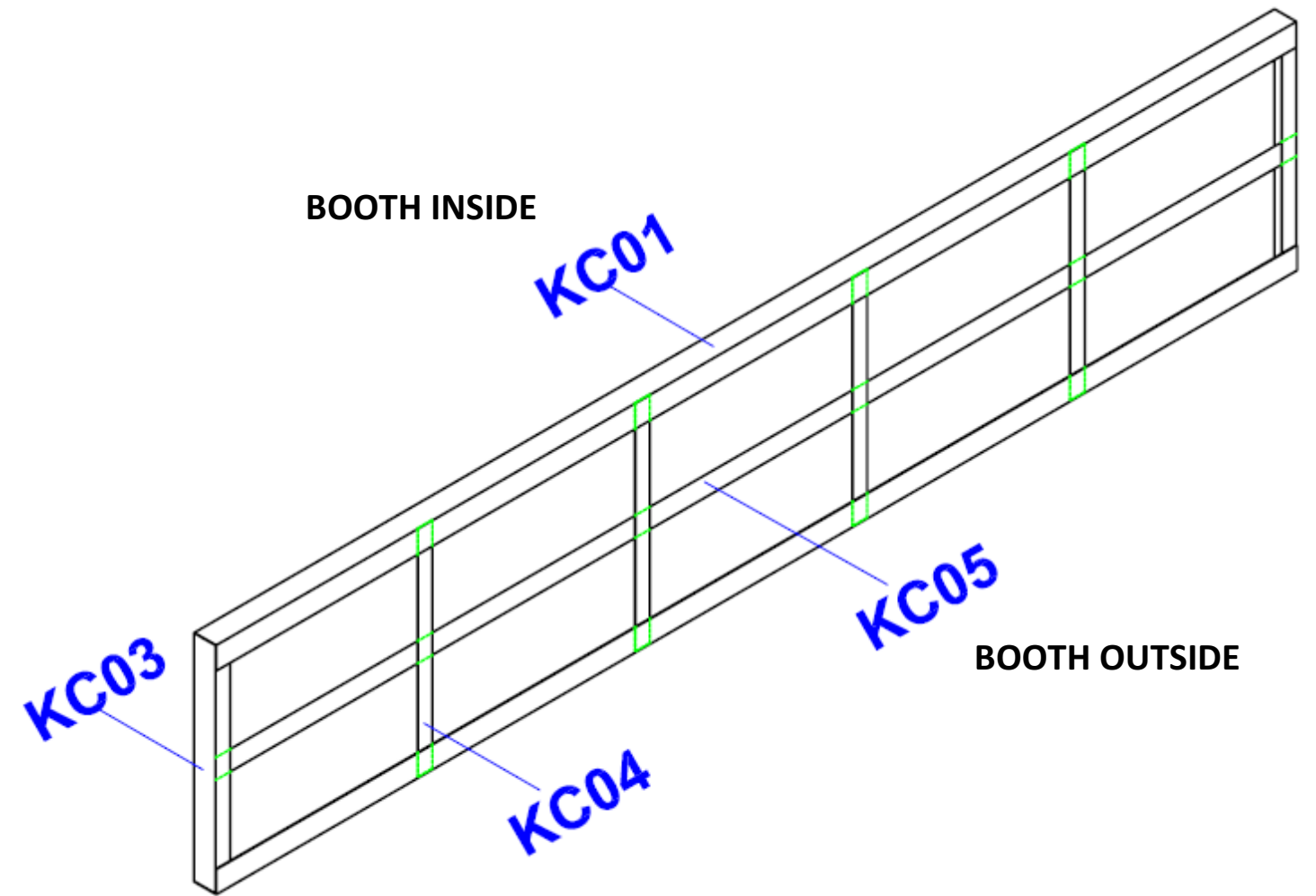


Large Intake Filter Grid – Center Section

(PSB-SDD26ASY-AK) EXHAUST FILTER GRIDS



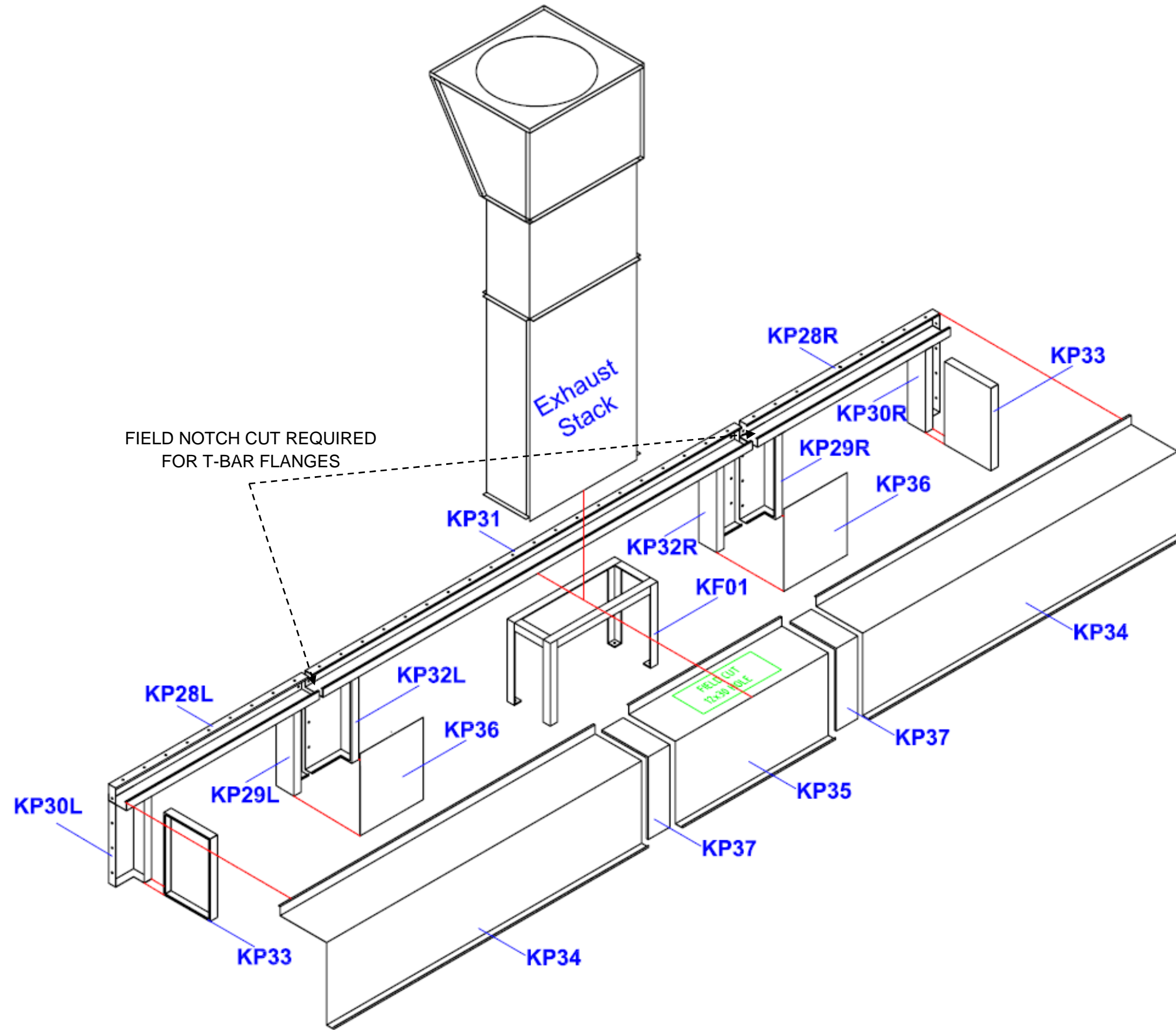
Small Exhaust Filter Grid – End Sections



Large Exhaust Filter Grid – Center Sections

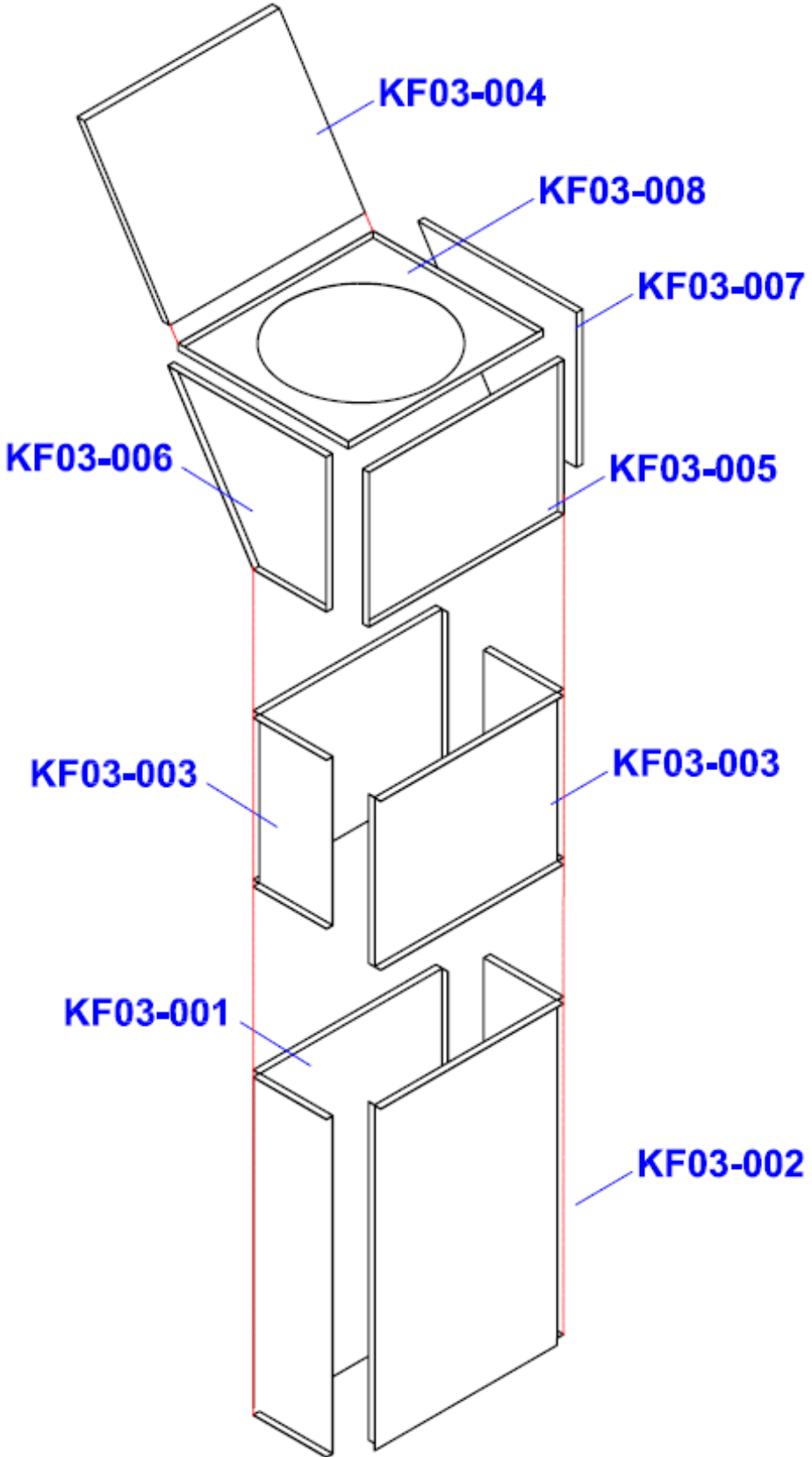


(PSB-SDD26ASY-AK) – SDD EXHAUST CHAMBER

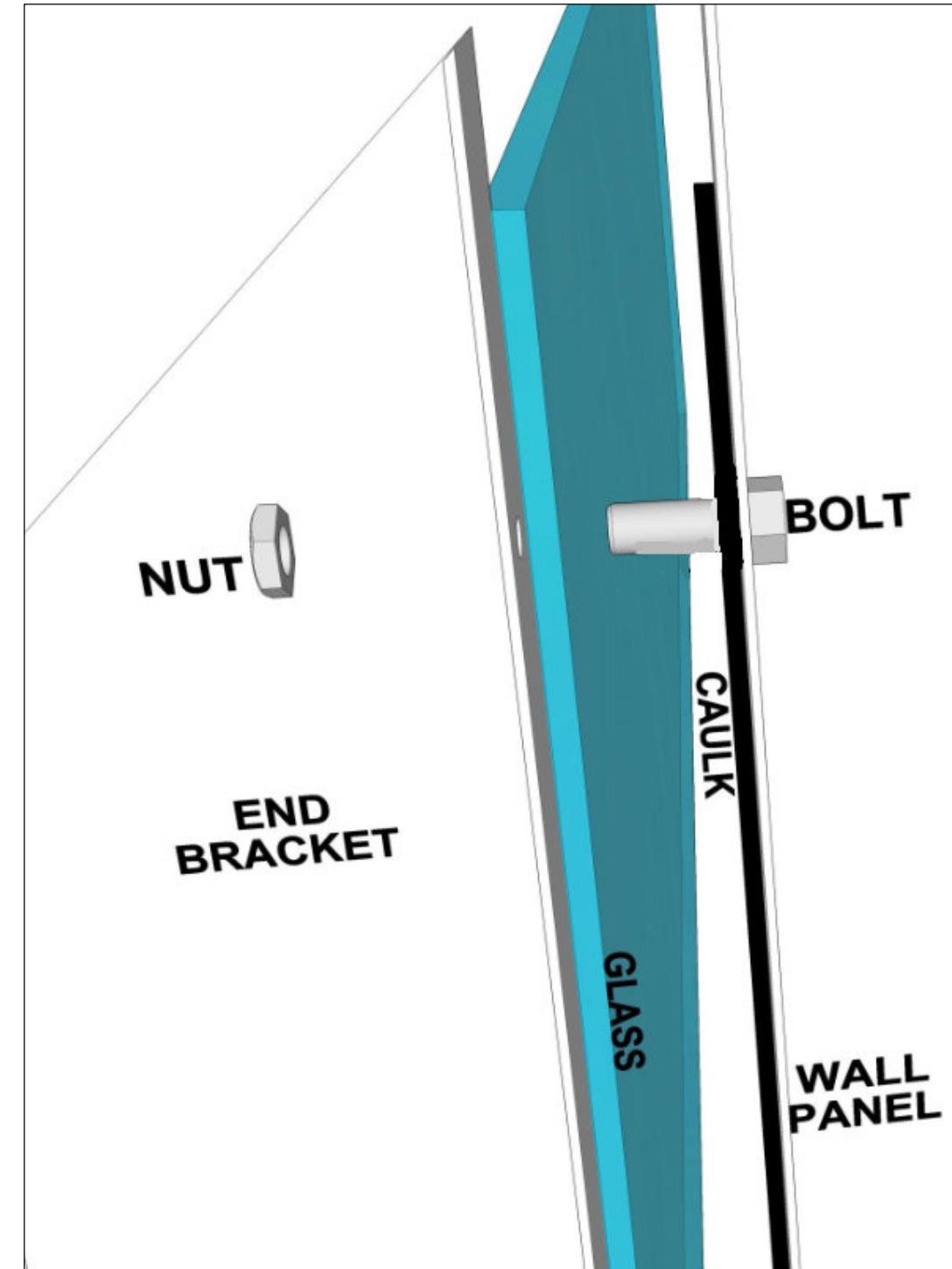
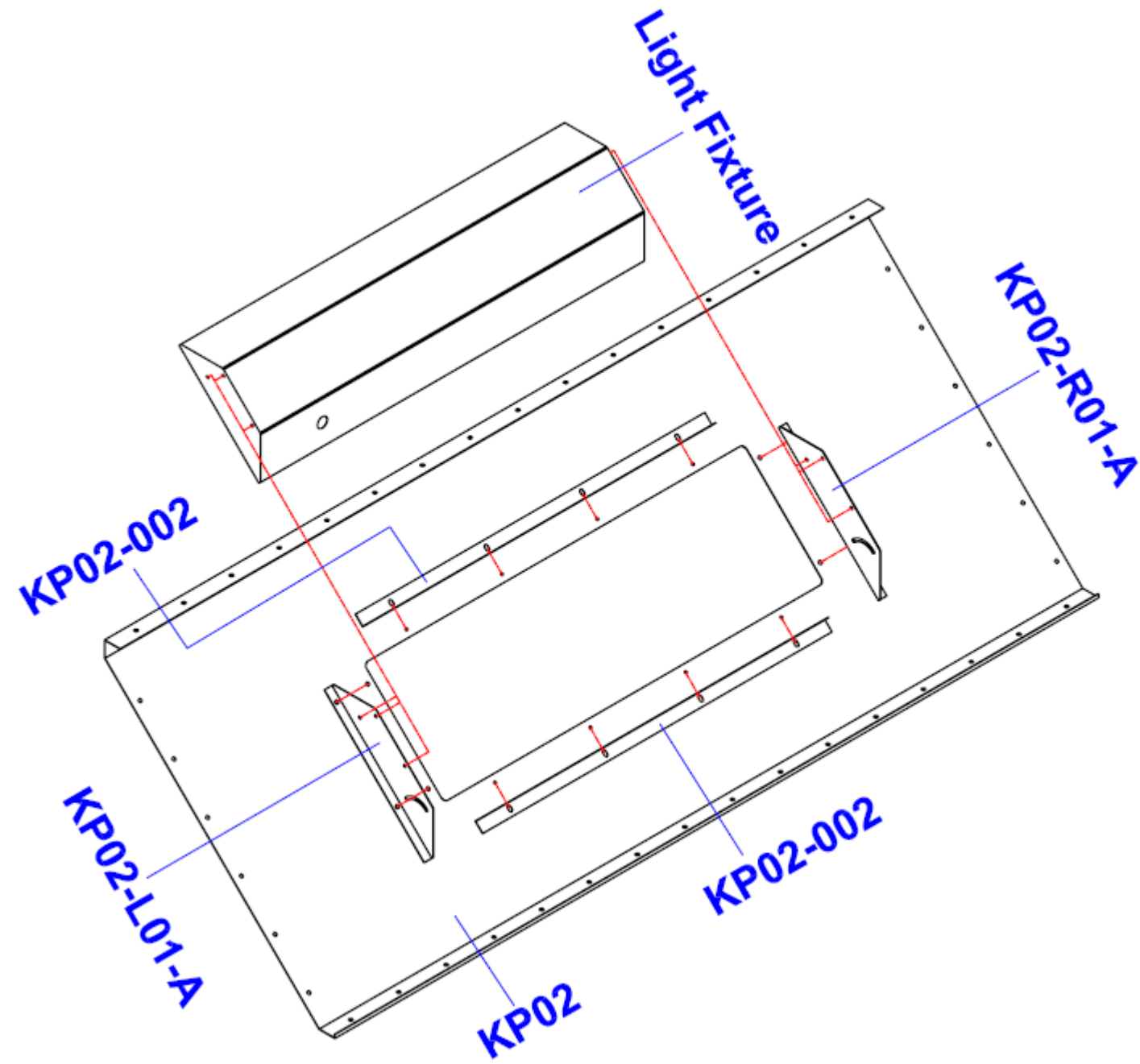




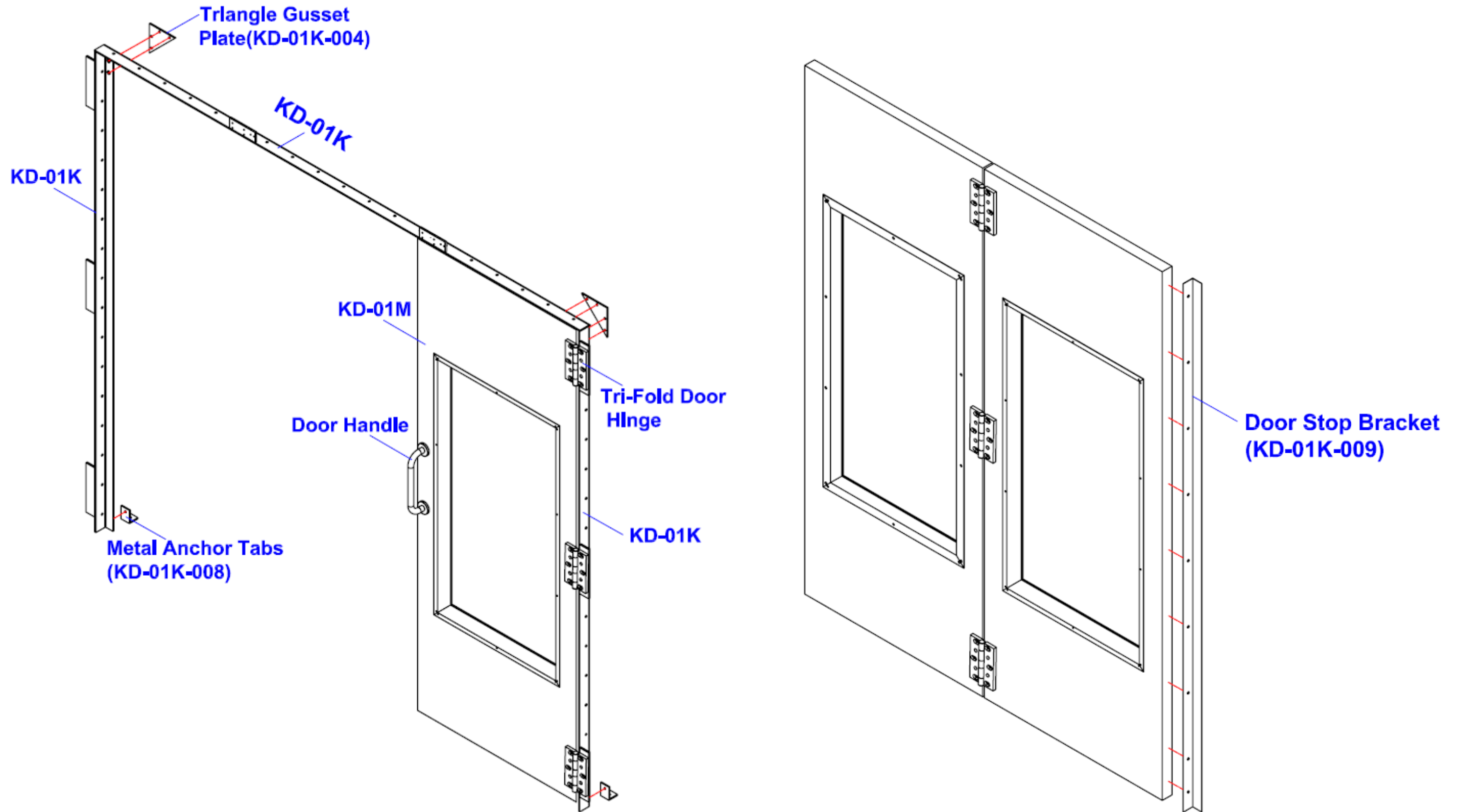
(PSB-SDD26ASY-AK) – SDD EXHAUST CHIMNEY STACK ASSEMBLY



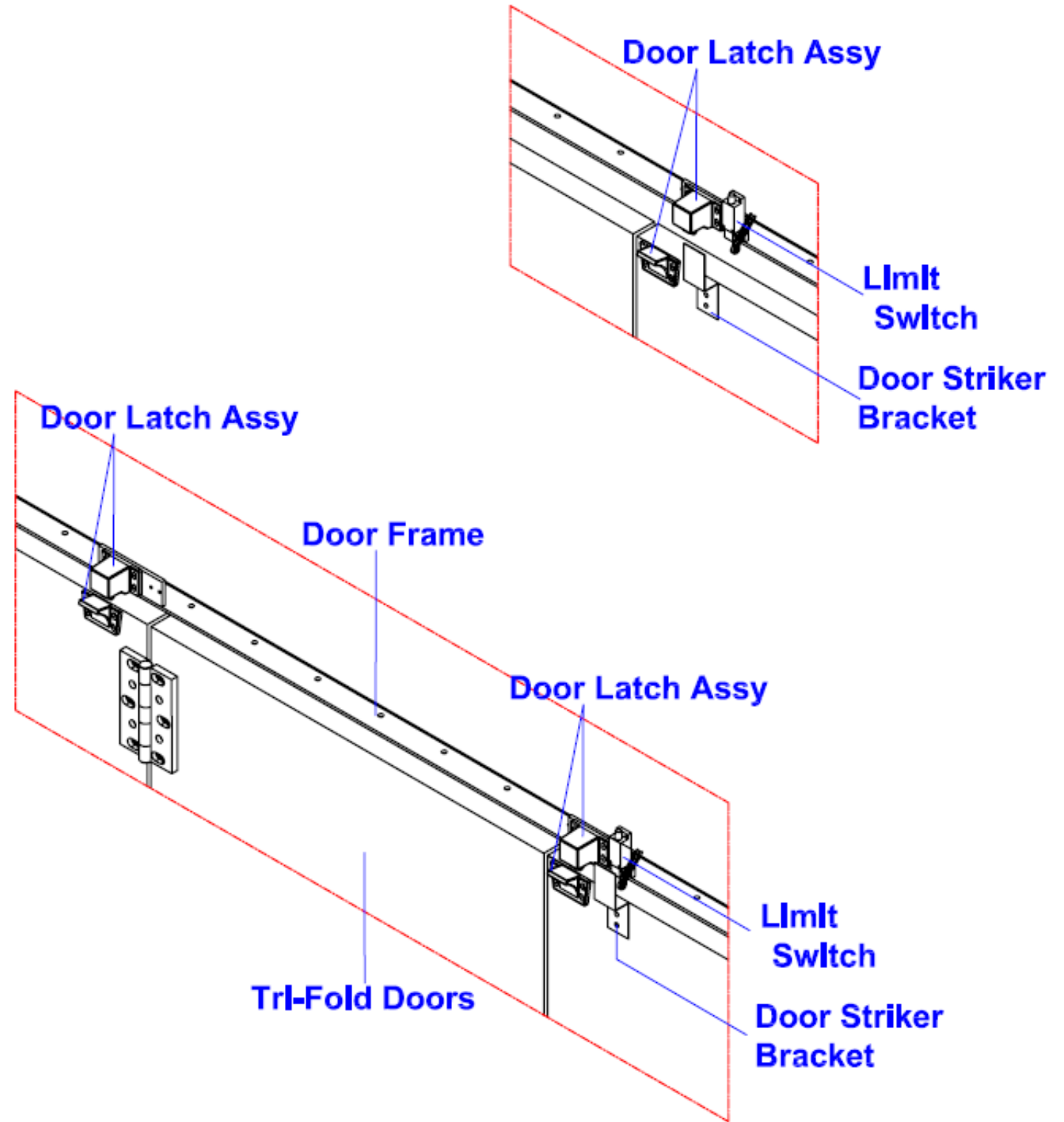
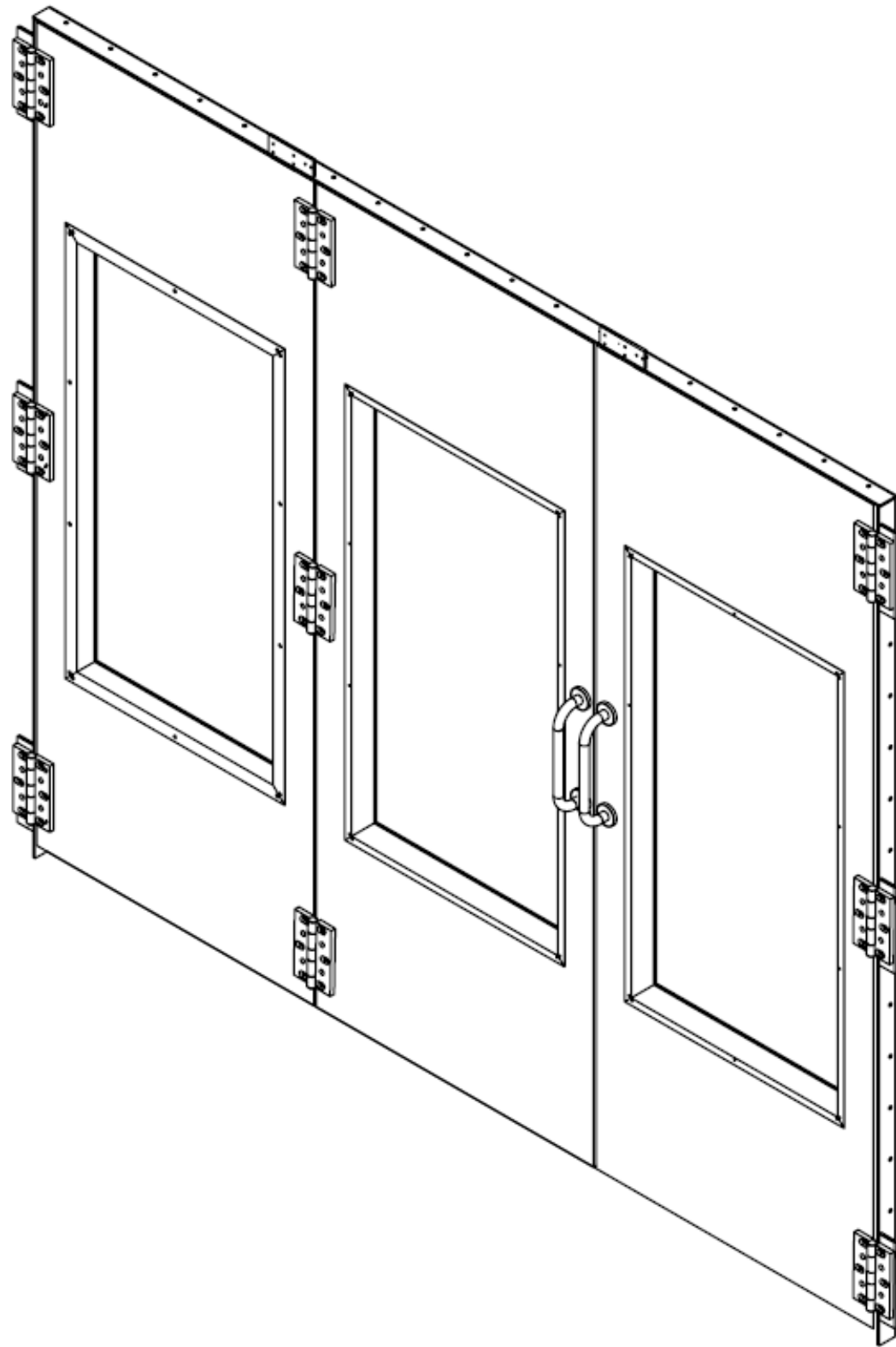
(PSB-SDD26ASY-AK) – STANDARD LIGHT FIXTURE ASSEMBLY



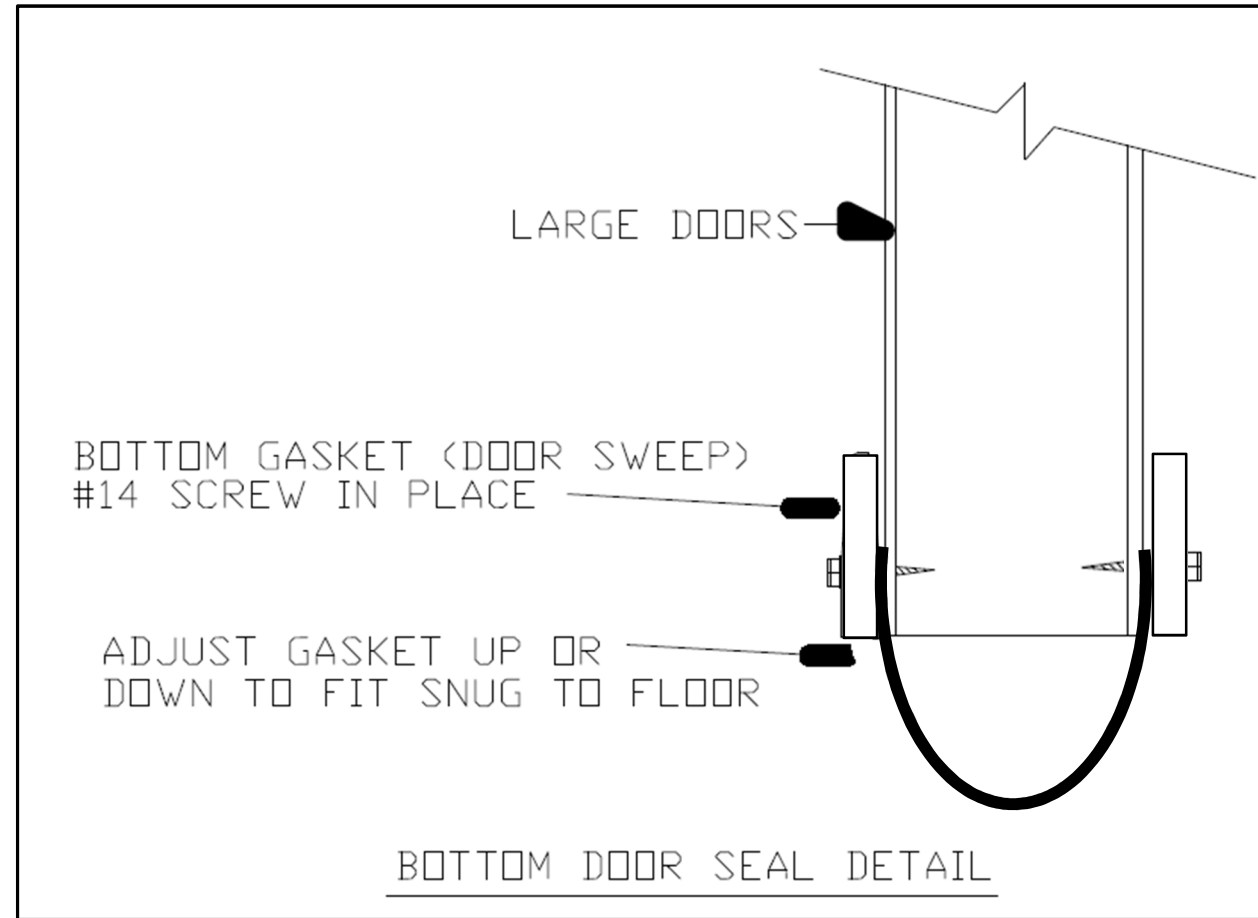
(PSB-SDD26ASY-AK) – TRIFOLD PRODUCT DOOR ASSEMBLY (A)



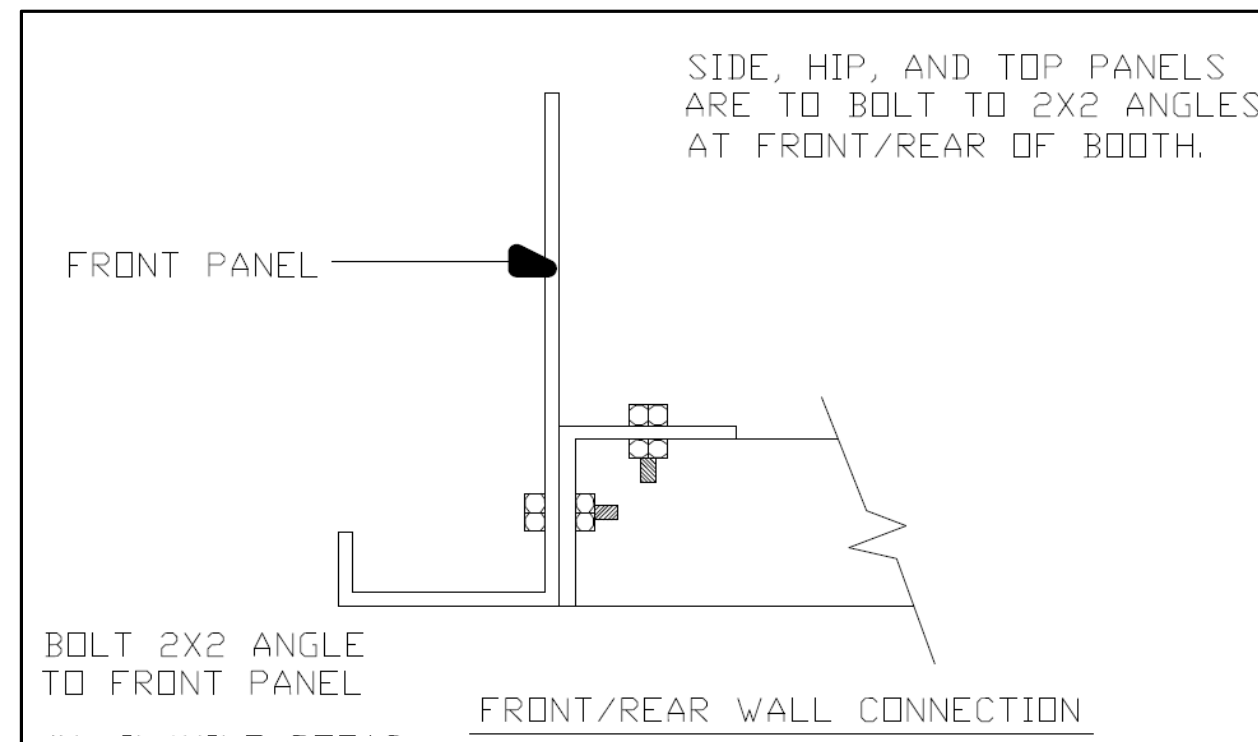
(PSB-SDD26ASY-AK) – TRIFOLD PRODUCT DOOR ASSEMBLY (B)



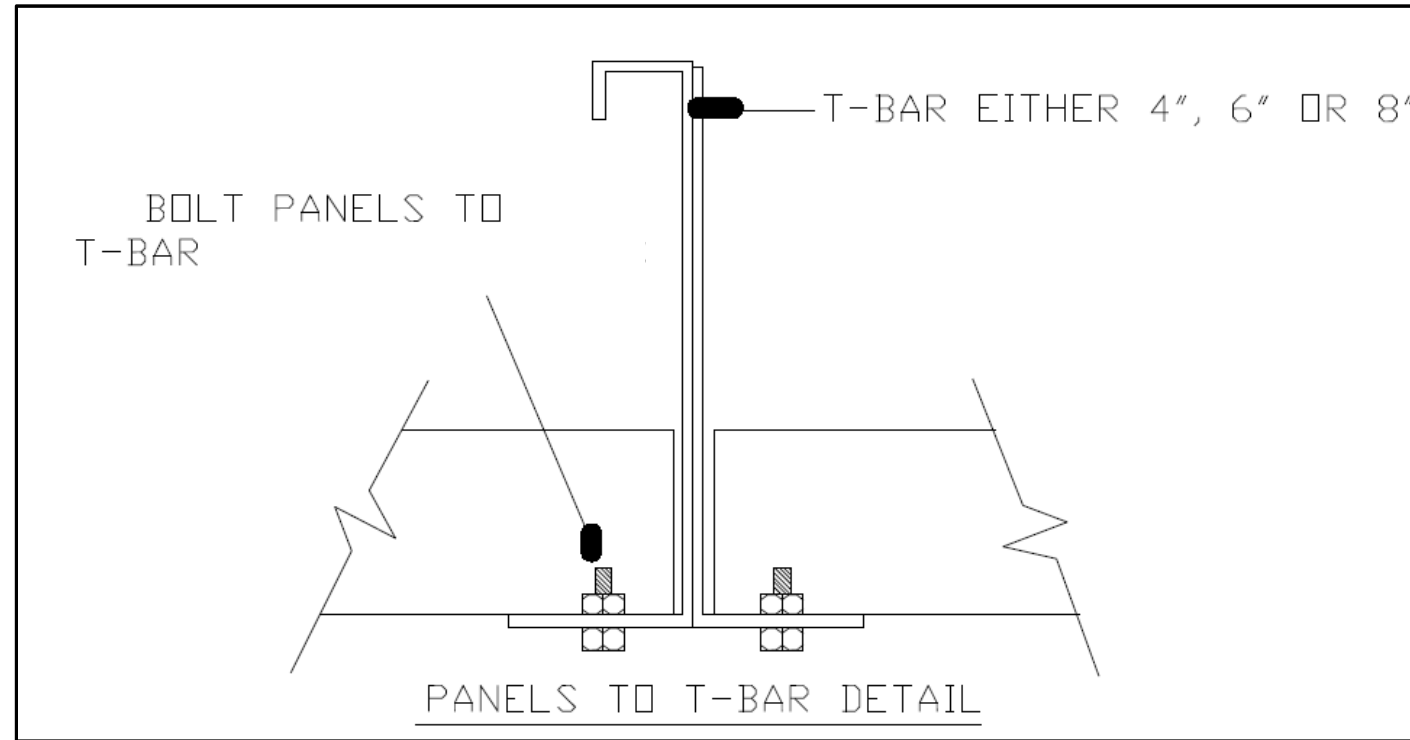
(PSB-SDD26ASY-AK) - DOOR SWEEP DETAIL



(PSB-SDD26ASY-AK) - FRONT/REAR WALL DETAIL



**(PSB-SDD26ASY-AK) – PANELS TO T-BAR DETAIL**



**(PSB-SDD26ASY-AK) - FILTER CELLS TO ROOF PANEL DETAIL**

