

JDI-17PK Pump Kit
For Model JDI-17PLP Low-Profile Drain

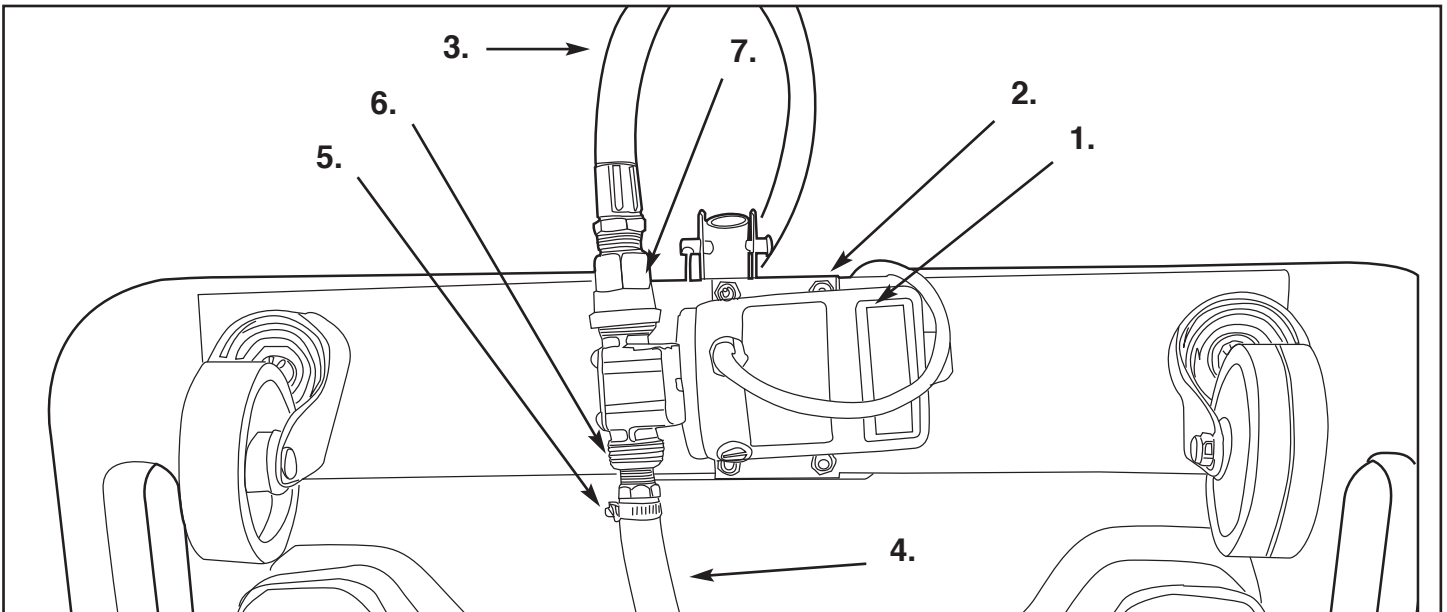
Installation Instructions

1. Attach the hose connector (#7) to the discharge side of the electric pump.
2. Attach the 1/2' hose barb to the inlet side of the electric pump (#6).
3. Install the hose pump to the base plate (shown below) using the four (4) 1/4" nuts and bolts provided.
4. Attach one end of the 1/2" x 8" drain hose (#4) to the 3/8" barbed fitting on the drain body. Secure with a hose clamp.
5. Attach the other end of the 1/2" x 8" drain hose to the barbed fitting on the inlet side of the pump - securing with a hose clamp.
6. Install one end of the 1/2" x 10' (#3) drain hose to the discharge side of the pump.
7. Attach the 1/2" ball valve on the opposite end of the discharge hose.

If the pump kit was purchased with the drain - proceed to Step 7 of the oil drain assembly instructions.

PARTS LIST

JDI Item No.	Description	Qty.	JDI Item No.	Description	Qty.
1. AC-106-10	Electric Pump	1	5. 62606	Hose Clamp	2
2.	Pump Mounting Hardware	4	6. 102-0806	Hose Barb Fitting 1/2" x 3/8"	1
3. 9001-120-1/2	Discharge Hose 1/2" x 10'	1	7. 70815T4	Hose To Pipe Connector 1/2"	1
4. ATD02282	Drain Hose 1/2" x 8"	1	8. 86310-08	Ball Valve 1/2" (Not Shown)	1



IMPORTANT - Always keep 1/2' ball valve on the end of the discharge hose closed until you are ready to empty the tank.

Electric Pump is not self lubricating. DO NOT RUN PUMP DRY!

To Empty The Drain

1. Position the drain next to the used fluid container.
2. Put discharge hose into the container and open the 1/2" ball valve.
3. Plug the electric pump into a 110v outlet and start.
4. When empty, unplug the pump and close the ball valve.

When transporting the drain, keep the electric cord and discharge hose attached to the handle using brackets provided on the handle.